

THIS DRAWING IS UNPUBLISHED. RELEASED FOR PUBLICATION 20  
 © COPYRIGHT 20 BY TYCO ELECTRONICS CORPORATION. ALL RIGHTS RESERVED.

LOC		DIST		REVISIONS				
P	LTR	DESCRIPTION	ECN	DATE	DWN	APVD		
	O	RELEASED	FJ00-1822-01	29AUG2001	N.Y	N.S		
	A	REVISED	FJ00-0565-02	12APR2002	D.M	N.S		
	AI	REVISED	ECR-05-000898	24MAR05	D.M	K.S		

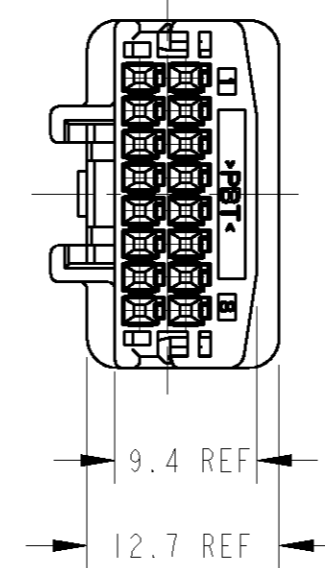
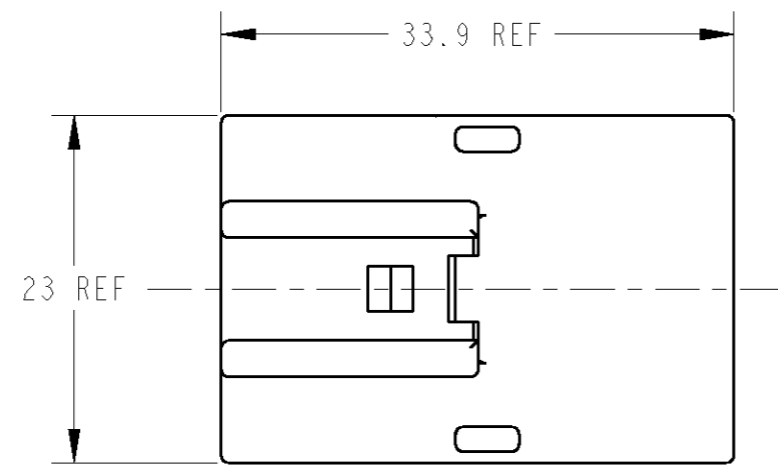
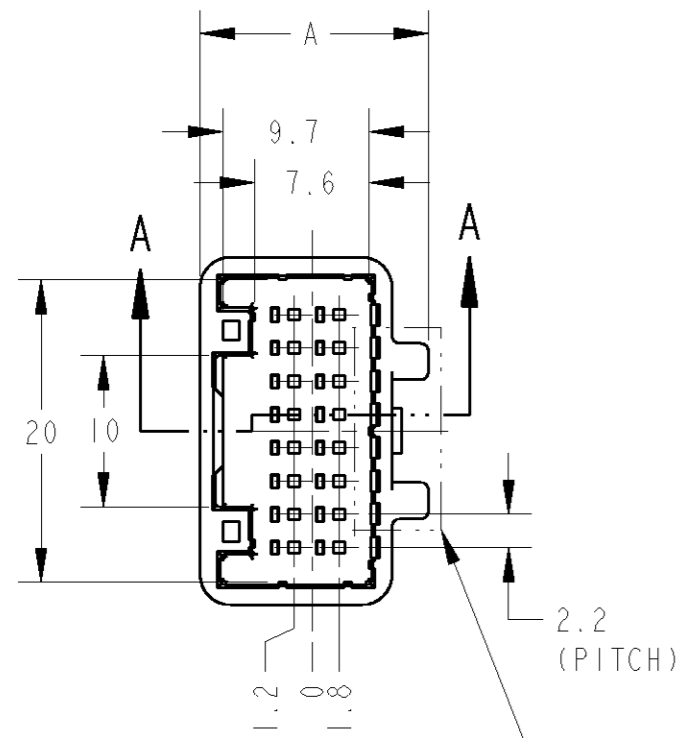
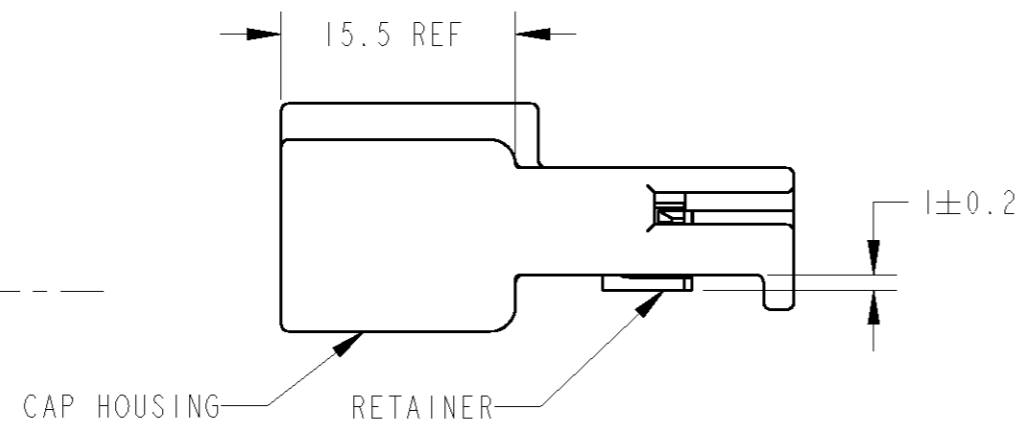
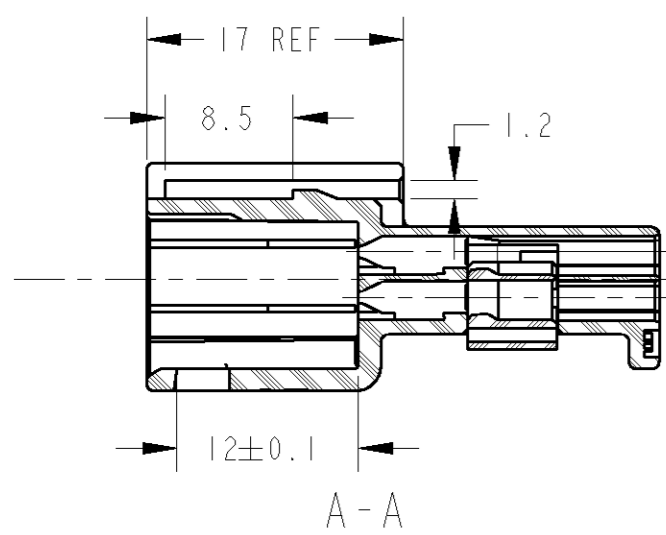


TABLE-3 ⑥

P/N	1473410-1	1473410-2
AA-AA	3, 6.8, 9.2, 11.6, 0.6, 1.2, 2.4	1.8, 6.5, 10.5, 12.5
断面 AA-AA	1.2, 8.5, 15.8, 1.5, 3, 0.5x45°	3.5, 2.5, 6.5, 11, 0.5, 30°0'
	PANEL LOCK TYPE A	PANEL LOCK TYPE B



PART NO.	DIMENSION A 寸法 A	DIMENSION B 寸法 B
1473410-2	15.1 REF	17.0 REF
1473410-1	14.7 REF	16.6 REF

1. キャップハウジングにリテーナを仮係止して出荷される。
2. 仮係止時、リテーナがハウジングの外側に出ていること。
3. 取扱説明書NO. 411-78011
4. 嵌合相手型番; TABLE-1参照
5. 適用端子; TABLE-2参照
- ⑥ 本製品には2種類のパネルロック形状があるTABLE-3参照

1. RETAINER MUST BE SET TO THE PRE-ASSEMBLY POSITION WITHIN THE CAP HOUSING WHEN SHIPPED TO THE CUSTOMER.
2. RETAINER MUST BE OUT SIDE OF CAP HOUSING AT PRE-ASSEMBLY.
3. INSTRUCTION SHEET NO.; 411-78011
4. PART NUMBER OF PLUG HOUSING TO BE MATED; SEE TABLE-1
5. APPLICABLE TERMINAL; TABLE-2
- ⑥ PANEL LOCK VARIATIONS; REFFER TO TABLE-3

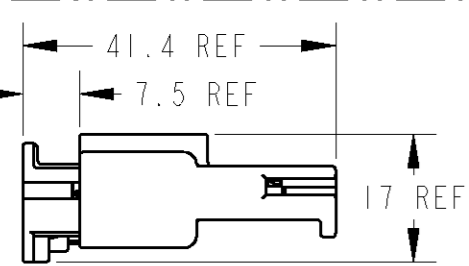
TABLE-1

POS 極数	TERMINATION TYPE 結線方式	PLUG ASSEMBLY PART NO. 嵌合相手型番
16	CRIMP	1318386

TABLE-2

TYPE 端子種類	FINISH 仕上	APPLICABLE TERMINAL P/N	APPLICABLE WIRE RANGE 適用電線
SIGNAL 025	TIN	1674742-1	AVSS/CAVS/CAVUS/AVSSH-f 0.3~0.5mm <sup>2</sup>

PAPER BOX ダンボール箱	PLASTIC BAG ビニール袋	TYPE B	NATURAL	1473410-2
PAPER BOX ダンボール箱	PLASTIC BAG ビニール袋	TYPE A	NATURAL	1473410-1
OUTER 外装	INNER 内装	パネルロックタイプ⑥	COLOR 色	PART NUMBER 型番
PACKING STYLE 梱包形態		PANEL LOCK TYPE		



ENGAGEMENT VIEW  
嵌合状態図  
SCALE 1:1

THIS DRAWING IS A CONTROLLED DOCUMENT FOR TYCO ELECTRONICS CORPORATION. IT IS SUBJECT TO CHANGE AND THE CONTROLLING ENGINEERING ORGANIZATION SHOULD BE CONTACTED FOR THE LATEST REVISION.		DWN N. YASUDA 29AUG2001	Tyco Electronics AMP K.K. Kawasaki, Japan	
DIMENSIONS: 単位: 概 mm		CHK T. KOHNO 29AUG2001	NAME 025 G CONNECTOR 16POSITION CAP HOUSING ASSEMBLY	
TOLERANCES UNLESS OTHERWISE SPECIFIED: 一般公差 ±0.3 0-PLC ±0.5 1-PLC ±0.3 2-PLC ±0.13 3-PLC ±0.013 4-PLC ±0.0001 ANGLES ±1°00'		APVD N. SAI 29AUG2001	DRAWING NO. 114-5340	
MATERIAL 材料 PBT		FINISH 仕上 NATURAL	WEIGHT 4.5g	RESTRICTED TO -
CUSTOMER DRAWING		SCALE A2 2:1	SHEET 1 OF 1	REV A1

# Mouser Electronics

Authorized Distributor

Click to View Pricing, Inventory, Delivery & Lifecycle Information:

[TE Connectivity:](#)

[1473410-1](#)