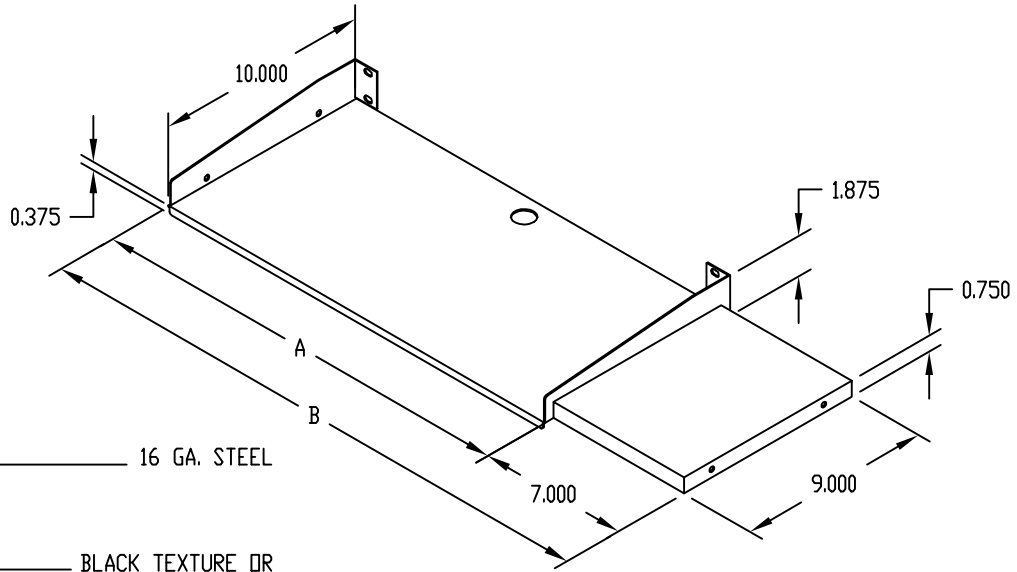


PART NAME

KEYBOARD AND MOUSE SHELF ASSEMBLY

PART No.

SA-1775 AND SA-1776



MATERIAL:

KEYBOARD SHELF AND MOUSE PAD _____ 16 GA. STEEL

FINISH:

KEYBOARD SHELF AND MOUSE PAD _____ BLACK TEXTURE OR METALLIC GRAY

LOAD RATING: 25 LBS. MAX.

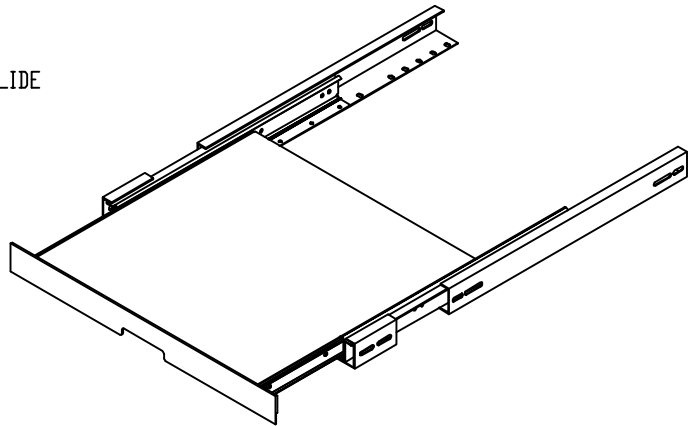
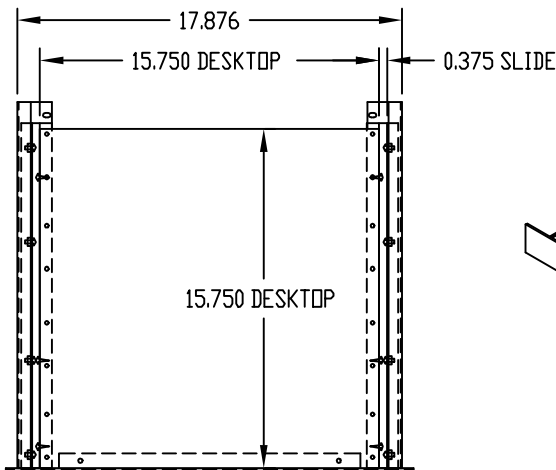
PART No.	PANEL SPACE	A	B
SA-1775	19.000	20.125	27.125
SA-1776	23.000	24.125	31.125

PART NAME

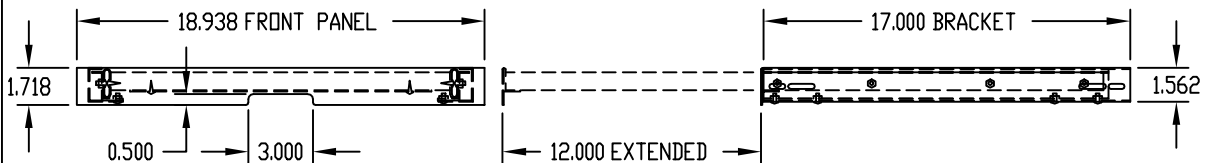
SLIDING DESKTOP

PART No.

60-2361



LOAD RATING: 50 LBS. MAX.



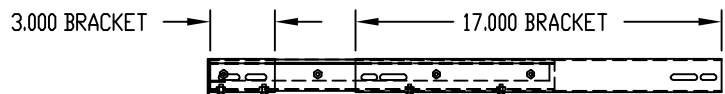
MATERIAL:

PANEL AND BRACKETS _____ 16 GA. STEEL
TOP _____ 3/4" THK. PLASTIC LAMINATE FACED PARTICLE BOARD

FINISH:

PANEL _____ METALLIC GRAY
_____ WHITE TEXTURE
_____ BLACK TEXTURE
BRACKETS _____ SMOOTH BLACK
TOP _____ ANTIQUE WHITE
SLIDES _____ BRIGHT ZINC PLATE

MOUNTING IN 17.000 CLEAR INSIDE DEPTH RACK



MOUNTING IN 20.500, 24.000 AND 29.250 CLEAR INSIDE DEPTH RACK

Mouser Electronics

Authorized Distributor

Click to View Pricing, Inventory, Delivery & Lifecycle Information:

Bud Industries:

[SA-1775-BT](#) [SA-1775-MG](#) [60-2361-BT](#) [60-2361-MG](#) [60-2361-WH](#)