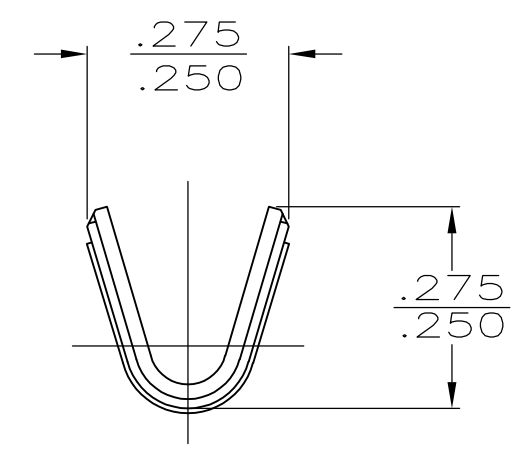
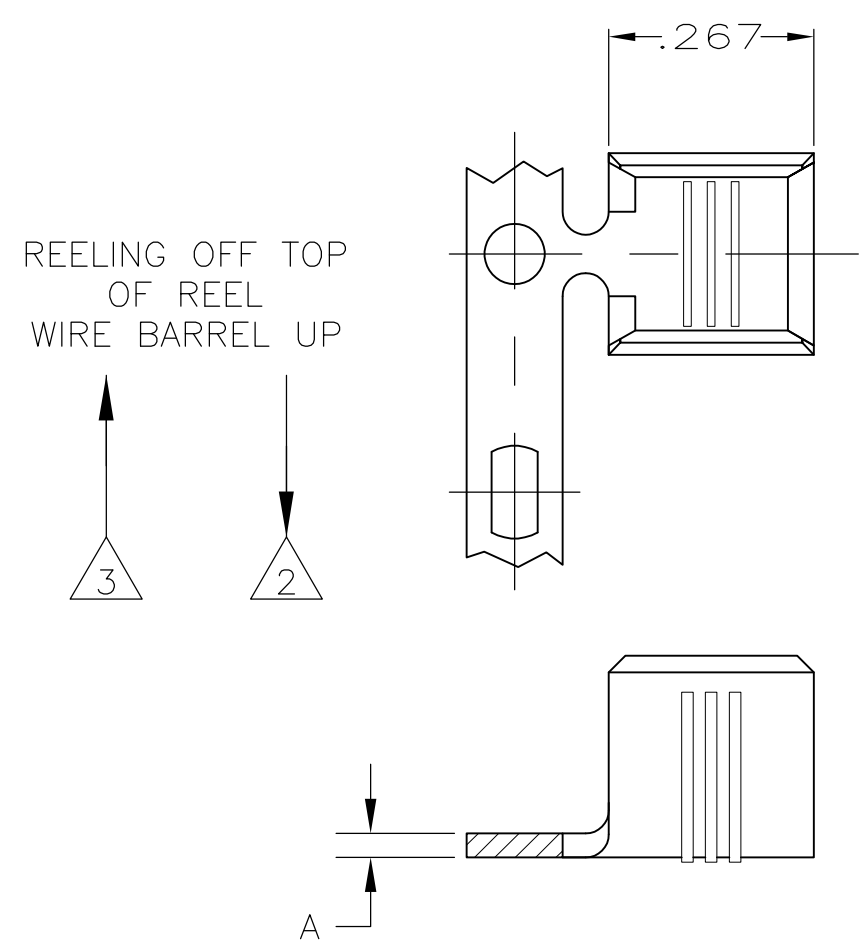


THIS DRAWING IS UNPUBLISHED. RELEASED FOR PUBLICATION
 © COPYRIGHT - By - ALL RIGHTS RESERVED.

LOC	DIST	REVISIONS			
P	LTR	DESCRIPTION	DATE	DWN	APVD
AF	50	S1	REVISED PER ECO-11-005027	11MAR11	RK HMR

- 1 PRODUCT PROVIDED IN STRIP FORM ON REELS;
BREAKS MAY BE PRESENT
- 2 STANDARD REELING.
- 3 REVERSE REELING.
- 4 CRIMP WIDTH: .180 F TYPE
CRIMP HEIGHT: (±.002) = (TOTAL CMA + 28,300) / 289,800
FOR APPLICATOR INFORMATION CALL: 1-800-722-1111
FOR PRODUCT INFORMATION CALL: 1-800-522-6752
- 5 WIRE RANGE FOR NEW APPLICATIONS: 7000-12,000 CMA
(WIRE RANGE APPROVED FOR APPLICATIONS IMPLEMENTED
PRIOR TO 2005: 9000-16,000 CMA).



3	.031±.001	5	TIN	STEEL	61299-8
			NONE	BRASS	61299-3
2	.032±.001	5	TIN	STEEL	61299-2
	.031±.001				61299-1
REELING	A	CMA WIRE SIZE	FINISH	MATERIAL	PART NUMBER

THIS DRAWING IS A CONTROLLED DOCUMENT.

DIMENSIONS: INCHES

TOLERANCES UNLESS OTHERWISE SPECIFIED:

0 PLC	± -
1 PLC	± -
2 PLC	± -
3 PLC	± .010
4 PLC	± -
ANGLES	± -

MATERIAL: SEE TABLE

FINISH: SEE TABLE

DWN: 19DEC2002 MICHAEL S. FEHER

CHK: 19DEC2002 GARY PORTA

APVD: 19DEC2002 GARY PORTA

PRODUCT SPEC: -

APPLICATION SPEC: 114-2088

WEIGHT: -

CUSTOMER DRAWING

SCALE: 4:1

SHEET: 1 OF 1

REV: S1

STE TE Connectivity

SPLICE

SIZE: A3 CAGE CODE: 00779 DRAWING NO: C-61299 RESTRICTED TO: -

Mouser Electronics

Authorized Distributor

Click to View Pricing, Inventory, Delivery & Lifecycle Information:

[TE Connectivity:](#)

[61299-2](#)