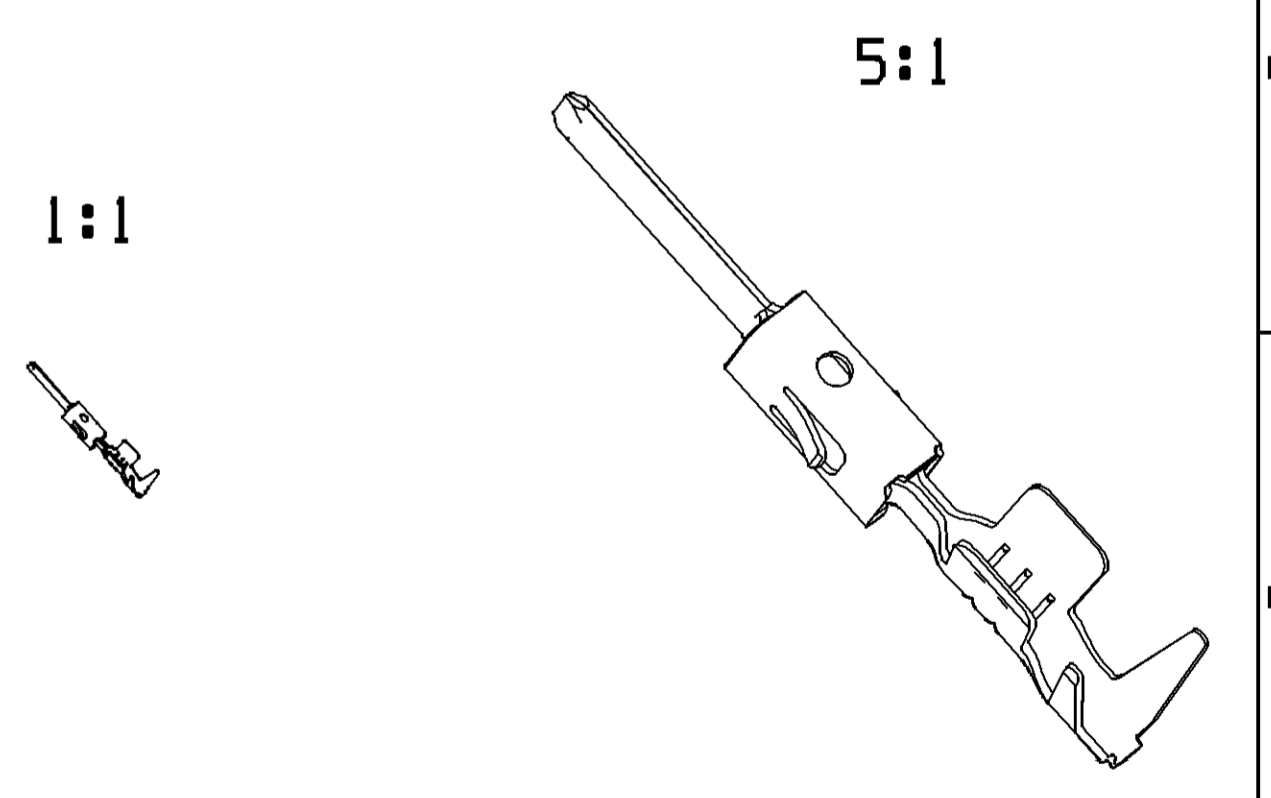
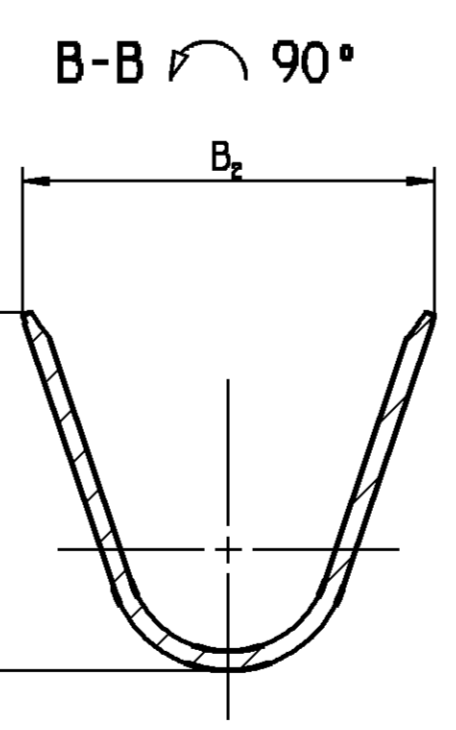
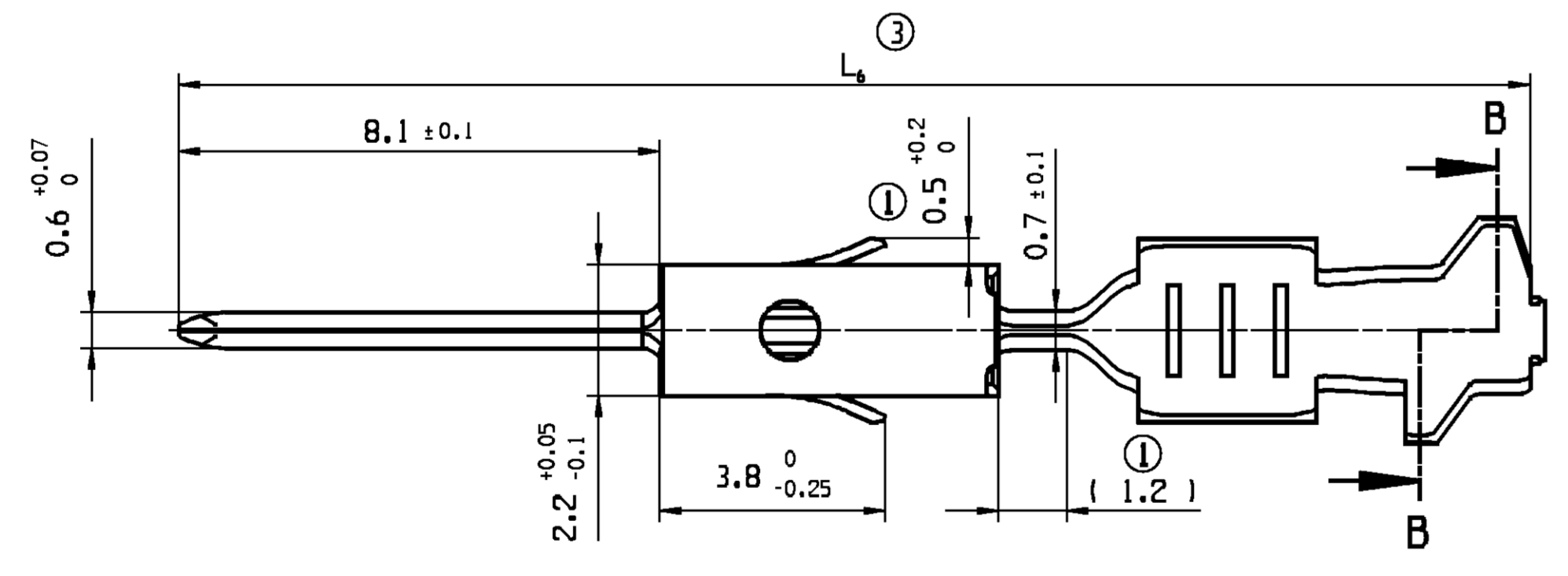
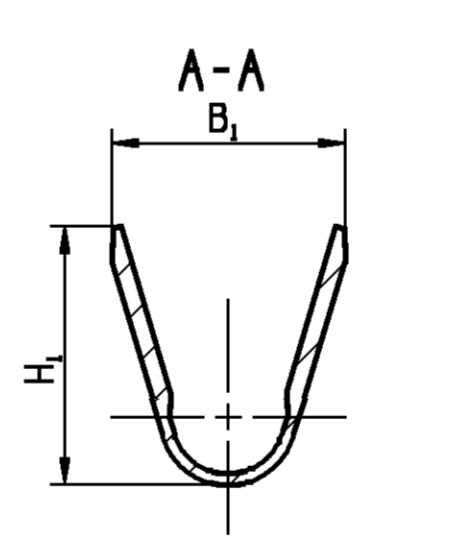
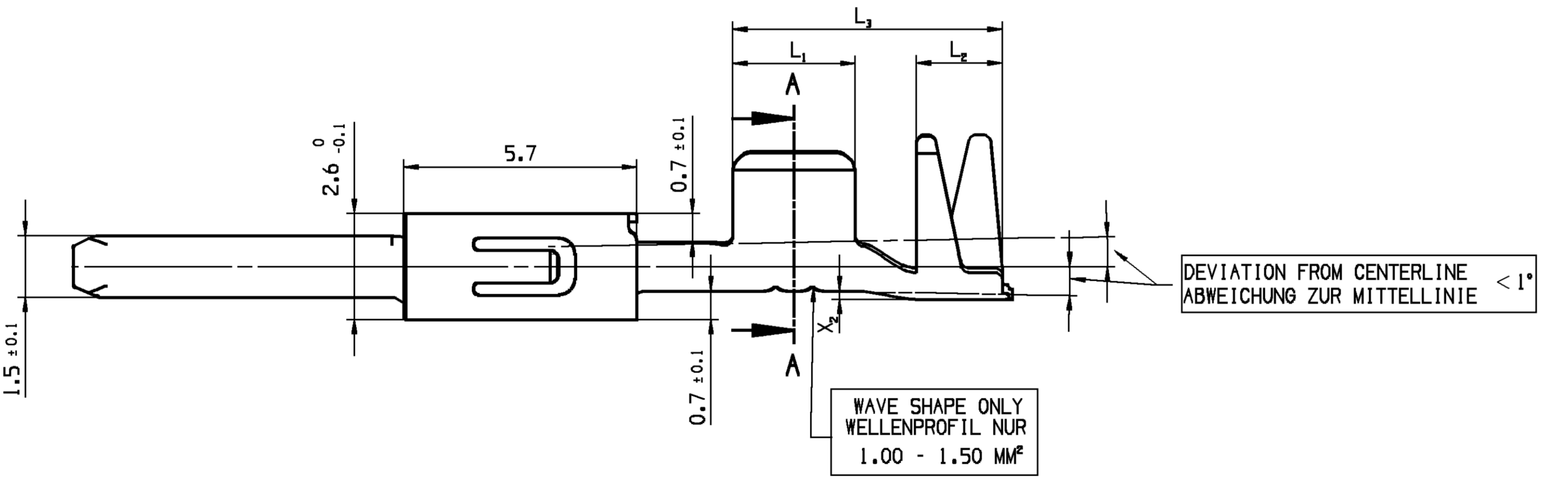
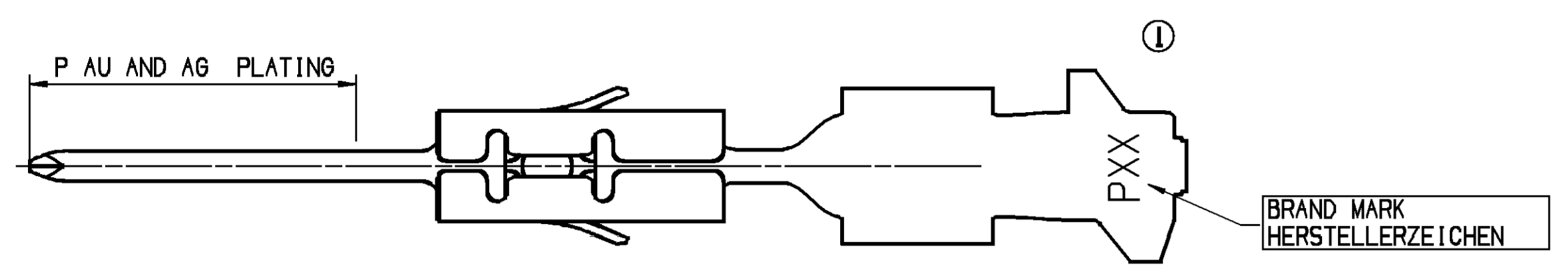
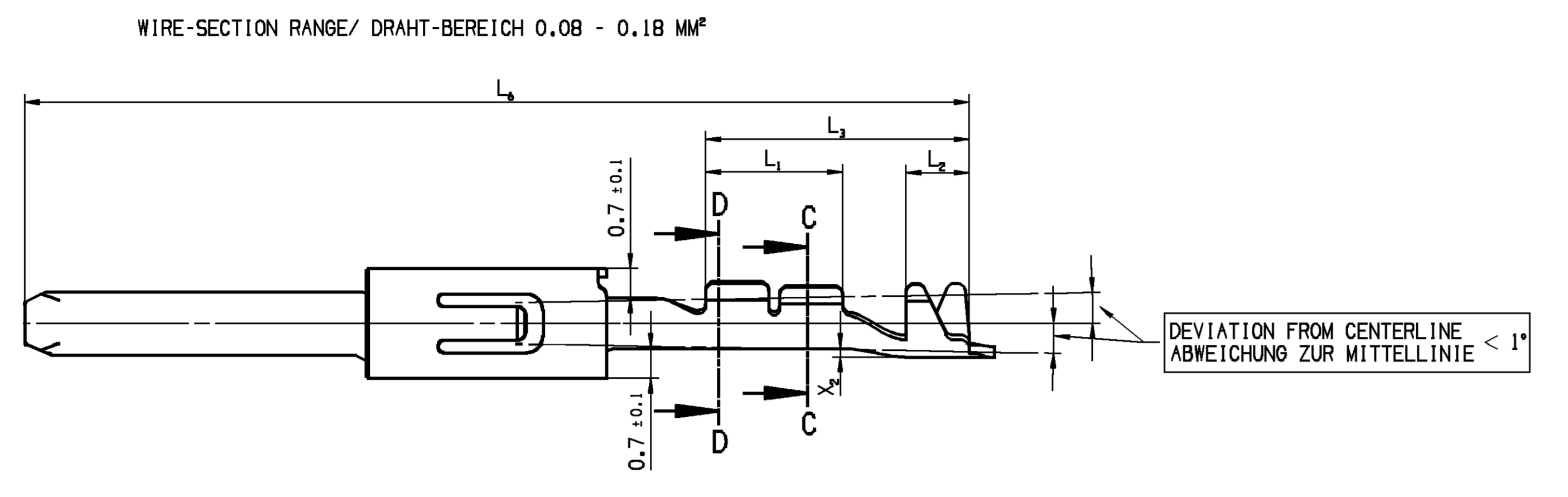


CROSS SECTION QUERSCH. MM²	CABLE LEITUNG Ø	SEAL DICHTUNG CAVITY Ø 3.60	SEAL DICHTUNG CAVITY Ø 4.00
0.35	1.20 - 1.40	15327913	15344938
0.50	1.40 - 1.60	15327913	15344938
0.75	1.70 - 1.90	15327918	15339560
1.00	1.90 - 2.10	15339412	15339560
1.50	2.20 - 2.40	⑤	10720807

X _e ±0.1	L _{0.2}	L ₁ ±0.1	L ₂ ±0.1	L ₃ ±0.1	H ₁ ±0.2	H ₂ ±0.2	H ₃ ±0.2	H ₄ ±0.2	B ₁ ±0.2	B ₂ ±0.2	B ₃ ±0.2	B ₄ ±0.2	CROSS SECTION QUERSCH. MM²	VERSION
0.20	22.40	6.35	1.50	3.25	1.75	1.50	1.60	1.80	1.50	1.60	1.60	1.60	0.08-0.18	UNSEALED
0.20	22.75	6.35	2.00	2.50	2.55	---	---	1.70	2.30	---	---	1.80	0.22-0.35	
0.20	22.75	6.60	2.20	3.00	3.40	---	---	2.55	3.10	---	---	2.40	0.50-0.75	
0.20	22.75	6.60	2.20	3.00	4.00	---	---	3.35	3.75	---	---	3.10	1.00-1.50	
0.20	22.75	6.60	1.60	3.00	3.70	---	---	2.55	3.45	---	---	2.15	0.08-0.18	SEALED
0.80	22.75	6.10	2.10	2.60	4.70	---	---	1.75	5.45	---	---	1.80	0.22-0.35	
0.80	22.75	6.60	2.10	3.00	4.70	---	---	2.55	5.45	---	---	2.40	0.50-0.75	
0.80	22.75	6.50	2.10	3.00	4.70	---	---	3.30	5.45	---	---	3.10	1.00-1.50	

VERSION	CROSS SECTION QUERSCH. MM²	VERSION	CONTACT AREA PLATING BESCHÜTTUNG KONTAKTZONE	P (MIN)	PART-NO.	PART REV	DATE DATUM
UNSEALED	0.08-0.18	---	1.2-2.5 μ SN	6.50	13733481	01	30AP10
		---	0.8μ AU, 2μ NI SUBPLATED	6.50	13968133	01	24MY13
	0.22-0.35	---	③ 1.2-2.5 μ SN	6.50	15396711	01	10MY05
		---	0.8μ AU, 2μ NI SUBPLATED	6.50	15482338	01	10MY05
	0.50-0.75	---	0.8μ AU, 2μ NI SUBPLATED	7.70	13596791	01	28JUL06
		---	1.2-2.5 μ SN	6.50	15396712	01	10MY05
SEALED	1.00-1.50	---	0.8μ AU, 2μ NI SUBPLATED	6.50	15482339	01	10MY05
		---	0.8μ AU, 2μ NI SUBPLATED	7.70	13596792	01	28JUL06
	---	1.2-2.5 μ SN	6.50	15482337	01	10MY05	
	---	0.8μ AU, 2μ NI SUBPLATED	6.50	15482340	01	10MY05	
	---	1.2-2.5 μ SN	6.50	15396713	01	10MY05	
	---	0.8μ AU, 2μ NI SUBPLATED	6.50	15482341	01	10MY05	
SEALED	0.22-0.35	M	1.2-2.5 μ SN	6.50	15482323	01	10MY05
		M	0.8μ AU, 2μ NI SUBPLATED	6.50	15482326	01	10MY05
	M	2μ AG, 1μ NI SUBPLATED	6.50	13894108	01	27JUL11	
	M	2μ AG, 1μ NI SUBPLATED	6.50	33118031	01	18SE13	
	M	1.2-2.5 μ SN	6.50	15482324	01	10MY05	
	M	1.2-2.5 μ SN	6.50	33118034	01	18SE13	
0.50-0.75	M	0.8μ AU, 2μ NI SUBPLATED	6.50	15482327	01	10MY05	
	M	2μ AG, 1μ NI SUBPLATED	6.50	13894085	01	27JUL11	
1.00-1.50	M	2μ AG, 1μ NI SUBPLATED	6.50	33120088	01	18SE13	
	M	1.2-2.5 μ SN	6.50	15482325	01	10MY05	
M	0.8μ AU, 2μ NI SUBPLATED	6.50	15482328	01	10MY05		
M	2μ AG, 1μ NI SUBPLATED	6.50	13894097	01	27JUL11		

DATE	REV	BY	CHKD	ZONE	REVISION HISTORY	AUTH	DR	APVD
10MY05	R	01	AA	G7	INITIAL RELEASE FREIABE		FRIMM	CVASAR.WIS.
12AU05	R	01	AB	CB	DIN./ MASS 6.35 W5/ W6 6.40/ 15 REMOVED/ ENTFERNT		FRIMM	CVASAR.WIS.
12AU05	R	01	AC	E6	DIN./ MASS 81.289 W5/ W6 1.240.2		FRIMM	CVASAR.WIS.
12AU05	R	01	AD	C9	ATTRIBUTIVE HOLE ADDED EIGENSCHAFT BOHRUNG HINZU		FRIMM	CVASAR.WIS.
28JUL06	R	02	AA		DIN./ MASS 6.540.2 ADDED/ HINZU		FRIMM	CVASAR.WIS.
17JUL07	R	02	AA		PART-NO./ TEILE-NR. 13967911; 13596792 ADDED/ HINZU		FRIMM	CVASAR.WIS.
17NOV08	R	02	AB	F9	MATH. MODEL REVISED WITH. MODEL AKTUALISIERT		FRIMM	P.GUT.MITCHA.
04DEC08	R	02	AC	H5	CROSS-SECTION QUERSCHNITT 0.13-0.35 W5/W6 0.22-0.35		K.BOR	RED. MITCHA.
30AP10	R	03			PART-NO./ TEILE-NR. 13733481 ADDED/ HINZU NEW DRAWING FORWARD KESSEL STROMABSPERRSTREIFEN CROSS-SECTION QUERSCHNITT 0.22-0.35 W5/ W6 0.13-0.35		FRIMM	GUT SYS
16NOV10	R	03	AA	C12 M12	DIN./ MASS L6 W5/ W6 22.75		FRI	GUT SYS
27JUL11	R	04		L4	PART-NO./ TEILE-NR. 13894108, 13894085, 13894097 ADDED/ HINZU		FRI	GUT SYS
24MY13	R	05		4	13894108; 33118031; 33118032; 33118034; 33120088 ADDED/ HINZU RI: R2 REMOVED/ ENTFERNT			
	R			L11	SEAL/ DICHTUNG 15470866 REMOVED/ ENTFERNT		PHIL	FRI



DELPHI
DELPHI CORPORATION
TROY, MI 48068

COPYRIGHT DELPHI CORPORATION AND/OR ITS AFFILIATES. ALL RIGHTS RESERVED.

THIS DRAWING IS THE PROPERTY OF DELPHI CORPORATION AND CONTAINS DELPHI CONFIDENTIAL INFORMATION. THE REPRODUCTION, DISTRIBUTION AND UTILIZATION OF THIS DOCUMENT OR ITS CONTENTS OR PARTS THEREOF, AS WELL AS COMMUNICATION OF ANY CONTENT TO OTHERS, WITHOUT EXPRESS AUTHORIZATION, IS PROHIBITED.

DESE ZEICHNUNG IST EIGENTUM DER FIRMA DELPHI UND ENTHÄLT DELPHI VERTRAULICHE INFORMATIONEN DIE REPRODUKTION, VERTEILUNG UND NUTZUNG DIESER DOKUMENTE OHNE DELPHI ZUERSTEN LAD DIESER ODER AUCH ALS KOPPIERUNG VON BELEGEN INHAUT ZU ÄNDERN, IST OHNE BEZUGSBERECHTIGUNG DURCH DELPHI KORPORATION UNLÄSSIG.

DR	DATE
FRIMMERSDORF	10MY05
CVASA	10MY05
WISNIEWSKI	16JUN05
APVD3	
APVD4	
APVD5	

SUBSTANCE OF CONCERN AND RECYCLED CONTENT PER DELPHI 1040000 POTENTIELL BEFÄHIGTE STOFFE UND REZYKLIERTER ANTEIL

MATERIAL SEE CHART

DRAWING NAME MALE TERMINAL TTS 1.5 X 0.6 UNSEALED AND SEALED

STIFTKONTAKT TTS 1.5 X 0.6 UNGEDICHTET UND GEDICHTET

DRAWING NUMBER **15396739**

SIZE A2 SCALE 10:1 FRAME NO 1 OF 1 SHEET NO 1 OF 1 STB REV TYP R 05

REMARKS:

- DIMENSIONS IN MILLIMETER
- CRIMP DESIGN TO FIT CABLE TYPE FLR
- BASE MATERIAL CUFE2P; CW107C; C19400
- CRIMP MIN. 1.2μ SN PLATED, FREE OF NI
- SLEEVE MATERIAL X10CRN188; EN 10151
- TERMINAL-CAVITY ACCORDING DELPHI SPECIFICATION
- M: MODIFIED

BEMERKUNGEN:

- MASSE IN MILLIMETER
- CRIMP GEOMETRIE PASSEND FUER LEITUNG TYP FLR
- BASISMATERIAL CUFE2P; CW107C; C19400
- CRIMP MIN. 1.2μ SN BESCHÜTTET, FREI VON NI
- UEBERFEDERMATERIAL X10CRN188; EN 10151
- KONTAKTKAMMER ENTSPRECHEND DELPHI SPEZIFIKATION
- M: MODIFIZIERT

KEY PRODUCT CHARACTERISTICS

NO & TYPE	DESCRIPTION	RATIONALE	PTS	ZONE
①	SAFETY/COMPLIANCE		0	
②	S/C CHECKPOINTS		0	
③	FIT/FUNCTION		0	
④	F/F CHECKPOINTS		0	

TOTAL ON DRAWING 0

LAST NO. USED 0

DO NOT SCALE

USE MATH DATA

SHARP CORNER TOLERANCE

ANGULAR TOLERANCE #2

NO & TYPE	DESCRIPTION	RATIONALE	PTS	ZONE
①	SAFETY/COMPLIANCE		0	
②	S/C CHECKPOINTS		0	
③	FIT/FUNCTION		0	
④	F/F CHECKPOINTS		0	

Mouser Electronics

Authorized Distributor

Click to View Pricing, Inventory, Delivery & Lifecycle Information:

[Aptiv:](#)

[15396712](#) [15396711](#)