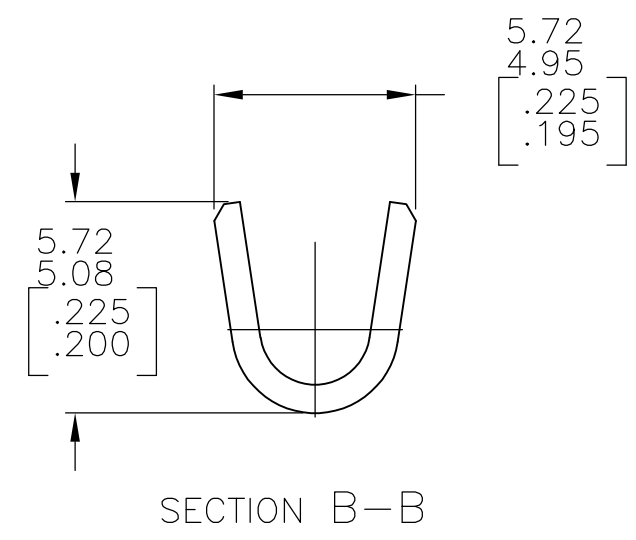
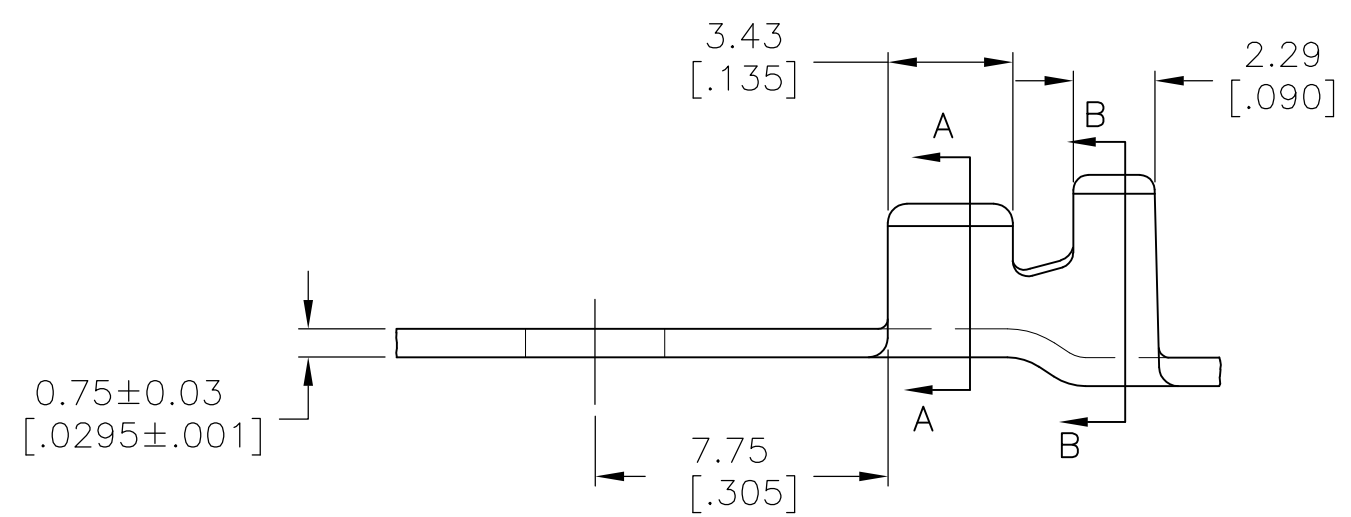
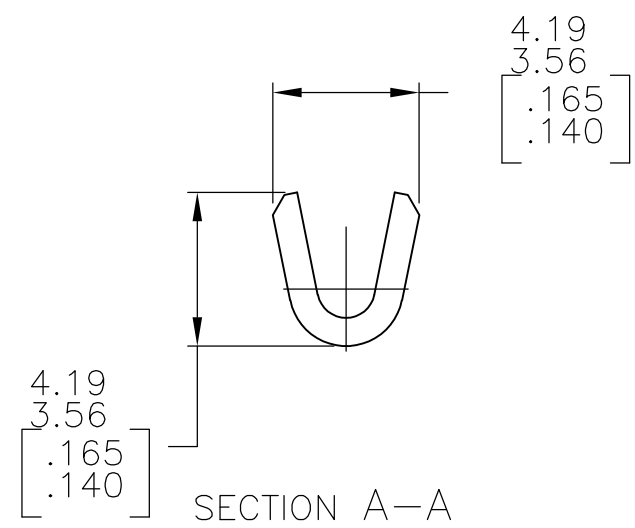
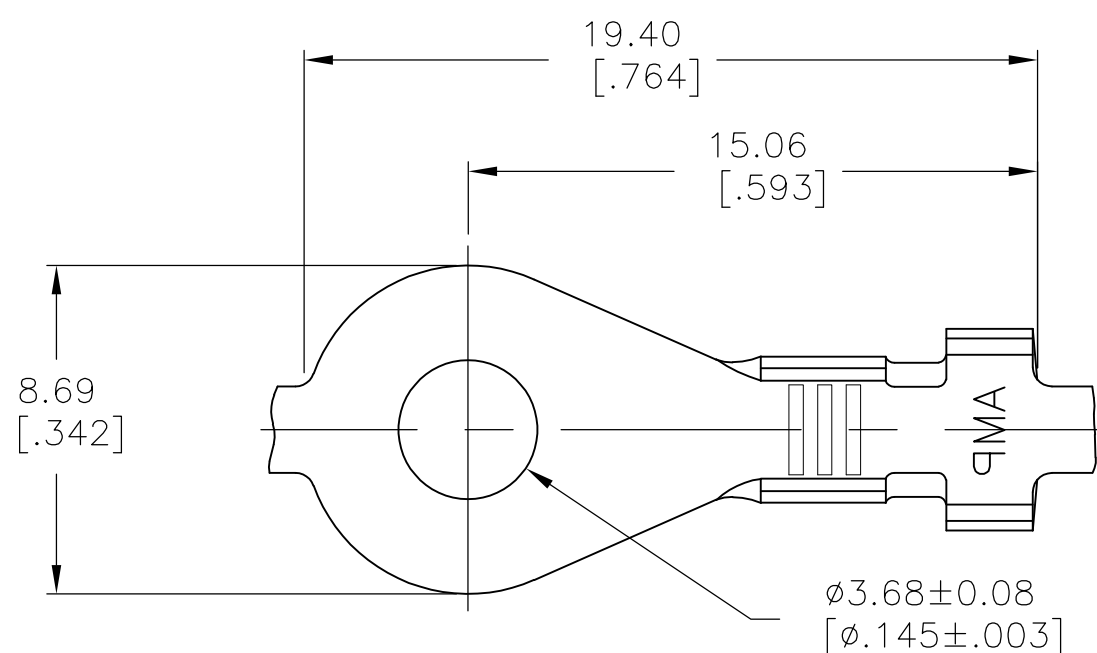


THIS DRAWING IS UNPUBLISHED. RELEASED FOR PUBLICATION
 © COPYRIGHT BY TYCO ELECTRONICS CORPORATION. ALL INTERNATIONAL RIGHTS RESERVED.

LOC	DIST	REVISIONS					
		P	LTR	DESCRIPTION	DATE	DWN	APVD
AF	50		C2	REVISED PER ECR-10-009713	11MAY10	HMR	PD
			C3	REVISED PER ECR-15-013377	16SEP2015	L.P	T.D

1 CONTINUOUS STRIP ON REELS



M3.5 #6	0.5-1.4mm ² [20-16]	2.54-3.56 [.100-.140]	42933-2
STUD SIZE	WIRE RANGE AWG	INSULATION RANGE	PART NO

THIS DRAWING IS A CONTROLLED DOCUMENT.		DWN RAGHAVENDRA 05MAR09	Tyco Electronics Corporation Harrisburg, PA 17105-3608	
DIMENSIONS: mm [INCHES]	TOLERANCES UNLESS OTHERWISE SPECIFIED:	CHK JEFF RUTH 05MAR09	Tyco Electronics	
	0 PLC ± -	APVD DON DECKER 05MAR09	RING	
	1 PLC ± -	PRODUCT SPEC	NAME	
	2 PLC ± 0.25[.010]	APPLICATION SPEC	SIZE	CAGE CODE
	3 PLC ± -		A3	00779
	4 PLC ± -		DRAWING NO	C-42933
	ANGLES ± 1° 0'		RESTRICTED TO	-
MATERIAL BRASS	FINISH TIN	WEIGHT -	CUSTOMER DRAWING	
		SCALE 5:1	SHEET 1 OF 1	REV C3

Mouser Electronics

Authorized Distributor

Click to View Pricing, Inventory, Delivery & Lifecycle Information:

[TE Connectivity:](#)

[42933-2](#)