

Pushbutton illuminated - mounting hole diameter 9.1 mm, with built-in LED, green lens

1.15.106.502/1500



General information

Form of lens	protruding lens
Color of lens	transparent green
Form of collar	round

Dimensions

Diameter of collar	11 mm
Overall height	7 mm
Mounting depth	25 mm
Mounting hole	9.1 mm

Mechanical design

Mounting	ring nut
Terminals	solder terminals
Contact system	bridge contact
Contact function	momentary
Contact arrangement	1 NC + 1 NO
Contact materials	Au
Illumination	LED super bright green
Lamp socket	no

Mechanical characteristics

Operating force max.	5 N
Operating travel	1.5 mm
Switching travel NC	0.5 mm
Switching travel NO	1 mm
Robustness max.	100 N

Electrical characteristics

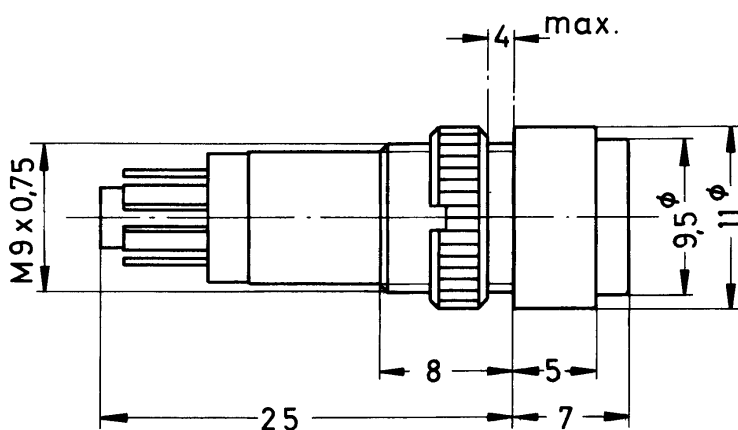
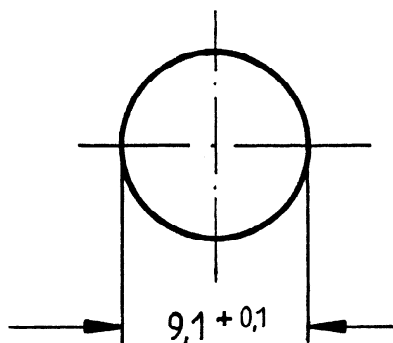
Rated voltage AC/DC max.	24 V
Rated voltage DC max.	24 V
Rated current max.	0.5 A
Contact resistance when new max.	50 mΩ
Contact resistance acc. to life max.	300 mΩ
Bouncing time max.	10 ms
Lamp voltage	2 V/10 mA external series resistor

Other specifications

Operating life key switch	200,000 cycle
Degree of protection from front side	IP40 (DIN EN 60529)
Operation temperature min.	-25 °C

Ambient temp. operating max.	+70 °C, LED +55 °C
Storage temperature min.	-40 °C
Storage temperature max.	+80 °C
Environmental resistance	acc. to IEC 60068-2-14, -30, -33 and -78
Soldering temperature max.	350 °C
Soldering time max.	3 s
Weight	3 g
LED forward current	max. 30 mA at T = 25 degree
LED forward voltage	2 V at 10 mA
LED reverse voltage	5 V
LED reverse current	0.1 mA
LED power dissipation	max. 120 mW at T = 50 degree
LED series resistor 5-7 V	270 Ω, 0,25 W
LED series resistor 12-14 V	680 Ω, 0.5 W
LED series resistor 24-28 V	1500 Ohm, 1 W
ROHS compliant	yes
REACH compliant	yes

Panel cut-out



Mouser Electronics

Authorized Distributor

Click to View Pricing, Inventory, Delivery & Lifecycle Information:

[RAFI:](#)

[1.15.106.502/1500](#)