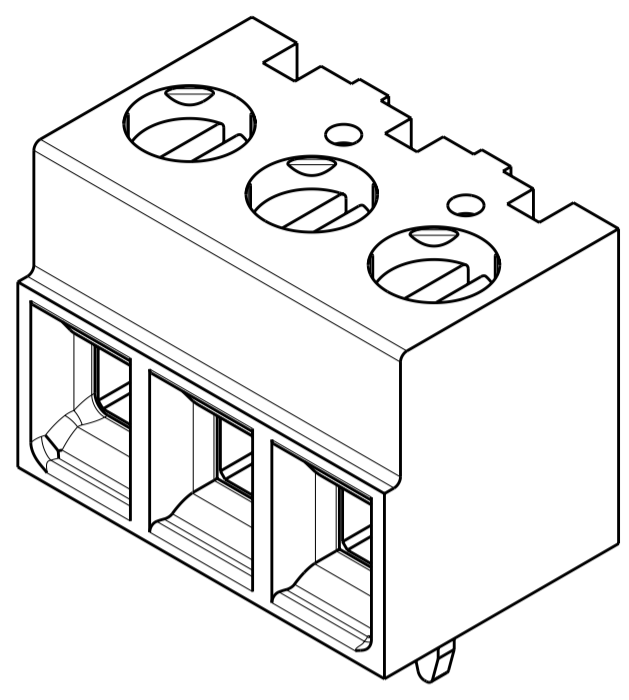
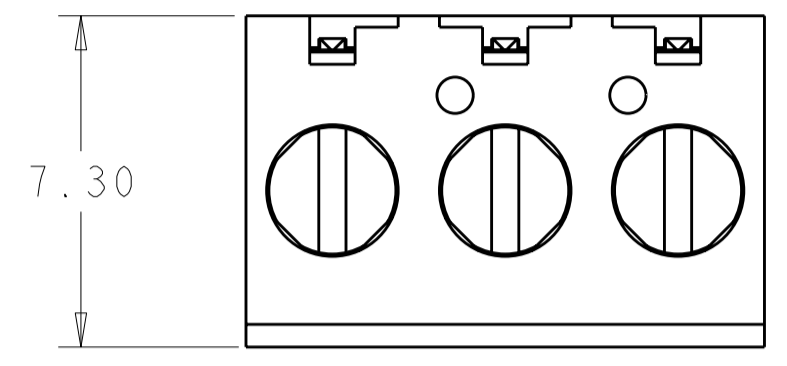


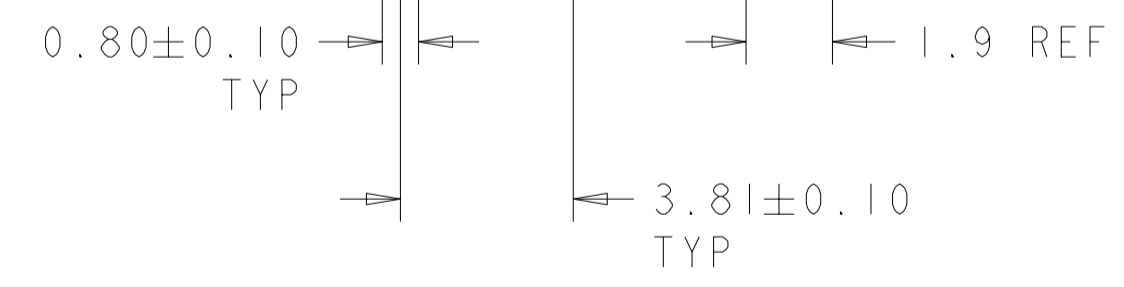
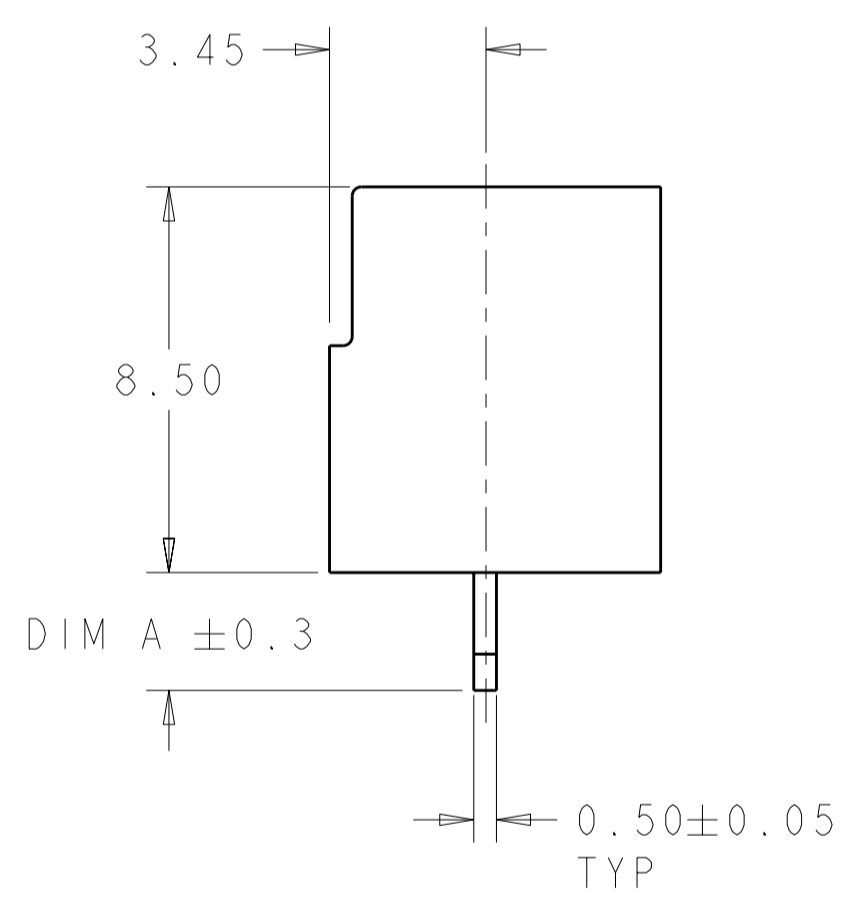
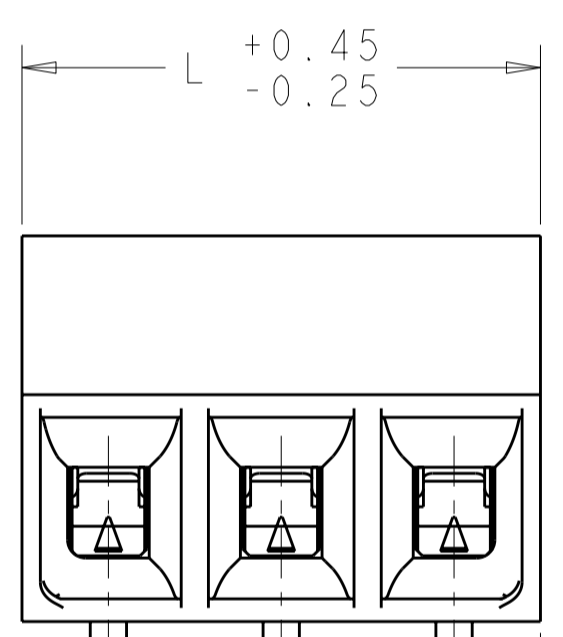
THIS DRAWING IS UNPUBLISHED. RELEASED FOR PUBLICATION 20
 © COPYRIGHT 20 BY - ALL RIGHTS RESERVED.

| LOC | | DIST | | REVISIONS | | | |
|-----|-----|---------------------------|-----------|-----------|------|--|--|
| P | LTR | DESCRIPTION | DATE | DWN | APVD | | |
| | P | REVISED PER ECO-11-004820 | 11MAR2011 | RK | HMR | | |

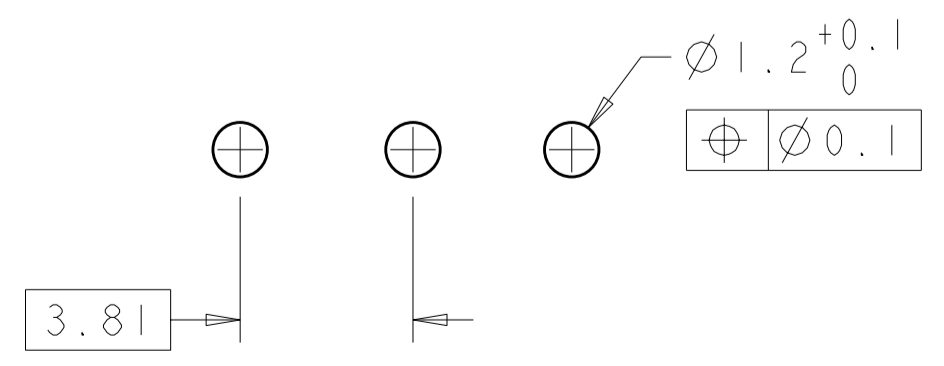


1776113-3 AS SHOWN

- ⚠ MATERIALS AND FINISH:
 HOUSING: HIGH TEMPERATURE POLYAMIDE, UL 94V-0 RATED,
 COLOR: BLACK.
 TERMINAL: COPPER ALLOY, TIN PLATED.
 CLAMP: COPPER ALLOY, NICKEL PLATED.
 CLAMPING SCREW: COPPER ALLOY, NICKEL PLATED.
- WIRE SIZE RANGE: 16-28 AWG.
 - CURRENT RATING: 12A, 150V
 OPERATING TEMPERATURE: -40°C TO +110°C
 - SUITABLE FOR 2.4mm MAX PCB BOARD THICKNESS.



| | | | |
|-------|-------|-------|-------------|
| 3.5 | 45.72 | 12 | 3-1776113-2 |
| | 41.91 | 11 | 3-1776113-1 |
| | 38.10 | 10 | 3-1776113-0 |
| | 34.29 | 9 | 2-1776113-9 |
| | 30.48 | 8 | 2-1776113-8 |
| | 26.67 | 7 | 2-1776113-7 |
| | 22.86 | 6 | 2-1776113-6 |
| | 19.05 | 5 | 2-1776113-5 |
| | 15.24 | 4 | 2-1776113-4 |
| | 11.43 | 3 | 2-1776113-3 |
| | 7.62 | 2 | 2-1776113-2 |
| | 2.6 | 45.72 | 12 |
| 41.91 | | 11 | 1-1776113-1 |
| 38.10 | | 10 | 1-1776113-0 |
| 34.29 | | 9 | 1776113-9 |
| 30.48 | | 8 | 1776113-8 |
| 26.67 | | 7 | 1776113-7 |
| 22.86 | | 6 | 1776113-6 |
| 19.05 | | 5 | 1776113-5 |
| 15.24 | | 4 | 1776113-4 |
| 11.43 | | 3 | 1776113-3 |
| 7.62 | | 2 | 1776113-2 |
| DIM A | | L | NO OF POSN |



RECOMMENDED PC BOARD LAYOUT

THIS DRAWING IS A CONTROLLED DOCUMENT. DWN S. WELDON 02JUN2005
 CHK C. RICHARD 02JUN2005
 APVD C. RICHARD 02JUN2005

STE TE Connectivity

NAME: TERMINAL BLOCK, PCB MOUNT, STRAIGHT, 8.5mm PROFILE, SIDE WIRE ENTRY, 3.81mm PITCH

| | | | | | | |
|-------------|--|--------------|--------|-----------|------------|---------------|
| DIMENSIONS: | TOLERANCES UNLESS OTHERWISE SPECIFIED: | PRODUCT SPEC | SIZE | CAGE CODE | DRAWING NO | RESTRICTED TO |
| mm | 0 PLC ± 1 PLC ±0.3 2 PLC ±0.25 3 PLC ±0.000 4 PLC ±0.000 | - | A2 | 00779 | C-1776113 | - |
| MATERIAL | FINISH | APPLIC. SPEC | WEIGHT | SCALE | SHEET | REV |
| ⚠ | ⚠ | - | - | 6:1 | 1 | P |

CUSTOMER DRAWING

Mouser Electronics

Authorized Distributor

Click to View Pricing, Inventory, Delivery & Lifecycle Information:

[TE Connectivity:](#)

[1776113-5](#)