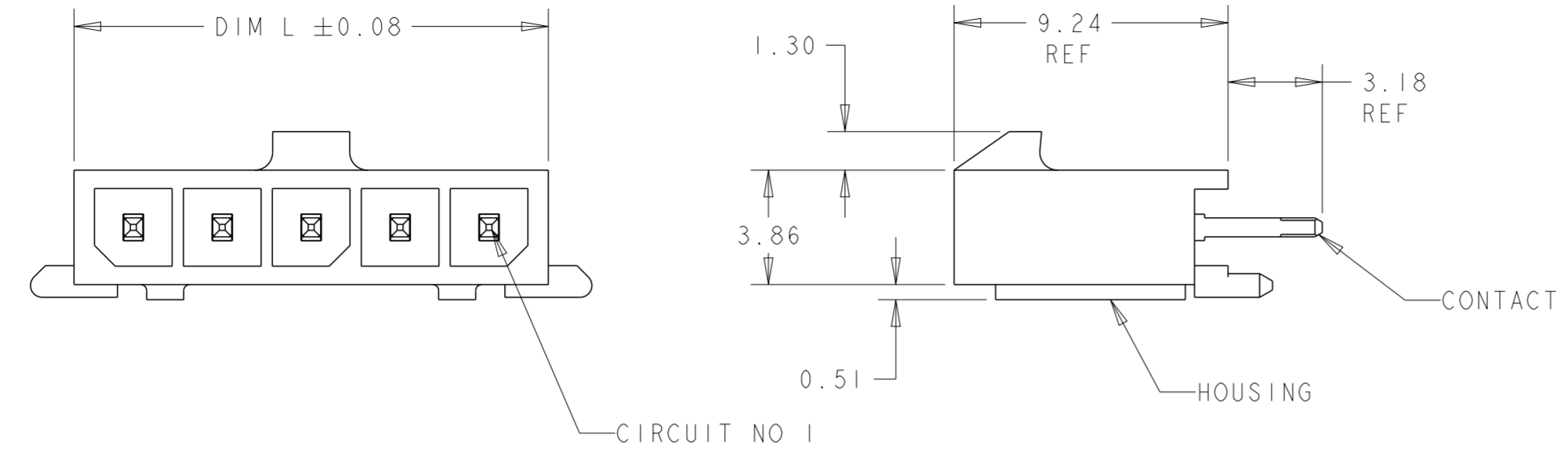
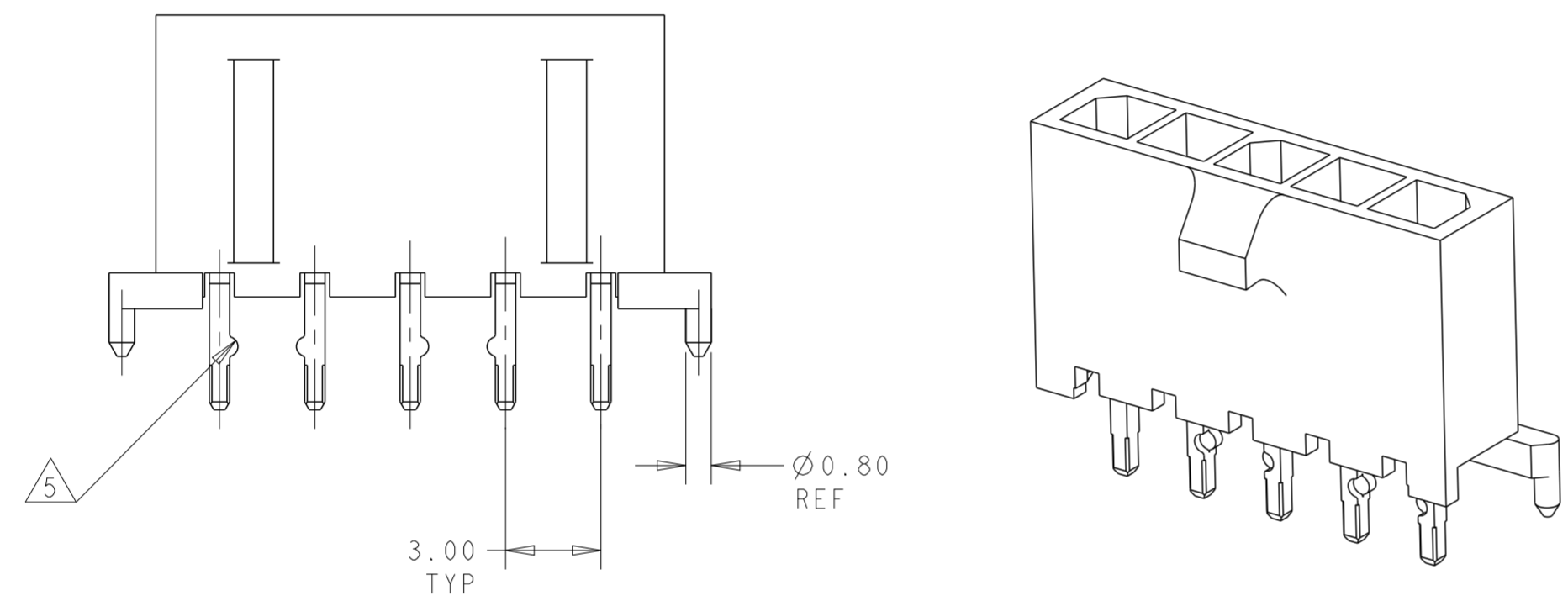


THIS DRAWING IS UNPUBLISHED. RELEASED FOR PUBLICATION 20  
 © COPYRIGHT 20 BY - ALL RIGHTS RESERVED.

REVISIONS				
P	LTR	DESCRIPTION	DATE	APVD
B2		REVISED PER ECR-16-011494	20JUN2017	NK CX

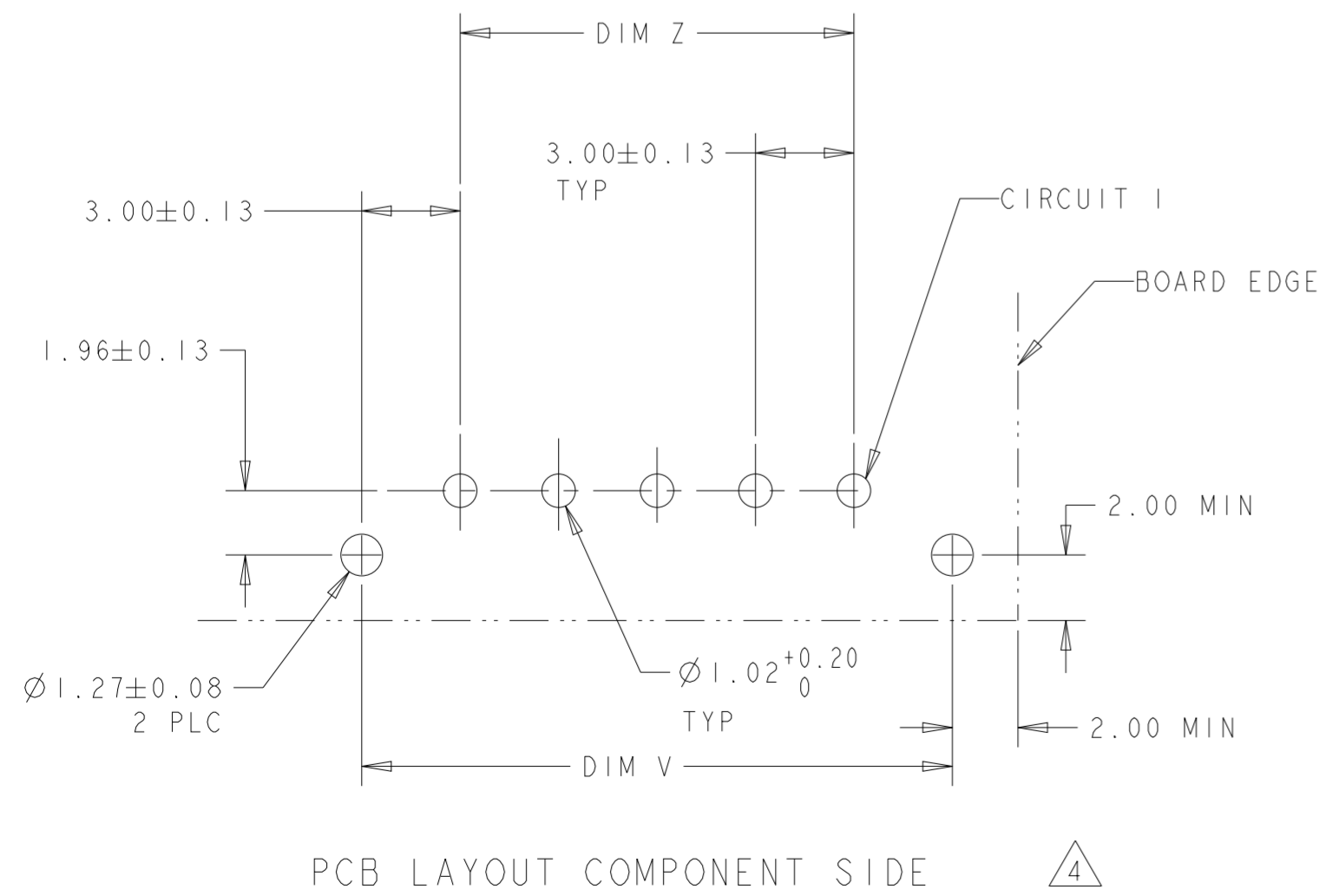


- 1 MATERIAL: CONTACTS - BRASS  
HOUSING - UL 94V-0 RATED HIGH TEMP NYLON, COLOR BLACK.
- 2 PLATING: CONTACTS - 0.38µm MINIMUM GOLD ON MATING END, 2.54µm MINIMUM TIN LEAD ON SOLDER TAILS, BOTH OVER 1.27µm MINIMUM NICKEL.
- 4 RECOMMENDED PC BOARD THICKNESS OF 1.57.
- 5 RETENTION BUMP FEATURES FACE EACH OTHER, TYPICAL ALL CONFIGURATIONS.
- 6 PLATING: CONTACTS - 0.38µm MINIMUM GOLD ON MATING END, 2.54µm MINIMUM MATTE TIN ON SOLDER TAILS, BOTH OVER 1.27µm MINIMUM NICKEL.



FINISH	CON POS W/RET BUMP	DIM Z	DIM V	DIM L	NO. OF POSN	PART NUMBER
6	1, 2, 11, 12	33.00	39.14	37.00	12	3-1445084-2
6	1, 2, 9, 10	30.00	36.14	34.00	11	3-1445084-1
6	1, 2, 9, 10	27.00	33.14	31.00	10	3-1445084-0
6	1, 2, 7, 8	24.00	30.14	28.00	9	2-1445084-9
6	1, 2, 7, 8	21.00	27.14	25.00	8	2-1445084-8
6	1, 2, 5, 6	18.00	24.14	22.00	7	2-1445084-7
6	1, 2, 5, 6	15.00	21.14	19.00	6	2-1445084-6
6	1, 2, 3, 4	12.00	18.14	16.00	5	2-1445084-5
6	1, 2, 3, 4	9.00	15.14	13.00	4	2-1445084-4
6	1, 2	6.00	12.14	10.00	3	2-1445084-3
6	1, 2	3.00	9.14	7.00	2	2-1445084-2

SUPERSEDED BY 3-1445084-2  
 SUPERSEDED BY 3-1445084-1  
 SUPERSEDED BY 3-1445084-0  
 SUPERSEDED BY 2-1445084-9  
 SUPERSEDED BY 2-1445084-8  
 SUPERSEDED BY 2-1445084-7  
 SUPERSEDED BY 2-1445084-6  
 SUPERSEDED BY 2-1445084-5  
 SUPERSEDED BY 2-1445084-4  
 SUPERSEDED BY 2-1445084-3  
 SUPERSEDED BY 2-1445084-2



FINISH	CON POS W/RET BUMP	DIM Z	DIM V	DIM L	NO. OF POSN	PART NUMBER
2	1, 2, 11, 12	33.00	39.14	37.00	12	1-1445084-2
2	1, 2, 9, 10	30.00	36.14	34.00	11	1-1445084-1
2	1, 2, 9, 10	27.00	33.14	31.00	10	1-1445084-0
2	1, 2, 7, 8	24.00	30.14	28.00	9	1-1445084-9
2	1, 2, 7, 8	21.00	27.14	25.00	8	1-1445084-8
2	1, 2, 5, 6	18.00	24.14	22.00	7	1-1445084-7
2	1, 2, 5, 6	15.00	21.14	19.00	6	1-1445084-6
2	1, 2, 3, 4	12.00	18.14	16.00	5	1-1445084-5
2	1, 2, 3, 4	9.00	15.14	13.00	4	1-1445084-4
2	1, 2	6.00	12.14	10.00	3	1-1445084-3
2	1, 2	3.00	9.14	7.00	2	1-1445084-2

THIS DRAWING IS A CONTROLLED DOCUMENT.

DWN: J. ROOT 10OCT2000  
 CHK: K. WHITAKER 17-APR-2001  
 APVD: C. JONES 17-APR-2001

**STE** TE Connectivity

NAME: VERTICAL THRU HOLE HEADER ASSY, 0.38 MIC GOLD CONTACTS W/PCB PLZLN™ FEATURE, SGL ROW, MICRO MATE-N-LOK™

SIZE: A2 CAGE CODE: 00779 DRAWING NO: 1445084 RESTRICTED TO: -

MATERIAL: SEE TABLE

PRODUCT SPEC: -  
 APPLICATION SPEC: -  
 WEIGHT: -

CUSTOMER DRAWING SCALE: 5:1 SHEET: 1 OF 1 REV: B2

# Mouser Electronics

Authorized Distributor

Click to View Pricing, Inventory, Delivery & Lifecycle Information:

[TE Connectivity:](#)

[2-1445084-3](#)