

## 233-105 Crimp contact series with accessory threads

How To Order - 233-105							
<b>Sample Part Number</b>	<b>233-105</b>	<b>-20</b>	<b>NF</b>	<b>17-8</b>	<b>P</b>	<b>N</b>	<b>-LC</b>
<b>Series / Basic Part No.</b>	MIL-DTL-38999 Series III Environmental Connector						
<b>Connector Style</b>	<b>20</b> = Wall mount receptacle <b>24</b> = Jam nut receptacle <b>26</b> = Plug						
<b>Material and Finish</b>	See Table I						
<b>Shell Size-Insert Arrangement</b>	Per MIL-STD-1560						
<b>Contact Type</b>	<b>P</b> = Pin, 500 cycles <b>A</b> = Pin insert, less standard contacts			<b>S</b> = Socket, 500 cycles <b>B</b> = Socket insert, less standard contacts			
<b>Alternate Polarization</b>	<b>A, B, C, D, E, N</b> = Normal						
<b>Mod Code for Less Contacts</b>	Connector marked with <b>P</b> or <b>S</b> according to insert but supplied less contacts						

Table I: Material and Finish				
38999	233-105	Material	Finish Description	RoHS
<b>F</b>	<b>ME</b>	Aluminum	Electroless nickel (48 hr. salt spray)	<input checked="" type="checkbox"/>
<b>G</b>	<b>MA</b>		Space-grade electroless nickel, matte (48 hr. salt spray)	<input checked="" type="checkbox"/>
<b>T</b>	<b>MT</b>		Ni-PTFE	<input checked="" type="checkbox"/>
<b>W</b>	<b>NF</b>		Cadmium O.D. over electroless nickel (500 hr. salt spray)	<input type="checkbox"/>
<b>Z*</b>	<b>ZR</b>		Black zinc-nickel over electroless nickel	<input checked="" type="checkbox"/>
*qualification pending				

Connector Mating and Accessory Thread Dimensions			
Shell Size Code	Shell Size	A Thread	J Thread
<b>A</b>	9	.6250-.1P-.3L-TS-2A	M12 X 1.0-6g 0.100R
<b>B</b>	11	.7500-.1P-.3L-TS-2A	M15 X 1.0-6g 0.100R
<b>C</b>	13	.8750-.1P-.3L-TS-2A	M18 X 1.0-6g 0.100R
<b>D</b>	15	1.0000-.1P-.3L-TS-2A	M22 X 1.0-6g 0.100R
<b>E</b>	17	1.1875-.1P-.3L-TS-2A	M25 X 1.0-6g 0.100R
<b>F</b>	19	1.2500-.1P-.3L-TS-2A	M28 X 1.0-6g 0.100R
<b>G</b>	21	1.3750-.1P-.3L-TS-2A	M31 X 1.0-6g 0.100R
<b>H</b>	23	1.5000-.1P-.3L-TS-2A	M34 X 1.0-6g 0.100R
<b>J</b>	25	1.6250-.1P-.3L-TS-2A	M37 X 1.0-6g 0.100R

Wire Accommodation	
Contact Size	Wire Gauge
<b>23</b>	#22 - #28
<b>22D</b>	#22 - #28
<b>20</b>	#20 - #24
<b>16</b>	#16 - #20
<b>12</b>	#12 - #14

## NOTES

- 233-105 is designed to meet or exceed the mechanical, electrical, environmental and dimensional requirements of D38999/20, /24 & /26.
- Insert arrangements IAW MIL-STD-1560, Glenair HD and size #8 shielded contact insert arrangements available only in COTS series
- Blue color band indicates rear release retention system.
- Connector is supplied with contacts (including spares), insertion/removal tool and sealing plugs.
- Dimensions in inches (millimeters) are subject to change without notice
- Consult factory for additional information

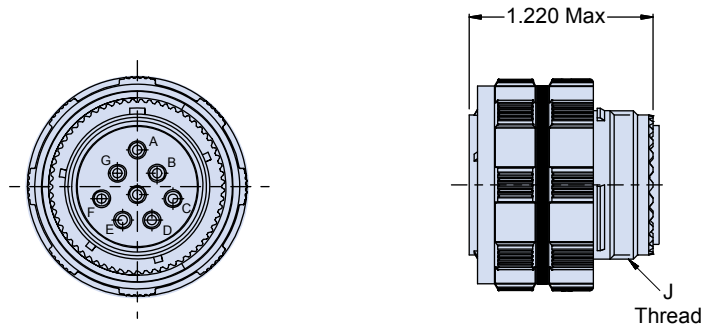
# MIL-DTL-38999 Series III Environmental connectors

## D38999/20, /24, /26 Crimp contact series

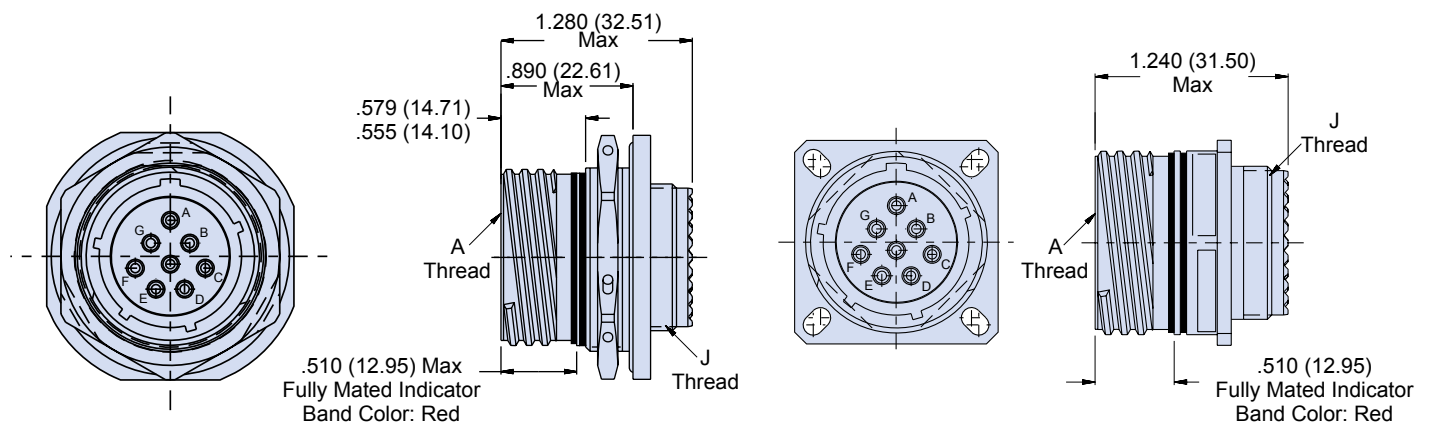


How To Order - Mil-Spec							
Sample Part Number	D38999/	20	W	A	35	P	N
Series / Basic Part No.	MIL-DTL-38999 Series III Environmental Connector						
Connector Style	20 = Wall mount receptacle 24 = Jam nut receptacle 26 = Plug						
Class (Material and Finish)	See Table I						
Shell Size Code	A, B, C, D, E, F, G, H and J (per MIL-STD-1560)						
Insert Pattern	See pages 4–9 (per MIL-STD-1560)						
Contact Type	P = Pin, 500 cycles A = Pin insert, less standard contacts			S = Socket, 500 cycles B = Socket insert, less standard contacts			
Alternate Polarization	A, B, C, D, E, N = Normal						

### PLUG WITH ACCESSORY THREADS



### JAM NUT RECEPTACLE AND WALL MOUNT RECEPTACLE



# Mouser Electronics

Authorized Distributor

Click to View Pricing, Inventory, Delivery & Lifecycle Information:

## Glenair:

[D38999/26WF45PB](#) [D38999/26GH97SD](#) [D38999/26FJ19BD](#) [D38999/24GG39SA-LC](#) [D38999/20FE8SA-LC](#)  
[D38999/26GG39BD](#) [D38999/26GE8PB-LC](#) [D38999/26FJ29SB-LC](#) [D38999/24GJ35PD-LC](#) [D38999/24GH97AD](#)  
[D38999/20GC98PB](#) [D38999/20FB35PB-LC](#) [D38999/20FG41BC](#) [D38999/20FD18AA](#) [D38999/24WG27AC](#)  
[D38999/24GD18BA](#) [D38999/24FE8AA](#) [D38999/20WG35PE-LC](#) [D38999/20GD19PA](#) [D38999/20GA35PD](#)  
[D38999/20FG24SN-LC](#) [D38999/24GD97PB-LC](#) [D38999/24GB35PE-LC](#) [D38999/24FE6AN](#) [D38999/20WH97BA](#)  
[D38999/20GJ43SE](#) [D38999/20GG11PA-LC](#) [D38999/24GH34SN](#) [D38999/24GF32AE](#) [D38999/20GG35SC-LC](#)  
[D38999/20GB4SB-LC](#) [D38999/20FE6PD](#) [D38999/26GC98SD](#) [D38999/26GB4PA](#) [D38999/26FF45BE](#)  
[D38999/26WH35PB-LC](#) [D38999/26WC8PB-LC](#) [D38999/26GH36SE](#) [D38999/26WG39AB](#) [D38999/26FH21SD-LC](#)  
[D38999/26FB99SD](#) [D38999/24GF32PB](#) [D38999/20WG41PA](#) [D38999/20GG24PB](#) [D38999/20FC98BD](#)  
[D38999/26WE35PA-LC](#) [D38999/26GD19PB-LC](#) [D38999/24GB99PN-LC](#) [D38999/24FH55BE](#) [D38999/20GJ37AN](#)  
[D38999/26GG41BA](#) [D38999/24WH99AD](#) [D38999/24FE99BB](#) [D38999/20GG16SB-LC](#) [D38999/26GD35AC](#)  
[D38999/26FF45PE](#) [D38999/24FH35PN](#) [D38999/24FA35BN](#) [D38999/26GG39PD-LC](#) [D38999/24GJ29AN](#)  
[D38999/24FH53PN-LC](#) [D38999/24FB2PA](#) [D38999/20FJ24BC](#) [D38999/26FG11BB](#) [D38999/24FH36BD](#)  
[D38999/24GJ24PD](#) [D38999/24FA35SN](#) [D38999/20GF45SB](#) [D38999/20GC8BE](#) [D38999/20FH55BA](#)  
[D38999/24GF35AB](#) [D38999/24GC4SA](#) [D38999/24FB2SN-LC](#) [D38999/26GD15PB](#) [D38999/26FJ35SA](#)  
[D38999/26FD19BB](#) [D38999/20GJ29SB-LC](#) [D38999/20WH21SB](#) [D38999/26FD18PE](#) [D38999/24WF35BD](#)  
[D38999/20GJ29AE](#) [D38999/26GJ37PE](#) [D38999/26FC35AE](#) [D38999/20WH32PA-LC](#) [D38999/24WF35SE](#)  
[D38999/20WE8BN](#) [D38999/20FC4BC](#) [D38999/26GJ43BB](#) [D38999/26GE8AN](#) [D38999/26FB99PC-LC](#)  
[D38999/24WG27PA](#) [D38999/24FB98SD-LC](#) [D38999/20WC98BA](#) [D38999/20WB2BC](#) [D38999/20FC98SE](#)  
[D38999/26WB2PN-LC](#) [D38999/26FB5PC](#) [D38999/20WG25BE](#) [D38999/20WE6SA](#) [D38999/20WD97BD](#)