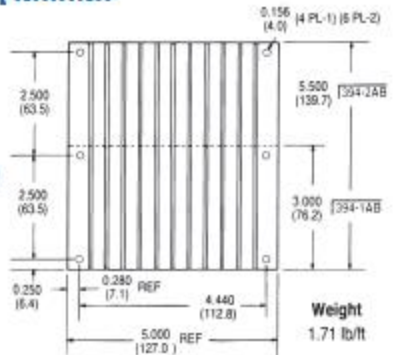


# wakefield-vette

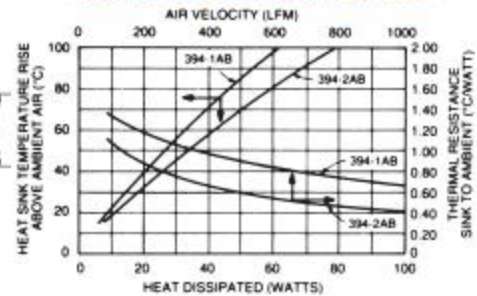
Standard P/N	Length in. (mm)	Overall Dimensions: in. (mm)		Device Base Mounting Area (mm)	Base Mounting Holes	Thermal Resistance at Typical Load	
		Height in. (mm)	Width in. (mm)			Natural Convection ( $\theta_{sa}$ ) <sup>(1)</sup> (°C/W)	Forced Convection ( $\theta_{sa}$ ) (°C/W @ 500 LFM)
394-1AB	3.000 (76.2)	1.500 (38.1)	5.000 (127.0)	101 x 76	4	1.85	0.90
394-2AB	5.500 (139.7)	1.500 (38.1)	5.000 (127.0)	101 x 139	6	1.51	0.60
395-1AB	3.000 (76.2)	2.500 (63.5)	5.000 (127.0)	50 x 76	4	1.10	0.50
395-2AB	5.500 (139.7)	2.500 (63.5)	5.000 (127.0)	50 x 139	6	0.90	0.32
396-1AB	3.000 (76.2)	1.380 (35.1)	5.000 (127.0)	50 x 76	4	1.85	1.07
396-2AB	5.500 (139.7)	1.380 (35.1)	5.000 (127.0)	50 x 139	6	1.51	0.64

## MECHANICAL DIMENSIONS

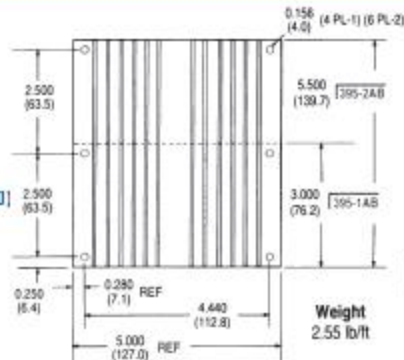
### 394 SERIES (EXTRUSION PROFILE 7332)



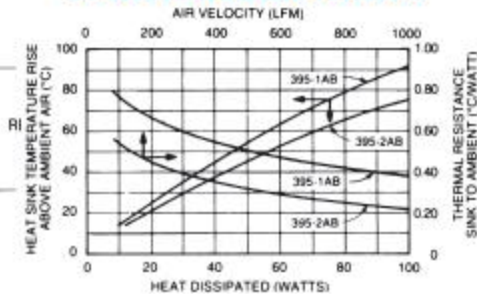
## NATURAL AND FORCED CONVECTION CHARACTERISTICS



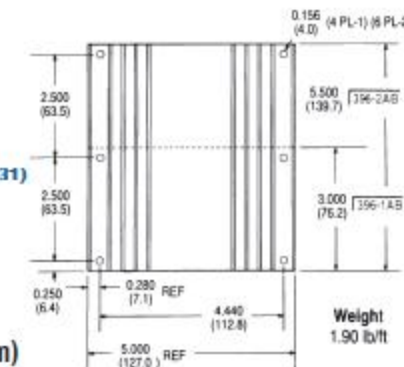
### 395 SERIES (EXTRUSION PROFILE 7330)



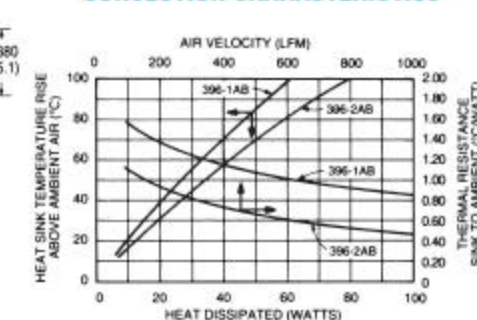
## NATURAL AND FORCED CONVECTION CHARACTERISTICS



### 396 SERIES (EXTRUSION PROFILE 7331)



## NATURAL AND FORCED CONVECTION CHARACTERISTICS



Dimensions: in. (mm)

# Mouser Electronics

Authorized Distributor

Click to View Pricing, Inventory, Delivery & Lifecycle Information:

[Wakefield-Vette:](#)

[394-2AB](#) [395-2AB](#) [394-1AB](#) [395-1AB](#) [396-2AB](#) [396-1AB](#)