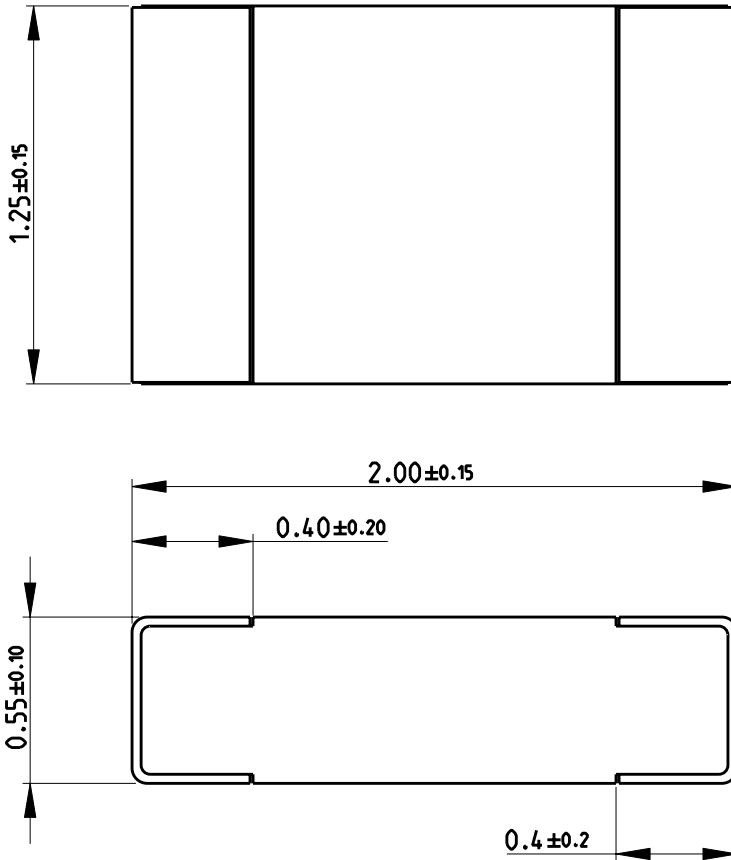
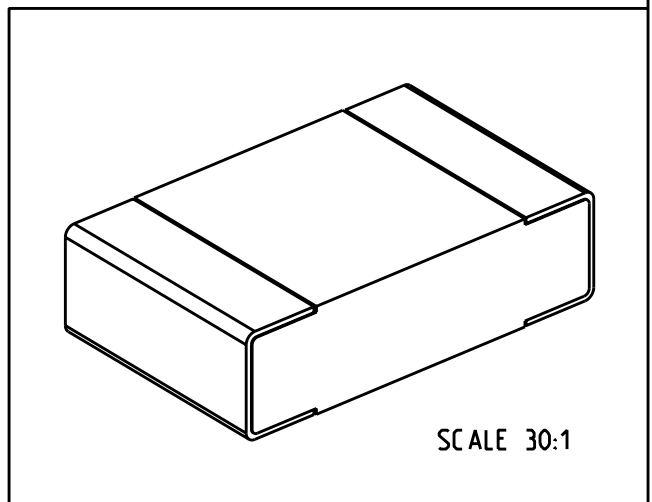


LOC	DIST	REVISIONS					
E	B	P	LTR	DESCRIPTION	DATE	DWN	APVD
		BA		NEW RELEASE	11-MAY-09	SM	St.P

FOR FURTHER INFORMATION SEE DATA SHEET FOR
CRG SERIES-THICK FILM CHIP RESISTORS



RoHS Compliant



2009

RELEASED FOR PUBLICATION

THIS DRAWING IS UNPUBLISHED.

BY TYCO ELECTRONICS CORPORATION. ALL RIGHTS RESERVED.

© COPYRIGHT 2009

DIMENSIONS: mm	DWN SUBHASH.M	11-MAY-09	MATERIAL	-	FINISH	-
	CHK PRAKASH.S	11-MAY-09	Tyco Electronics Corporation Dorcan, Swindon, SN3 5HH			
TOLERANCES UNLESS OTHERWISE SPECIFIED:	APVD STEPHEN.P	11-MAY-09				
0 PLC ± 0.5	PRODUCT SPEC	-	NAME THICK FILM CHIP RESISTORS			
1 PLC ± 0.2	APPLICATION SPEC	-	SIZE			
2 PLC ± 0.1		-	CAGE CODE	DRAWING NO		RESTRICTED TO
3 PLC $\pm -$		-	A 4	00779	C- 1623218	-
4 PLC $\pm -$	WEIGHT	-	SCALE			
ANGLES $\pm 5^\circ$		-	40:1		SHEET	1 OF 1
	CUSTOMER DRAWING		REV BA			

Mouser Electronics

Authorized Distributor

Click to View Pricing, Inventory, Delivery & Lifecycle Information:

[TE Connectivity:](#)

[CRG0805F3K9](#)