

|     |      |           |     |                           |         |     |      |
|-----|------|-----------|-----|---------------------------|---------|-----|------|
| LOC | DIST | REVISIONS |     |                           |         |     |      |
| A1  | -    | P         | LTR | DESCRIPTION               | DATE    | DWN | APVD |
|     |      | L2        |     | REVISED PER ECO-11-005150 | 28APR11 | RK  | HMR  |

2-12 POS. STANDARD-TIMER HOUSING  
REFER DRAWING 1241965


RELEASED FOR PUBLICATION

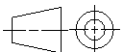
ALL RIGHTS RESERVED.

THIS DRAWING IS UNPUBLISHED.

BY

© COPYRIGHT-

|  |   |                  |           |   |           |              |               |
|--|---|------------------|-----------|---|-----------|--------------|---------------|
| DIMENSIONS:                            |   | DWN              | 07-NOV-06 | MATERIAL  | -         | FINISH       | -             |
| mm                                     |   | CHK              | 07-NOV-06 |  <b>TE Connectivity</b> |           |              |               |
| TOLERANCES UNLESS OTHERWISE SPECIFIED: |   | K. Munz          | 07-NOV-06 |   |           |              |               |
| 0 PLC                                  | ± | APVD             | 07-NOV-06 | NAME<br>2-12 POS. STANDARD-TIMER HOUSING<br>2-12 Pol. Standard-Timer Gehäuse                                |           |              |               |
| 1 PLC                                  | ± | Th. Klenner      |           |   |           |              |               |
| 2 PLC                                  | ± | PRODUCT SPEC     | -         | SIZE  | CAGE CODE | DRAWING NO   | RESTRICTED TO |
| 3 PLC                                  | ± | APPLICATION SPEC | -         | A 4   | -         | C=928247     | -             |
| 4 PLC                                  | ± | WEIGHT           | -         | CUSTOMER DRAWING  |           |              |               |
| ANGLES                                 | ± |                  |           | SCALE   | -         | SHEET 1 OF 1 | REV L2        |



# Mouser Electronics

Authorized Distributor

Click to View Pricing, Inventory, Delivery & Lifecycle Information:

[TE Connectivity:](#)

[928247-4](#)