

PART
NAME

HAND HELD ENCLOSURE (STYLE M)

PART
No.

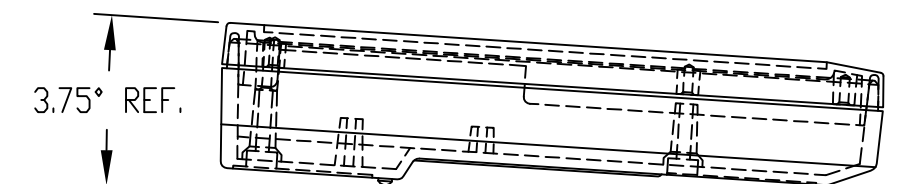
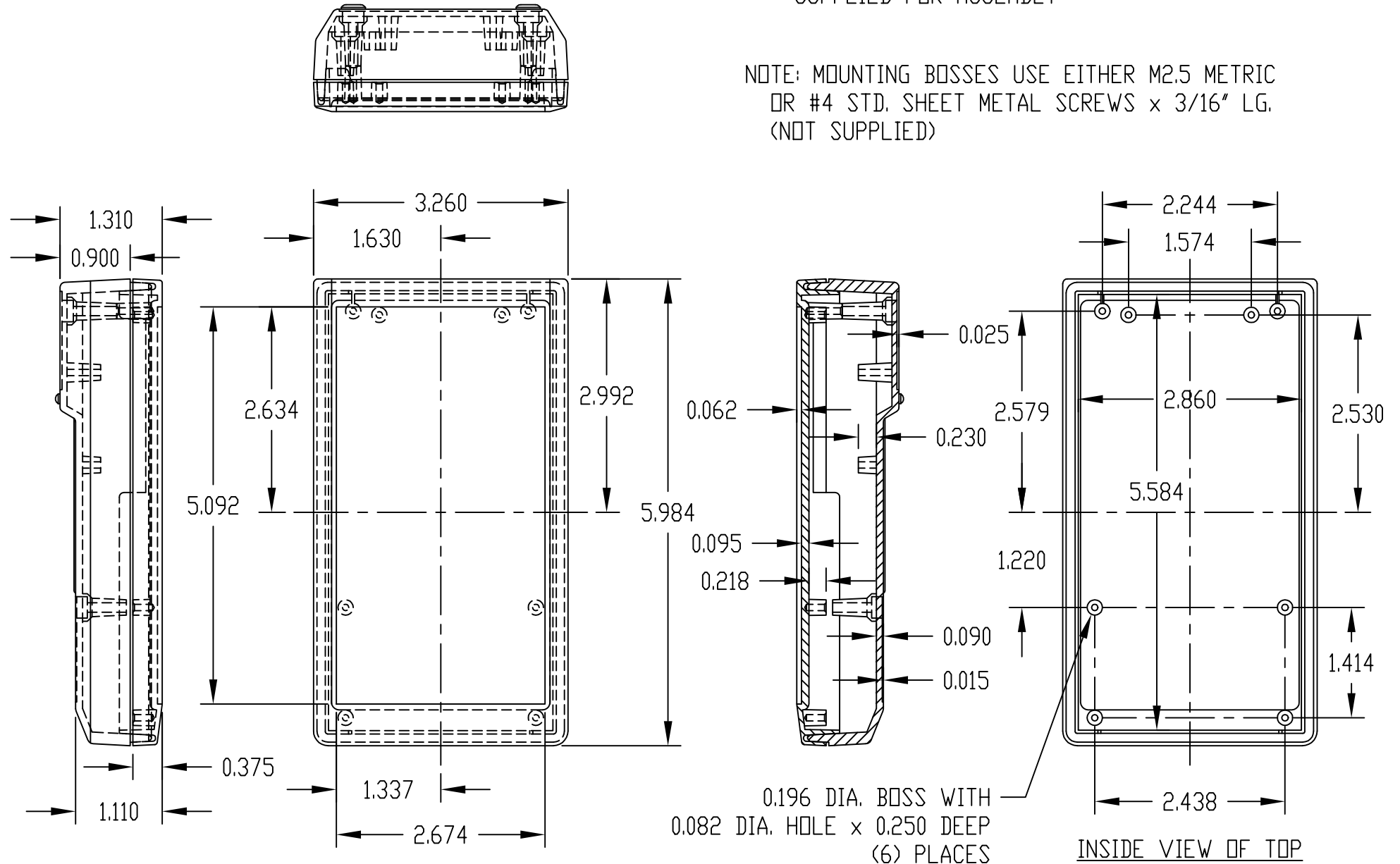
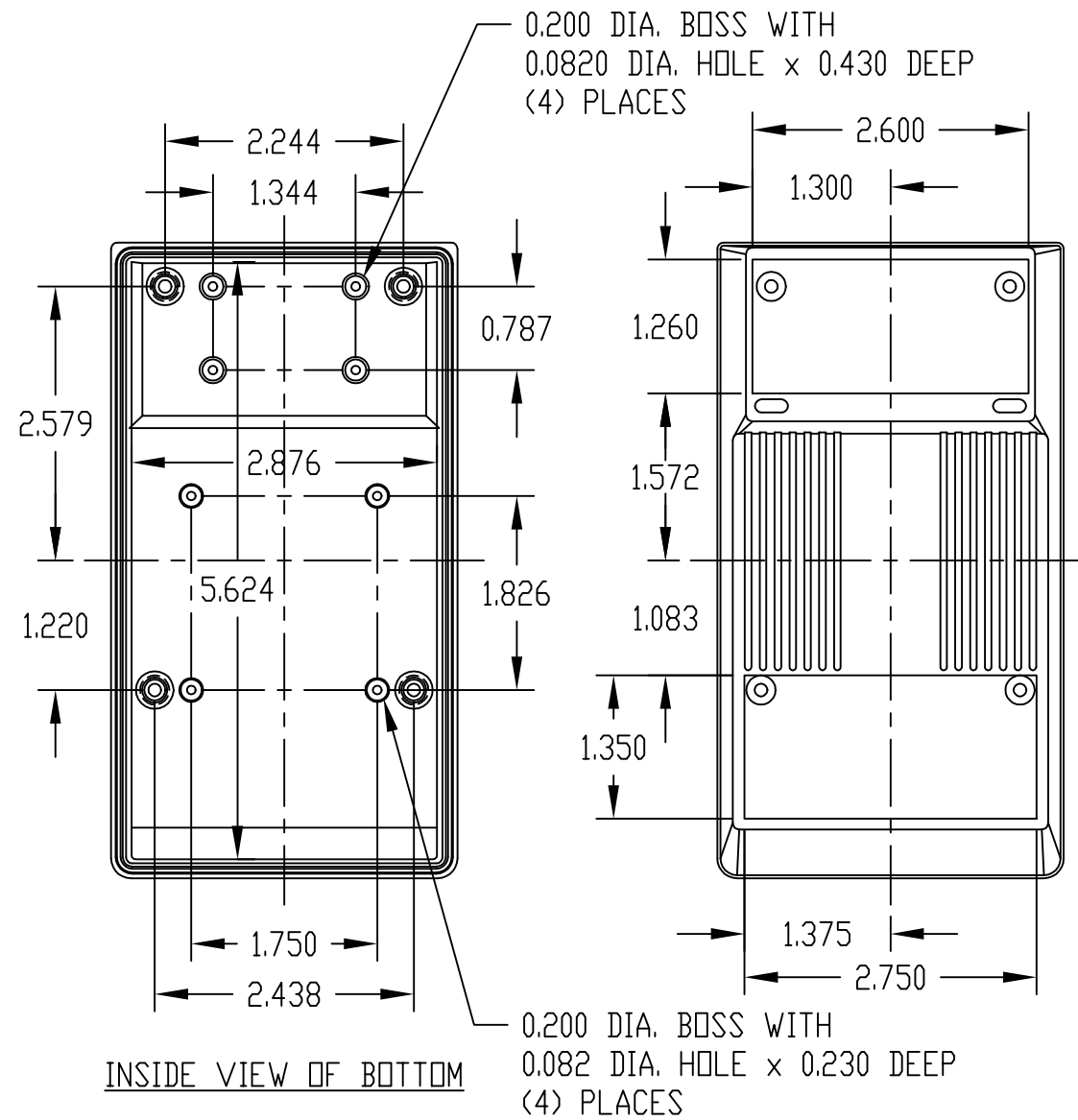
HH-3600

REV.
DATE

MATERIAL: HIGH IMPACT ABS WITH UL94V-0
FLAMMABILITY RATING
FINISH: TEXTURED BLACK

ALL DIMENSIONS HAVE ± 0.015 TOLERANCE
FOUR (4) M3 x 3/4" LG. SCREWS
SUPPLIED FOR ASSEMBLY

NOTE: MOUNTING BOSSES USE EITHER M2.5 METRIC
OR #4 STD. SHEET METAL SCREWS x 3/16" LG.
(NOT SUPPLIED)



Mouser Electronics

Authorized Distributor

Click to View Pricing, Inventory, Delivery & Lifecycle Information:

[Bud Industries:](#)

[HH-3600-B](#)