

PLEASE CHECK WWW.MOLEX.COM FOR LATEST PART INFORMATION

Part Number: [0190040009](#)
Status: **Active**
Overview: Standard Quick-Disconnect Terminals
Description: InsulKrimp Fully Insulated Coupler, Male, for 10-12 AWG Wire, Box

Documents:

Drawing (PDF)	Product Specification PS-19902-011-001 (PDF)
Product Specification 194130098-000 (PDF)	Product Specification PS-19902-013-001 (PDF)
Product Specification PS-19902-008-001 (PDF)	RoHS Certificate of Compliance (PDF)

Agency Certification

CSA	LR18689
UL	E79133

General

Product Family	Quick Disconnects
Series	19004
Crimp Quality Equipment	Yes
Insulated	Fully
Overview	Standard Quick-Disconnect Terminals
Product Name	InsulKrimp
Type	Quick Disconnect
UPC	800753030138

Physical

Barrel Type	Closed
Color - Resin	Yellow
Flammability	94V-2
Gender	Male
Glow-Wire Capable	Yes
Insulation	Nylon (PA)
Lock to Mating Part	None
Material - Metal	Brass
Material - Plating Mating	Zinc Chromate
Material - Plating Termination	Zinc Chromate
Material - Resin	Nylon
Net Weight	1.978/g
Orientation	Straight
Packaging Type	Bag
Polarized to Mating Part	No
Tab Thickness	0.81mm
Tab Width	6.35mm
Temperature Range - Operating	-65° to +105°C
Wire Insulation Diameter	6.99mm max.
Wire Size AWG	10, 12

Electrical

Voltage - Maximum	600V
-------------------	------

Solder Process Data

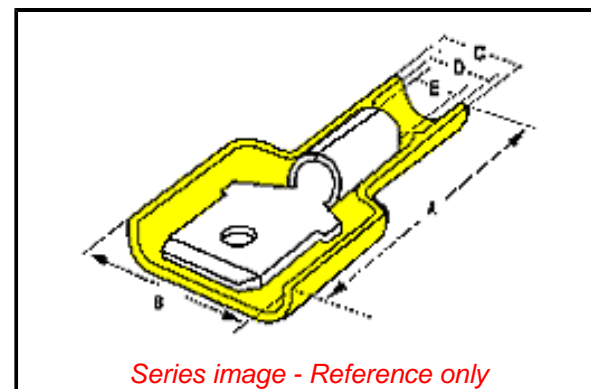
Lead-free Process Capability	N/A
------------------------------	-----

Material Info

Engineering Number	C-2264
--------------------	--------

Reference - Drawing Numbers

Product Specification	194130098-000, PS-19902-008-001, PS-19902-011-001, PS-19902-013-001
-----------------------	---



Series image - Reference only

EU ELV

Not Relevant

EU RoHS

Compliant

REACH SVHC

Not Contained Per
-ED/01/2018 (15
January 2018)

Halogen-Free

Status

Low-Halogen

For more information, please visit [Contact US](#)

China ROHS

ELV

RoHS Phthalates

China RoHS

Green Image

Not Relevant

Not Contained

Search Parts in this Series

[19004 Series](#)

Use With

[19005-0010](#) , [19005-0014](#) , [19005-0015](#)

Application Tooling | FAQ

Tooling specifications and manuals are found by selecting the products below. Crimp Height Specifications are then contained in the Application Tooling Specification document.

Global

Description	Product #
Hand Crimp Tool	640015100
Crimp Head for the AT-200 Pneumatic Hand Tool	640055100

This document was generated on 11/22/2018

PLEASE CHECK WWW.MOLEX.COM FOR LATEST PART INFORMATION

Mouser Electronics

Authorized Distributor

Click to View Pricing, Inventory, Delivery & Lifecycle Information:

[Molex:](#)

[19004-0009](#)