

**PLEASE CHECK WWW.MOLEX.COM FOR LATEST PART INFORMATION**

**Part Number:** **1715757108**  
**Status:** **Active**  
**Overview:** Impact™ Backplane Connectors and Cable Assemblies  
**Description:** Impact 100 Ohm 5 Pair Right-Angle Orthogonal Direct Header, Top Guide, Bottom Endwall, with Outrigger, 10 Column, 90#Mate Position, Pin Length 5.50mm, Plated Through-Hole Dimension 0.39mm, Lead-Free

**Documents:**

<a href="#">3D Model</a>	<a href="#">Application Specification AS-76850-990-001 (PDF)</a>
<a href="#">Drawing (PDF)</a>	<a href="#">Packaging Specification PK-70873-8022-001 (PDF)</a>
<a href="#">Product Specification PS-45499-002-001 (PDF)</a>	<a href="#">Packaging Specification PK-70873-8023-001 (PDF)</a>
<a href="#">Product Specification PS-76060-999-001 (PDF)</a>	<a href="#">RoHS Certificate of Compliance (PDF)</a>
<a href="#">Application Specification AS-76060-9999-001 (PDF)</a>	

**Agency Certification**

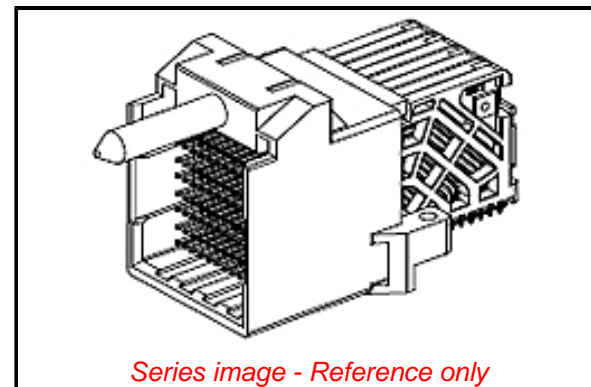
UL E29179

**General**

Product Family	Backplane Connectors
Series	<u>171575</u>
Application	Orthogonal Direct
Application Tooling Documents	TM-622018799
Component Type	PCB Header
Overview	<u>Impact™ Backplane Connectors and Cable Assemblies</u>
Product Name	Impact
UPC	887191301549

**Physical**

Circuits (Loaded)	150
Circuits (maximum)	150
Color - Resin	Black
Durability (mating cycles max)	200
First Mate / Last Break	No
Flammability	94V-0
Guide to Mating Part	Yes
Keying to Mating Part	None
Material - Metal	High Performance Alloy (HPA)
Material - Plating Mating	Gold
Material - Plating Termination	Tin
Material - Resin	High Temperature Thermoplastic
Net Weight	33.170/g
Number of Columns	10
Number of Pairs	5
Number of Rows	15
Orientation	Right Angle
PC Tail Length	1.20mm
PCB Locator	No
PCB Retention	Yes
PCB Thickness - Recommended	1.00mm
Packaging Type	Tray
Pitch - Mating Interface	1.35mm, 1.90mm, 2.15mm
Pitch - Termination Interface	1.35mm, 1.90mm, 2.15mm
Plating min - Mating	0.762µm
Polarized to PCB	Yes
Stackable	No
Temperature Range - Operating	-55° to +85°C
Termination Interface: Style	Through Hole - Compliant Pin



Series image - Reference only

**EU ELV**

**Not Relevant**

**EU RoHS**

**Compliant**

**REACH SVHC**

Not Contained Per - ED/71/2019 (16 July 2019)

**Halogen-Free**

**Status**

**Not Low-Halogen**

For more information, please visit [Contact US](#)

China ROHS

ELV

RoHS Phthalates

**China RoHS**

Green Image

Not Relevant

Not Contained

**Search Parts in this Series**

171575 Series

**Mates With**

76990 Impact 100 Ohm Right Angle Orthogonal Daughtercard

**Application Tooling | FAQ**

*Tooling specifications and manuals are found by selecting the products below. Crimp Height Specifications are then contained in the Application Tooling Specification document.*

**Global**

Description	Product #
Impact Daughter Card Extraction Tool	<u>622024300</u>
Impact Orthogonal Direct Ram Module Installation Press-In Tool 5-Pair by 10 Column	<u>622030028</u>

**Electrical**

Current - Maximum per Contact	0.75A
Data Rate	25.0 Gbps
Impedance	100Ω
Shield Type	N/A
Shielded	No
Voltage - Maximum	30V AC (RMS)/DC

**Solder Process Data**

Lead-free Process Capability	N/A
------------------------------	-----

**Material Info****Reference - Drawing Numbers**

Application Specification	AS-76060-9999-001, AS-76850-990-001
Packaging Specification	PK-70873-8022-001, PK-70873-8023-001
Product Specification	PS-45499-002-001, PS-76060-999-001
Sales Drawing	SD-171575-0002-001
Symbol/Footprint Data	SYM-171575-7108

This document was generated on 09/21/2019

**PLEASE CHECK [WWW.MOLEX.COM](http://WWW.MOLEX.COM) FOR LATEST PART INFORMATION**

# Mouser Electronics

Authorized Distributor

Click to View Pricing, Inventory, Delivery & Lifecycle Information:

[Molex:](#)

[171575-7108](#)