

LOC A1	DIST —	REVISIONS					
		P	LTR	DESCRIPTION	DATE	DWN	APVD
ÄNDERUNGEN, DIE DEM TECHNISCHEN FORTSCHRITT DIENEN, BEHALTEN WIR UNS VOR			2	REVISED PER ECO-11-005301	02MAR11	RK	HMR

EINZELHEITEN SIEHE ZEICHNUNGS-NR.  
826 467 BLATT 1 VON 2 (DIN A2)


RELEASED FOR PUBLICATION

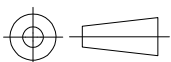
ALL RIGHTS RESERVED.

THIS DRAWING IS UNPUBLISHED.

By -  
COPYRIGHT -

—	—	—
BESTELL-NR.	WERKSTOFF	OBERFLÄCHE FARBE

DIMENSIONS: mm	DWN SAMSTAG 22.09.78	MATERIAL —	FINISH —			
TOLERANCES UNLESS OTHERWISE SPECIFIED:	CHK HÖWEL 07.12.78	 TE Connectivity				
	APVD —					
	0 PLC ± - 1 PLC ± - 2 PLC ± - 3 PLC ± - 4 PLC ± - ANGLES ± -	PRODUCT SPEC —	NAME RASTGABEL MIT ZUGENTLASTUNG			
	APPLICATION SPEC —	SIZE A4	CAGE CODE 00779	DRAWING NO C-926478	RESTRICTED TO —	
	WEIGHT —	CUSTOMER DRAWING		SCALE —	SHEET 1 OF 1	REV 2



# Mouser Electronics

Authorized Distributor

Click to View Pricing, Inventory, Delivery & Lifecycle Information:

[TE Connectivity:](#)

[926478-3](#)