

THIS DRAWING IS UNPUBLISHED.

RELEASED FOR PUBLICATION

ALL RIGHTS RESERVED.

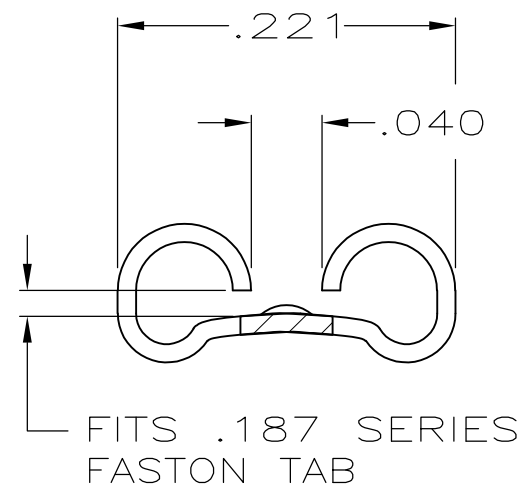
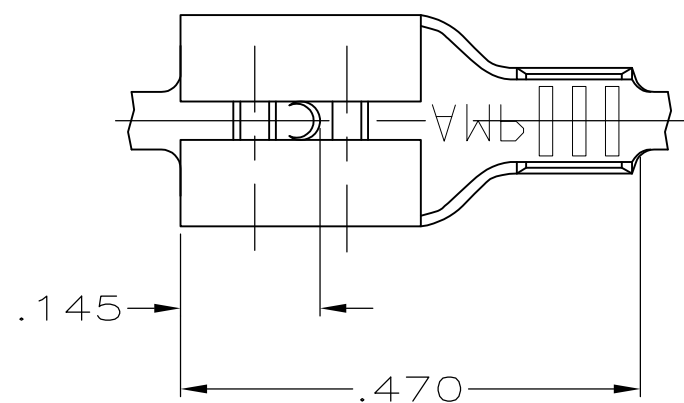
© COPYRIGHT - By -

LOC AF DIST 50

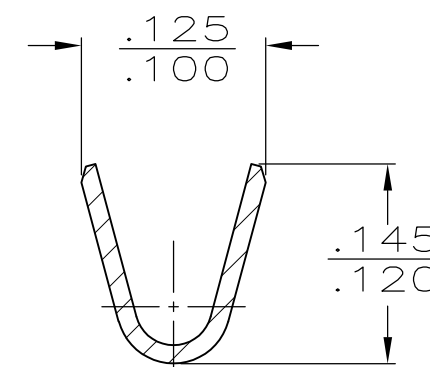
REVISIONS

P	LTR	DESCRIPTION	DATE	DWN	APVD
	L	REVISED PER ECR-12-013445	09NOV12	KH	PD

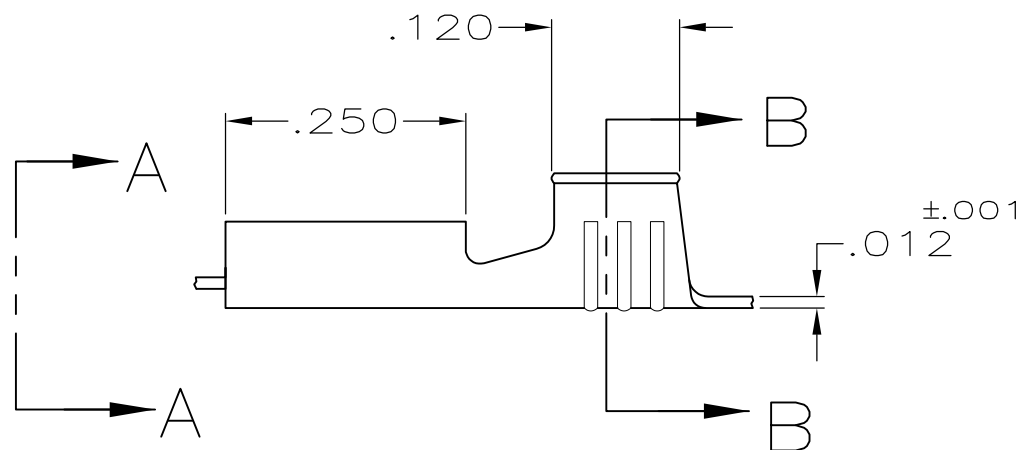
1 CONTINUOUS STRIP ON REELS



VIEW A-A SCALE 8:1



SECTION B-B SCALE 8:1



OBSOLETE

NICKEL	#2H STEEL	20-16	.020	42373-3
TIN	BRASS	20-16	.020	42373-2
-	#4H BRASS	20-16	.020	42373-1
FINISH	MATERIAL	WIRE SIZE	MATING TAB THK ±.001	PART NUMBER

STRIP LENGTH ±.015	TYPE	WIDTH	±.002 HEIGHT	WIRE
.188	F	.090	.060	16
			.053	18
			.049	20
WIRE BARREL CRIMP				

THIS DRAWING IS A CONTROLLED DOCUMENT.	
DIMENSIONS: INCHES	TOLERANCES UNLESS OTHERWISE SPECIFIED:
	0 PLC ± -
	1 PLC ± -
	2 PLC ± -
	3 PLC ± .015
	4 PLC ANGLES ± - ± -
MATERIAL SEE TABLE	FINISH SEE TABLE

DWN	JR RUTH	7/14/89
CHK	MS FEHER	7/14/89
APVD	C MEYERS	7/14/89
PRODUCT SPEC	-	-
APPLICATION SPEC	-	-
WEIGHT	-	-

STE TE Connectivity			
RECEPTACLE, FASTON™ .187 SERIES			
SIZE	CAGE CODE	DRAWING NO	RESTRICTED TO
A3	00779	C-42373	-
CUSTOMER DRAWING		SCALE 5:1	SHEET 1 OF 1 REV L

Mouser Electronics

Authorized Distributor

Click to View Pricing, Inventory, Delivery & Lifecycle Information:

[TE Connectivity:](#)

[42373-3](#)