

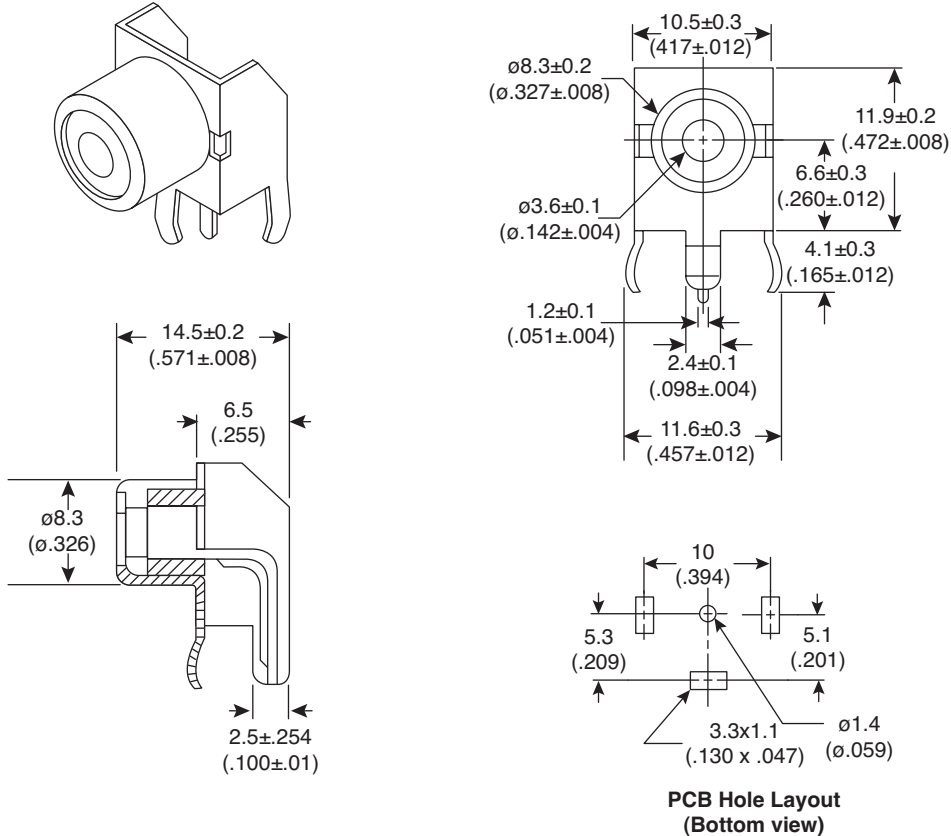
Right Angle RCA PCB Mount Phono Jacks

161-0340-E, 161-0350-E, 161-0360-E, 161-0370-E,
161-0380-E, 161-0390-E

KOBICONN

Right Angle RCA
PCB Mount Phono Jacks

161-0340-E, 161-0350-E, 161-0360-E, 161-0370-E,
161-0380-E, 161-0390-E



Dimensions: mm (in.)

SPECIFICATIONS

Type:	Right Angle, PCB Mount, Phono
Insulation Resistance:	10MΩ min. @ 500V RMS
Withstand Voltage:	1080VAC for 1 Minute
Humidity Test:	90% RH @ 40°C for 48 Hours
Temperature Rating:	70°C
Body:	Tin Plated Steel
Contact:	Tin Plated Brass
Insulator:	PBT
Withstand Heat:	250°C, 3 sec.
RoHS Compliant	

MOUSER STOCK NO.	Color
161-0340-E	Blue
161-0350-E	Green
161-0360-E	White
161-0370-E	Red
161-0380-E	Yellow
161-0390-E	Black

Date Last Revised: 07-05-07

Available from Mouser Electronics
1-800-346-6873 / www.mouser.com

KC-301160

Specifications are subject to change without notice. No liability or warranty implied by this information. Environmental compliance based on producer documentation.

Mouser Electronics

Authorized Distributor

Click to View Pricing, Inventory, Delivery & Lifecycle Information:

[Kobiconn:](#)

[161-0370-E](#) [161-0340-E](#) [161-0380-E](#) [161-0390-E](#) [161-0350-E](#)