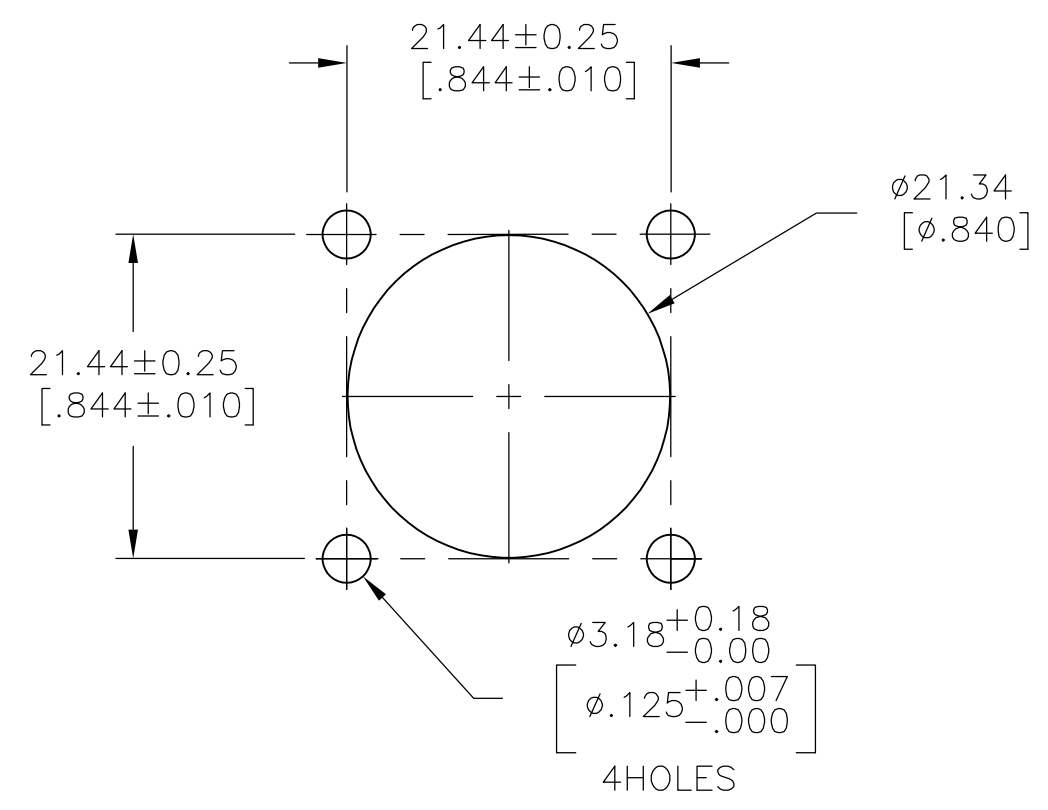
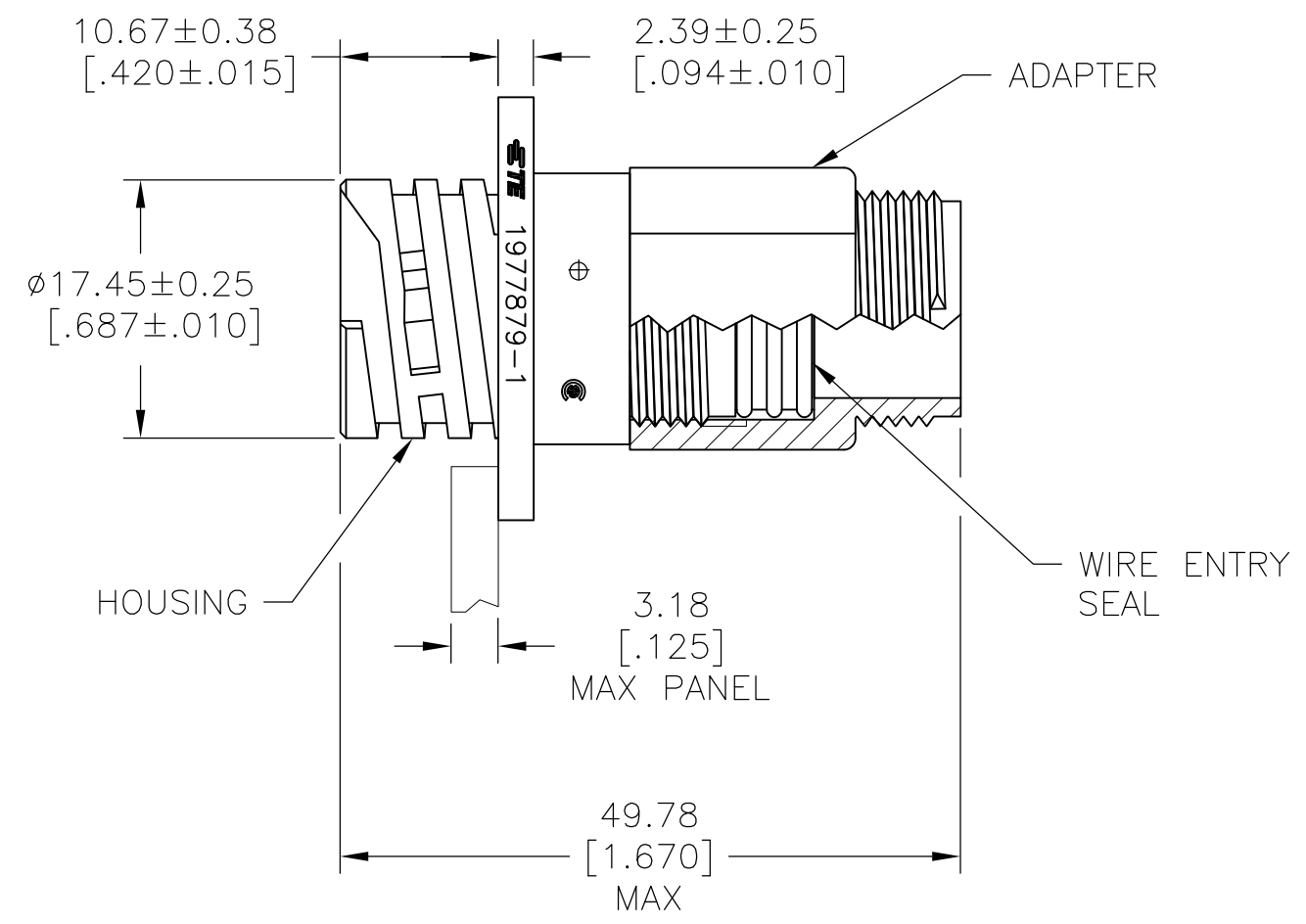
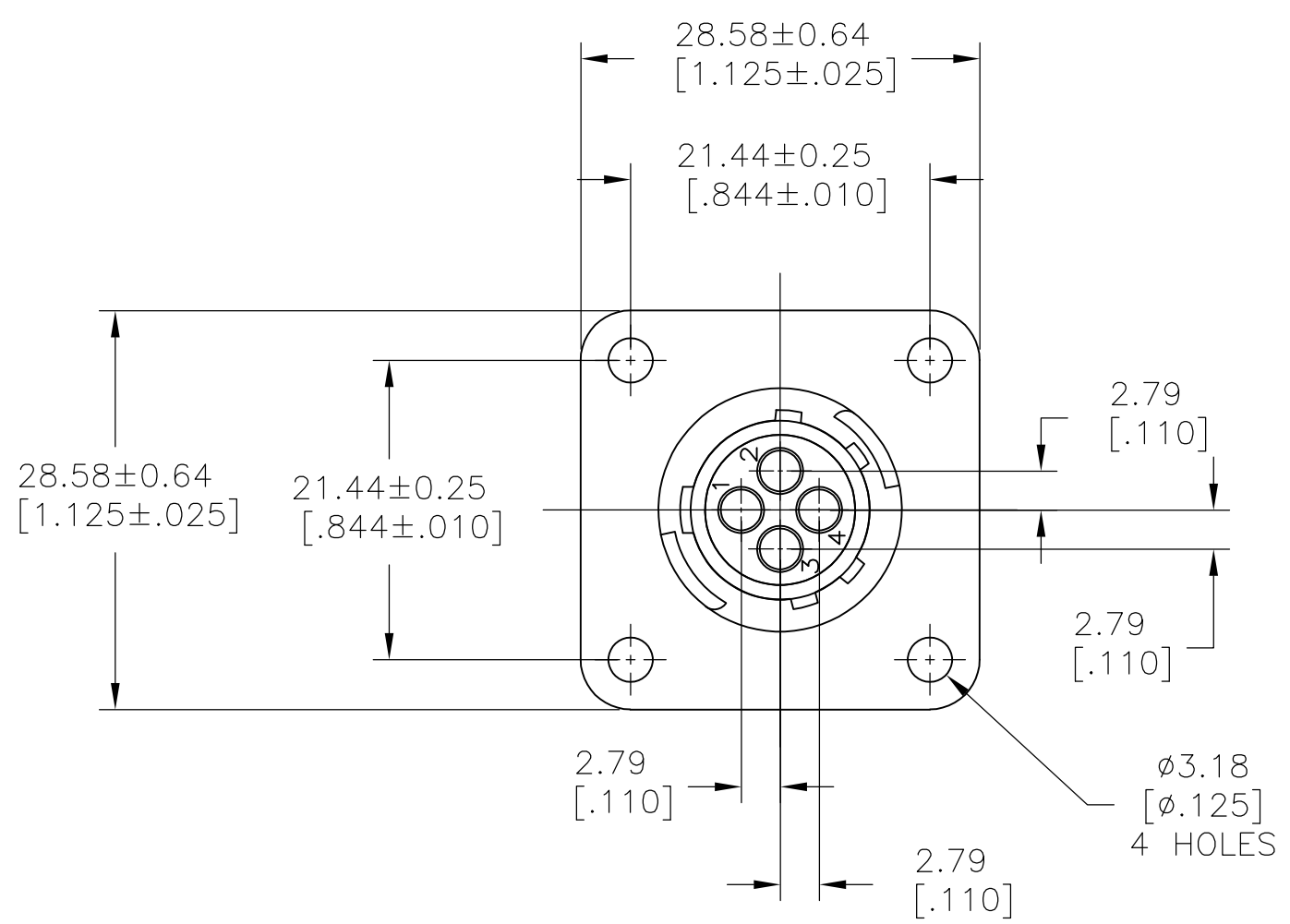


THIS DRAWING IS UNPUBLISHED. RELEASED FOR PUBLICATION  
 © COPYRIGHT - By - ALL RIGHTS RESERVED.

LOC	DIST	REVISIONS			
P	LTR	DESCRIPTION	DATE	DWN	APVD
FT	0	A	NEW DRAWING PER ECO-12-018480	08NOV12	KH MZ

- 1 HOUSING & ADAPTER: NYLON 6/6, BLACK.  
WIRE ENTRY SEAL: ELASTOMER, RED.
- 2 THIS CONNECTOR WILL ACCEPT FOUR (4)  
MULTIMATE SOCKET CONTACTS.



1977879-1  
PART NUMBER

THIS DRAWING IS A CONTROLLED DOCUMENT.		DWN KIRAN HOLAL	08NOV12	<b>STE</b> TE Connectivity	
DIMENSIONS: mm [INCHES]		CHK M ZITTO	08NOV12		
TOLERANCES UNLESS OTHERWISE SPECIFIED:		APVD M ZITTO	08NOV12	NAME CPC SQUARE FLANGE RECEPTACLE ASSEMBLY, SERIES 1, SEALED, 11-4, REVERSE SEX, UV RESISTANT	
0 PLC ± -		PRODUCT SPEC		108-1579	
1 PLC ± -		APPLICATION SPEC		114-10038	
2 PLC ± 0.13 [.005]		WEIGHT		-	
3 PLC ± -		MATERIAL		A300779	
4 PLC ± -		FINISH		-	
ANGLES ± -		CUSTOMER DRAWING		SCALE 2:1	
1		RESTRICTED TO		SHEET 1 OF 1	
		REV A			

RECOMMENDED PANEL CUTOUT

# Mouser Electronics

Authorized Distributor

Click to View Pricing, Inventory, Delivery & Lifecycle Information:

[TE Connectivity:](#)

[1977879-1](#)