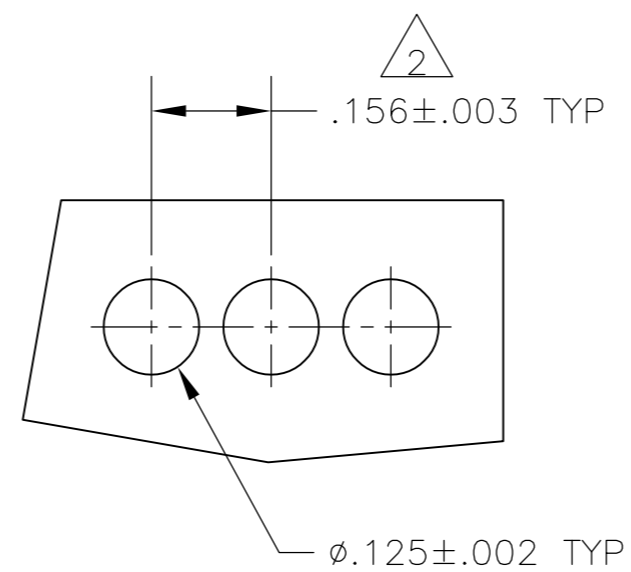
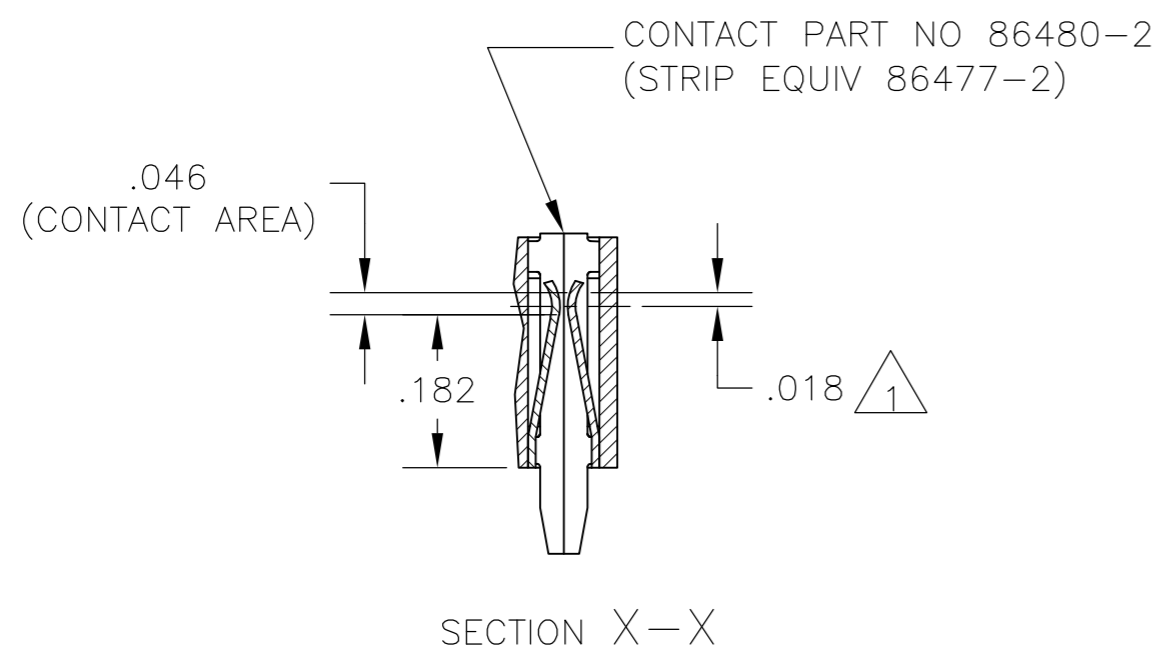
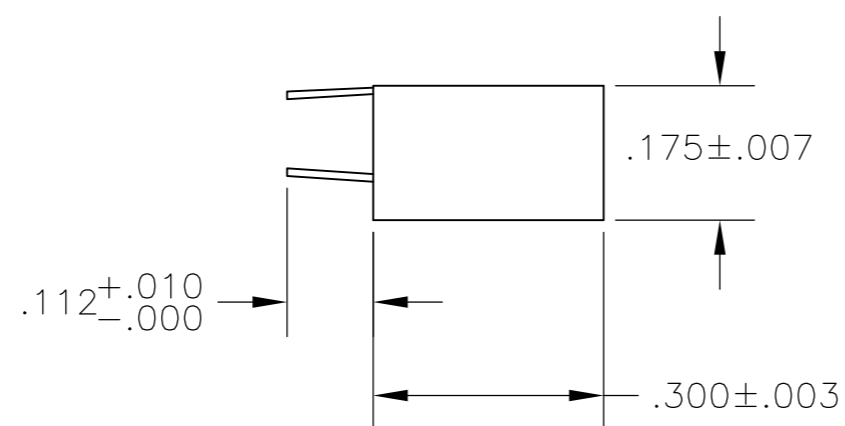
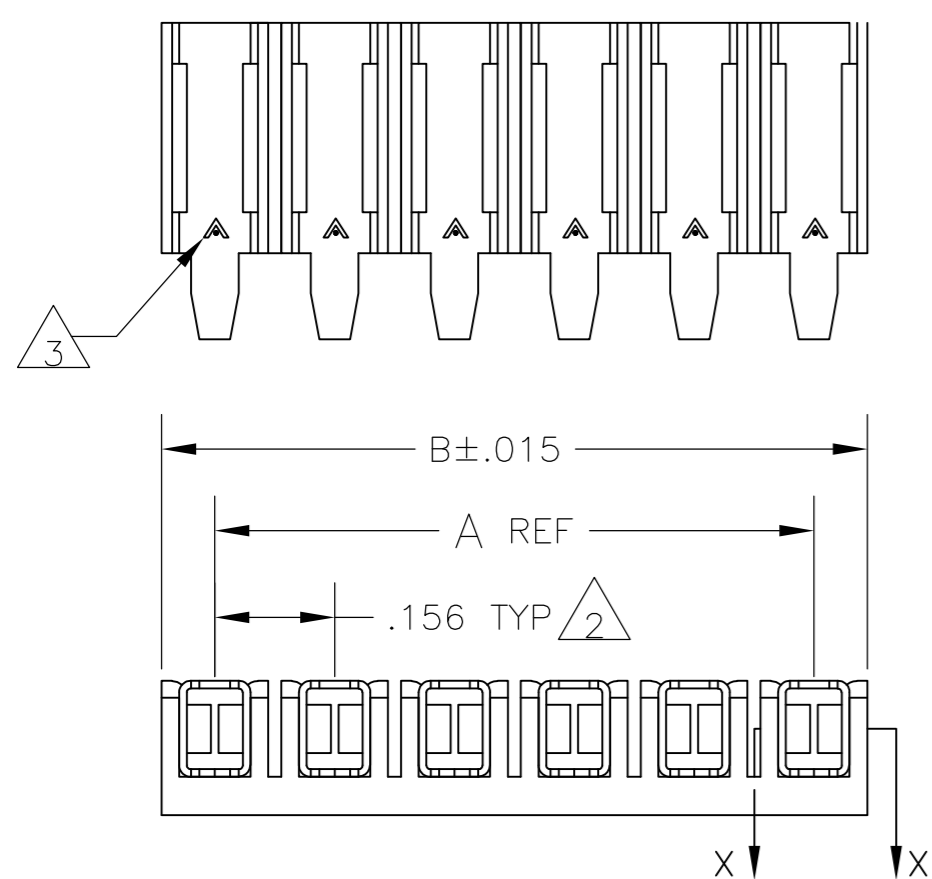


THIS DRAWING IS UNPUBLISHED. RELEASED FOR PUBLICATION  
 © COPYRIGHT BY TYCO ELECTRONICS CORPORATION. ALL RIGHTS RESERVED.

LOC		DIST		REVISIONS			
P	LTR	DESCRIPTION	DATE	DWN	APVD		
	J2	REVISED ECO-10-018971	17SEP10	HMR	JO		



- 1 POINT OF MEASUREMENT FOR PLATING THICKNESS (INSIDE OF BEAMS).
- 2 TOLERANCE NON-CUMULATIVE.
- 3 THE MATING END OF THE CONTACT IS IDENTIFIED BY THE LETTER "A" STAMPED ON THE RECEPTACLE BOX.
- 4 OBSOLETE PARTS: OBSOLETE CIS STREAMLINING PER D.RENAUD/D.SINISI



B	A	NO OF POSN	ASSEMBLY PART NUMBER
	2.964	19	<del>1-87984-9</del>
	2.808	18	<del>1-87984-8</del>
	2.652	17	<del>1-87984-7</del>
	2.496	16	<del>1-87984-6</del>
	2.340	15	<del>1-87984-5</del>
	2.184	14	<del>1-87984-4</del>
	2.028	13	<del>1-87984-3</del>
	1.872	12	<del>1-87984-2</del>
	1.716	11	<del>1-87984-1</del>
	1.560	10	<del>1-87984-0</del>
	1.404	9	87984-9
	1.248	8	87984-8
	1.092	7	87984-7
	.936	6	87984-6
	.780	5	87984-5
	.624	4	87984-4
	.468	3	87984-3
	.312	2	87984-2

THIS DRAWING IS A CONTROLLED DOCUMENT.		DWN 17MAR86 L D RINGLEY	Tyco Electronics Corporation Harrisburg, PA 17105-3608	
DIMENSIONS: INCHES		CHK 18MAR86 P C DEJONG	ASSY, MOD I, BOARD MOUNT RECP, .156CL, STD PRESSURE, TYPE A, FOR ROUND HOLE MOUNTING	
TOLERANCES UNLESS OTHERWISE SPECIFIED:		APVD 18MAR86 P C DEJONG	PRODUCT SPEC 108-25,016	RESTRICTED TO
0 PLC ± -		APPLICATION SPEC 114-25,004	SIZE A2	CAGE CODE 00779
1 PLC ± -		WEIGHT -	DRAWING NO C=87984	
2 PLC ± -		CUSTOMER DRAWING		
3 PLC ± .005		SCALE 4:1		
4 PLC ± -		SHEET 1 OF 1		
ANGLES ± -		REV J2		
MATERIAL: HOUSING-FLAME RETARDANT THERMOPLASTIC, COLOR-BLACK, CONTACTS: PHOS BRONZE		FINISH: .000030 GOLD IN THE CONTACT AREA, GOLD FLASH ON THE REMAINDER, ALL OVER .000050 NICKEL		

# Mouser Electronics

Authorized Distributor

Click to View Pricing, Inventory, Delivery & Lifecycle Information:

[TE Connectivity:](#)

[87984-7](#)