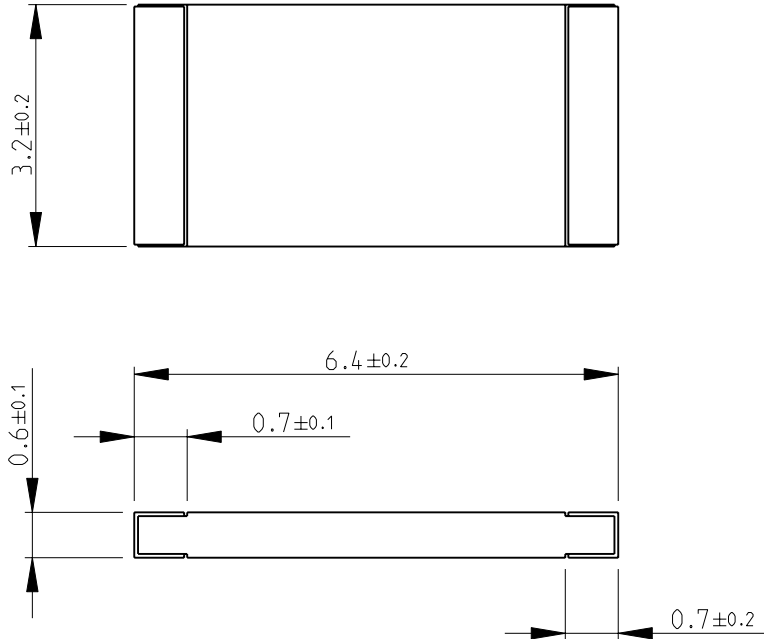
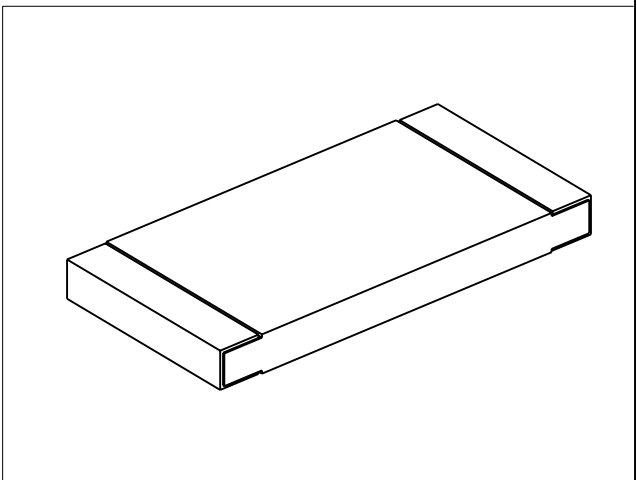


LOC	DIST	REVISIONS			
P	LTR	DESCRIPTION	DATE	DWN	APVD
E	B	BA1	REVISED PER ECO-11-005150	28MAR2011	RK HMR



FOR FURTHER INFORMATION SEE DATA SHEET FOR
3520 SERIES-SMD POWER RESISTORS

RoHS Compliant



2008


RELEASED FOR PUBLICATION

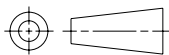
ALL RIGHTS RESERVED.

THIS DRAWING IS UNPUBLISHED.

BY -

© COPYRIGHT 2008

DIMENSIONS: mm	DWN SUBHASH.M	01-DEC-08	MATERIAL	-	FINISH	-
	CHK PRAKASH.S	01-DEC-08	 TE Connectivity			
TOLERANCES UNLESS OTHERWISE SPECIFIED:	APVD STEPHEN.P	01-DEC-08				
	0 PLC ±0.2	PRODUCT SPEC	NAME SMD POWER RESISTOR SERIES 3520			
1 PLC ±0.1	-					
2 PLC ±	APPLICATION SPEC	SIZE	CAGE CODE	DRAWING NO	RESTRICTED TO	
3 PLC ±	-	A 4	00779	C-1622820	-	
4 PLC ±	-	CUSTOMER DRAWING				
ANGLES ±5°	WEIGHT	-	SCALE	10:1	SHEET 1 OF 1	REV BA1



Mouser Electronics

Authorized Distributor

Click to View Pricing, Inventory, Delivery & Lifecycle Information:

[TE Connectivity:](#)

[352015RJT](#)