

Max. 255 m³/h

DC centrifugal fans

Ø 165 x 51 mm



- **Material:** Impeller: GRP¹⁾
 - **Direction of air flow:** Axial: Intake,
Centrifugal: Exhaust
 - **Direction of rotation:** Counterclockwise,
looking towards rotor
 - **Connection:** via single wires AWG 22, TR 64
 - **Highlights:** Backward-curved impeller
 - **Weight:** 590 g
- **Possible special versions:**
(See chapter DC fans - specials)
 - Speed signal
 - Go / NoGo alarm
 - Alarm with speed limit
 - External temperature sensor
 - Internal temperature sensor
 - PWM control input
 - Analog control input
 - Moisture protection
 - Salt spray protection
 - Degree of protection: IP 54

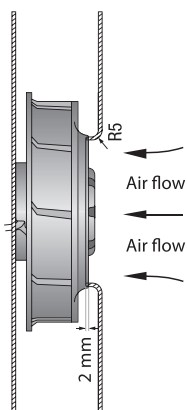
1) Fiberglass-reinforced plastic

Series RER 160 N

Nominal data

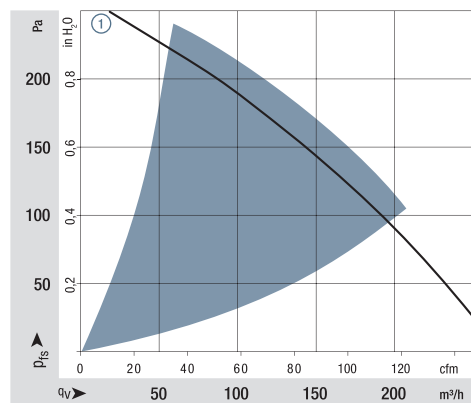
| Type | Air flow | | Nominal voltage | Voltage range | | Sound power level | Sinter sleeve bearings Ball bearings | Power consumption | Nominal speed | Temperature range | Service life L ₁₀ (40 °C) ebm-papst standard | Service life L ₁₀ (T _{max}) ebm-papst standard | Life expectancy L ₁₀ (IPC (40 °C) see page 17 | Curve |
|-----------------|-------------------|-----|-----------------|---------------|-----|-------------------|---|-------------------|---------------|-------------------|--|--|---|-------|
| | m ³ /h | cfm | | VDC | VDC | | | | | | | | | |
| RER 160-28/12 N | 255 | 150 | 12 | 7...14 | 6.4 | ■ | 19.0 | 3 000 | -20...+70 | 75 000 / 37 500 | 127 500 | ① | | |
| RER 160-28/14 N | 255 | 150 | 24 | 12...28 | 6.4 | ■ | 19.0 | 3 000 | -20...+70 | 75 000 / 37 500 | 127 500 | ① | | |
| RER 160-28/18 N | 255 | 150 | 48 | 28...60 | 6.4 | ■ | 19.0 | 3 000 | -20...+70 | 75 000 / 37 500 | 127 500 | ① | | |

Subject to change

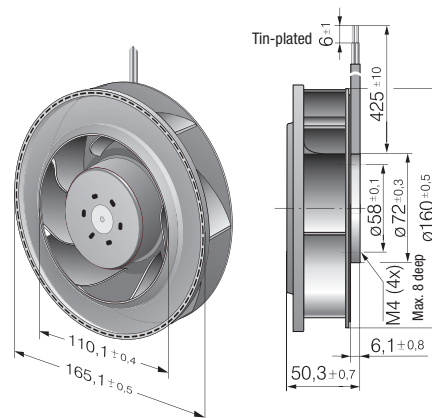


The air flow and sound level of the centrifugal fans without external housing depend on their individual installation conditions.

The stated air flow and sound level were recorded under the following measurement parameters:
Centrifugal fan mounted on a foundation plate
260 x 260 mm.
Cover plate 260 x 260 mm, with an air inlet opening
Ø 100 mm, arranged concentrically to the impeller.



Air performance measured according to: ISO 5801.
Installation category A, with ebm-papst inlet ring without contact protection.
Noise: Total sound power level L_{WA} ISO 103002 measured on a hemisphere with a distance of 2 m;
Sound pressure level L_{PA} measured at 1 m distance from fan axis.
The values given are applicable only under the specified measuring conditions and may differ depending on the installation conditions.
In the event of deviation from the standard configuration, the parameters must be checked after installation!
For detailed information see
<http://www.ebmpapst.com/general-conditions>



Mouser Electronics

Authorized Distributor

Click to View Pricing, Inventory, Delivery & Lifecycle Information:

[ebm-papst:](#)

[RER160-28/12N](#) [RER160-28/14N](#) [RER160-28/12N/12](#)