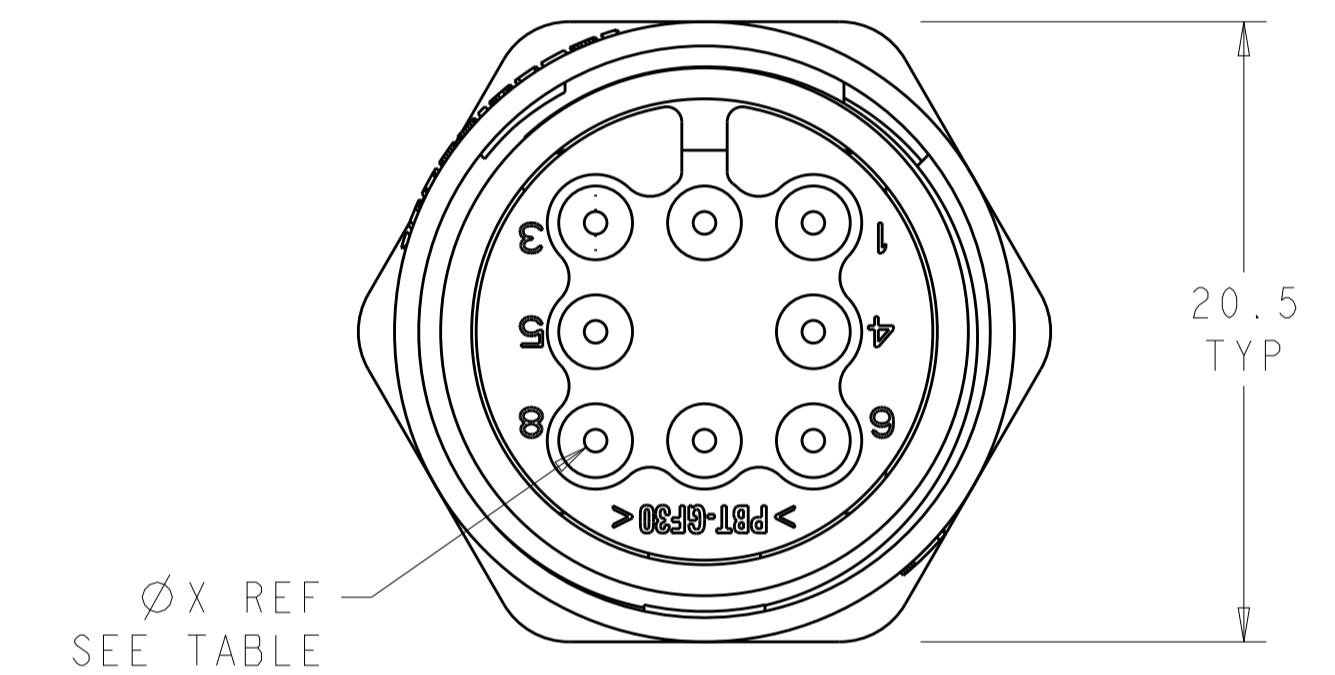
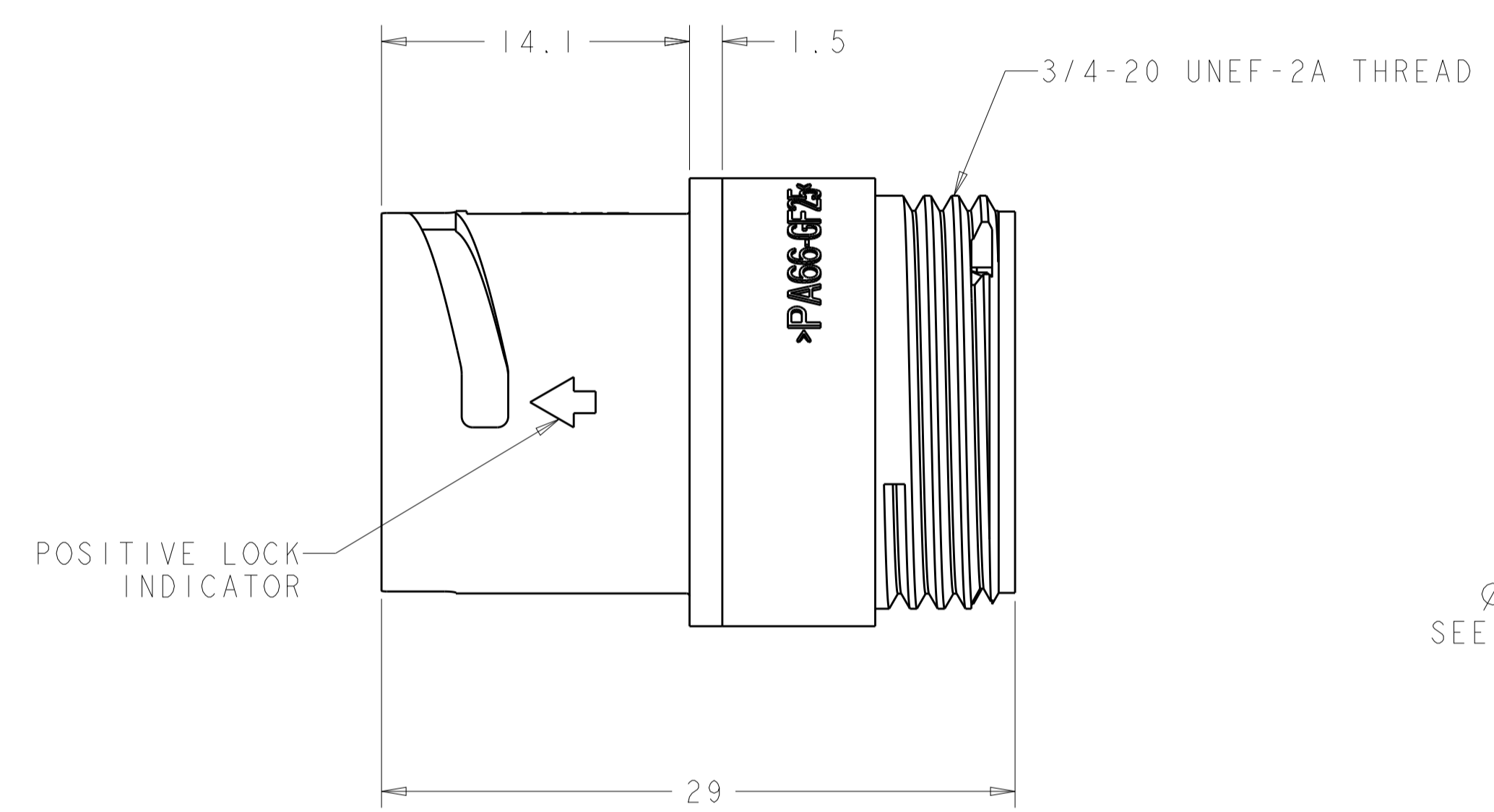
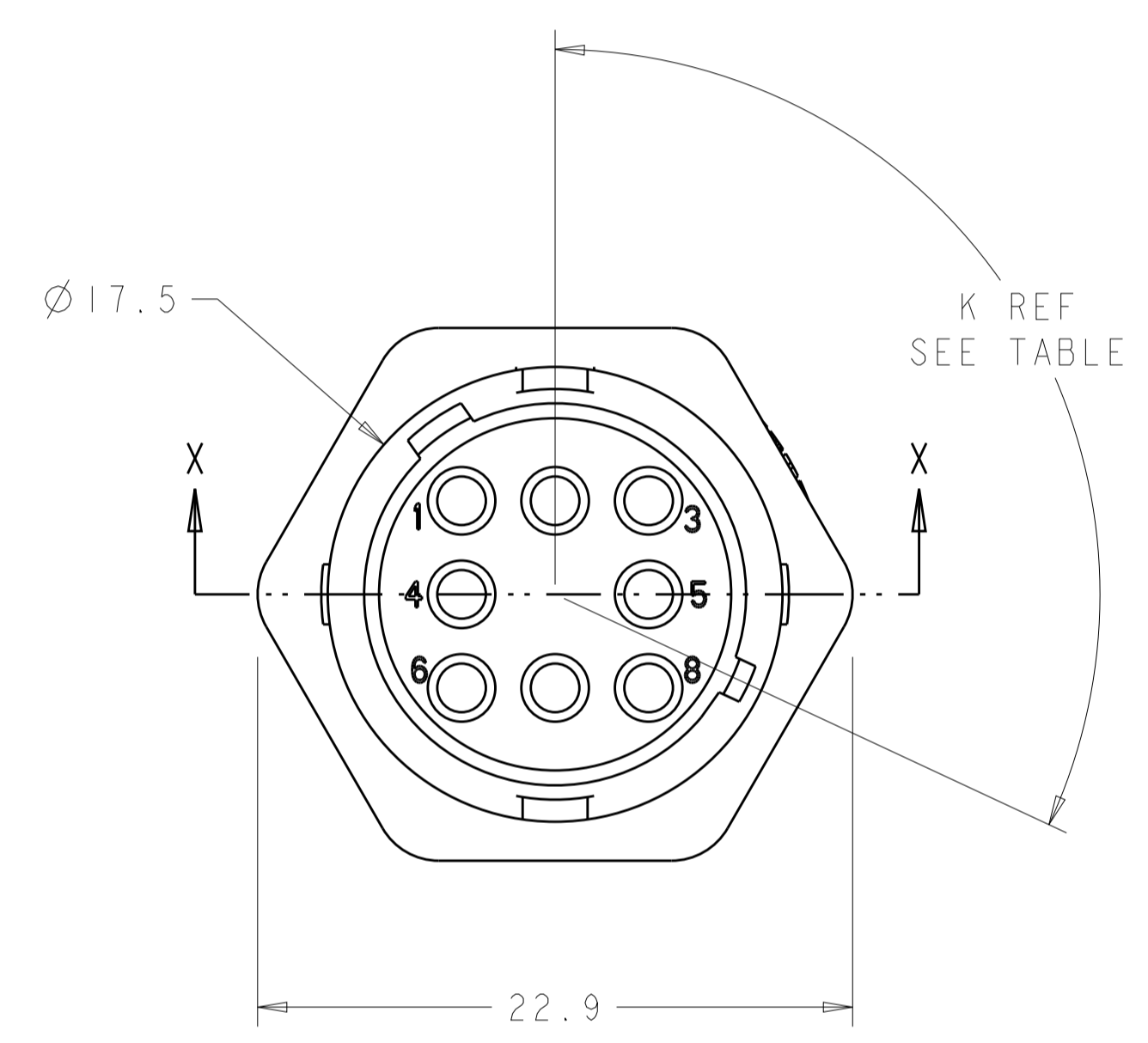
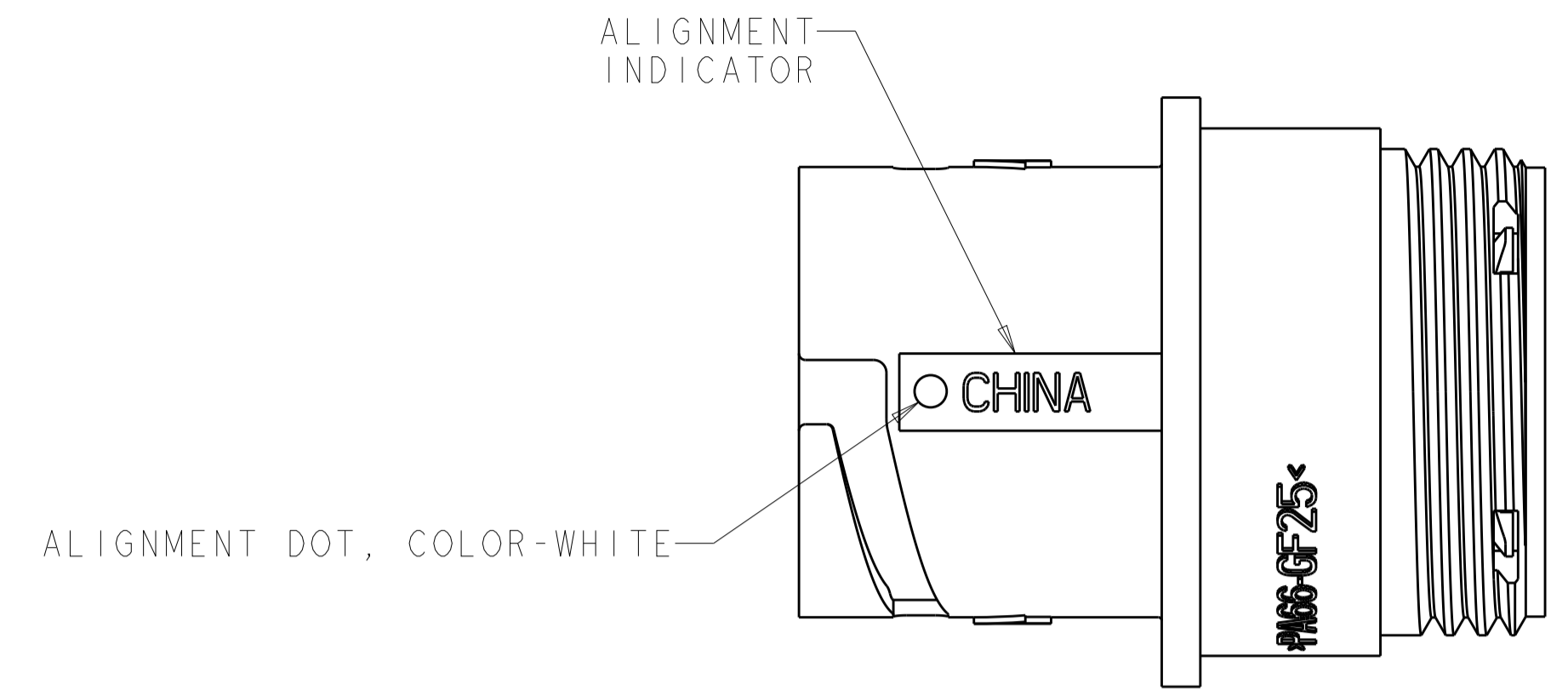
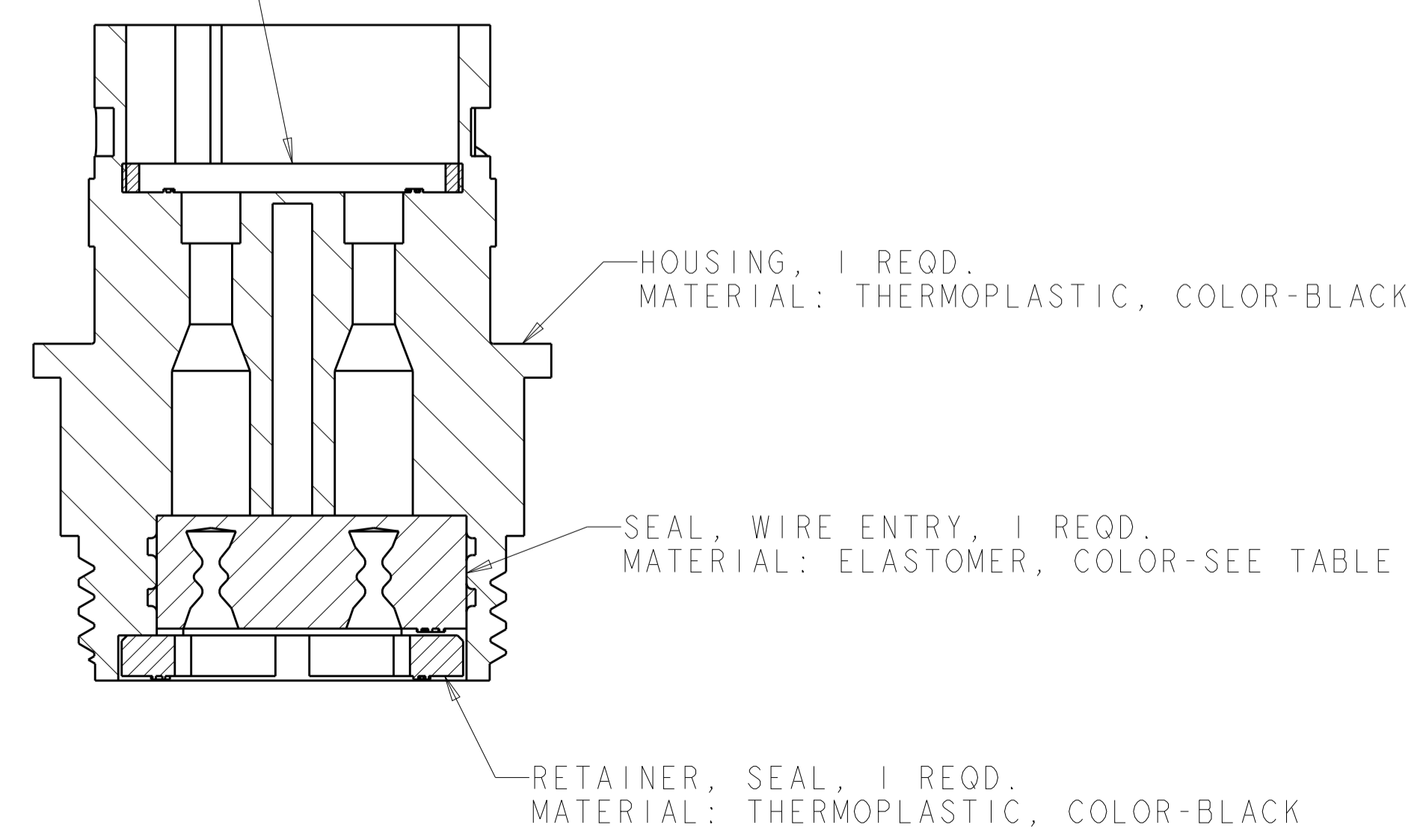


REVISIONS				
P.	LTM	DESCRIPTION	DATE	OWN APVD
B1		REVISED PER ECO-15-010004	11JUL2015	NK MZ
C		REVISED PER ECO-16-018352	23MAR2017	RS MZ



SEAL, PERIPHERAL, 1 REQD.
 MATERIAL: ELASTOMER, COLOR-GRAY



SECTION X-X

OBSELETE	YELLOW	Ø0.75	135°	1445826-04
	NATURAL	Ø1.5	115°	1445826-03
OBSELETE	NATURAL	Ø1.5	135°	1445826-02
	YELLOW	Ø0.75	115°	1445826-01
	SEAL, WIRE ENTRY COLOR	Ø X REF	K REF	PART NUMBER

THIS DRAWING IS A CONTROLLED DOCUMENT. DWN: SHANE WIESE, 22OCT2001
 CHK: G DOUTY, 22OCT2001

APVD: H. WAKEEM, 13JUN2003

NAME: ASSEMBLY, SIZE 11, 8 POSITION, FREE HANGING, SEALED, MINI CPC

SIZE: A1, CAGE CODE: 1445826, DRAWING NO: 100779, REV: C

SCALE: 4:1, SHEET: 1 OF 1

CUSTOMER DRAWING

Mouser Electronics

Authorized Distributor

Click to View Pricing, Inventory, Delivery & Lifecycle Information:

[TE Connectivity:](#)

[1445826-1](#)