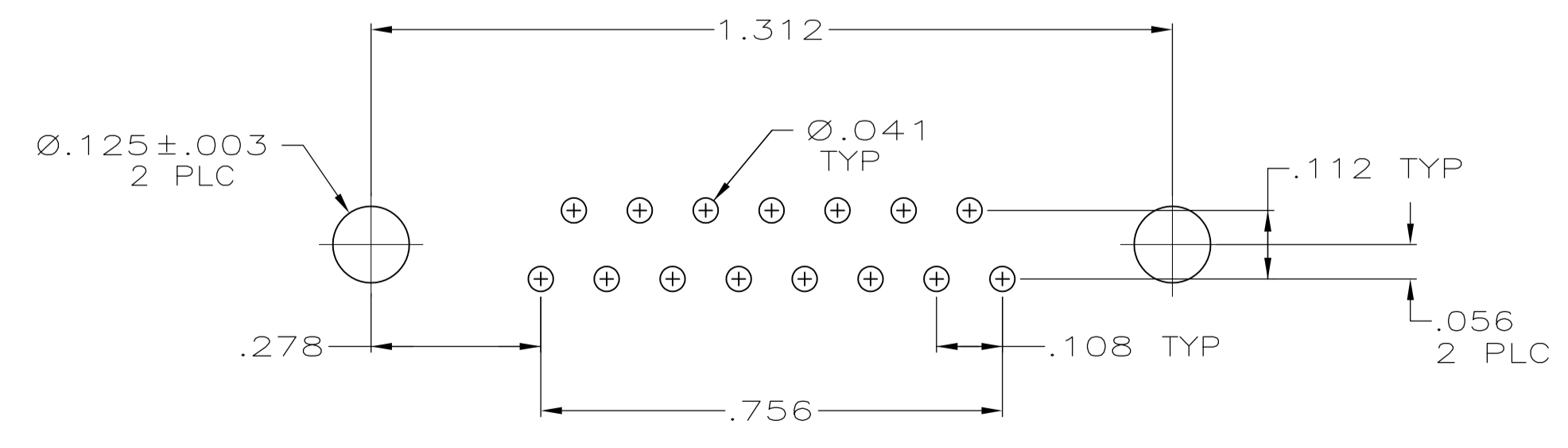
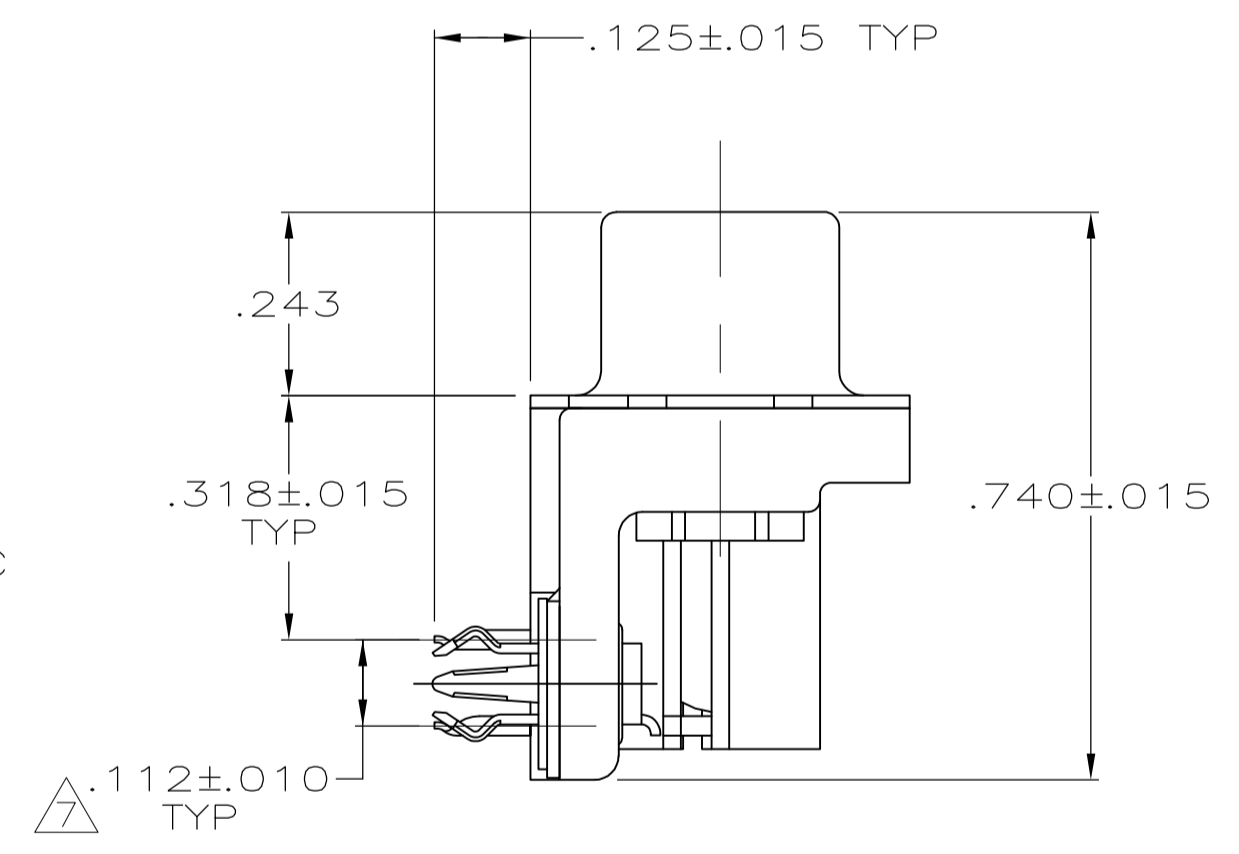
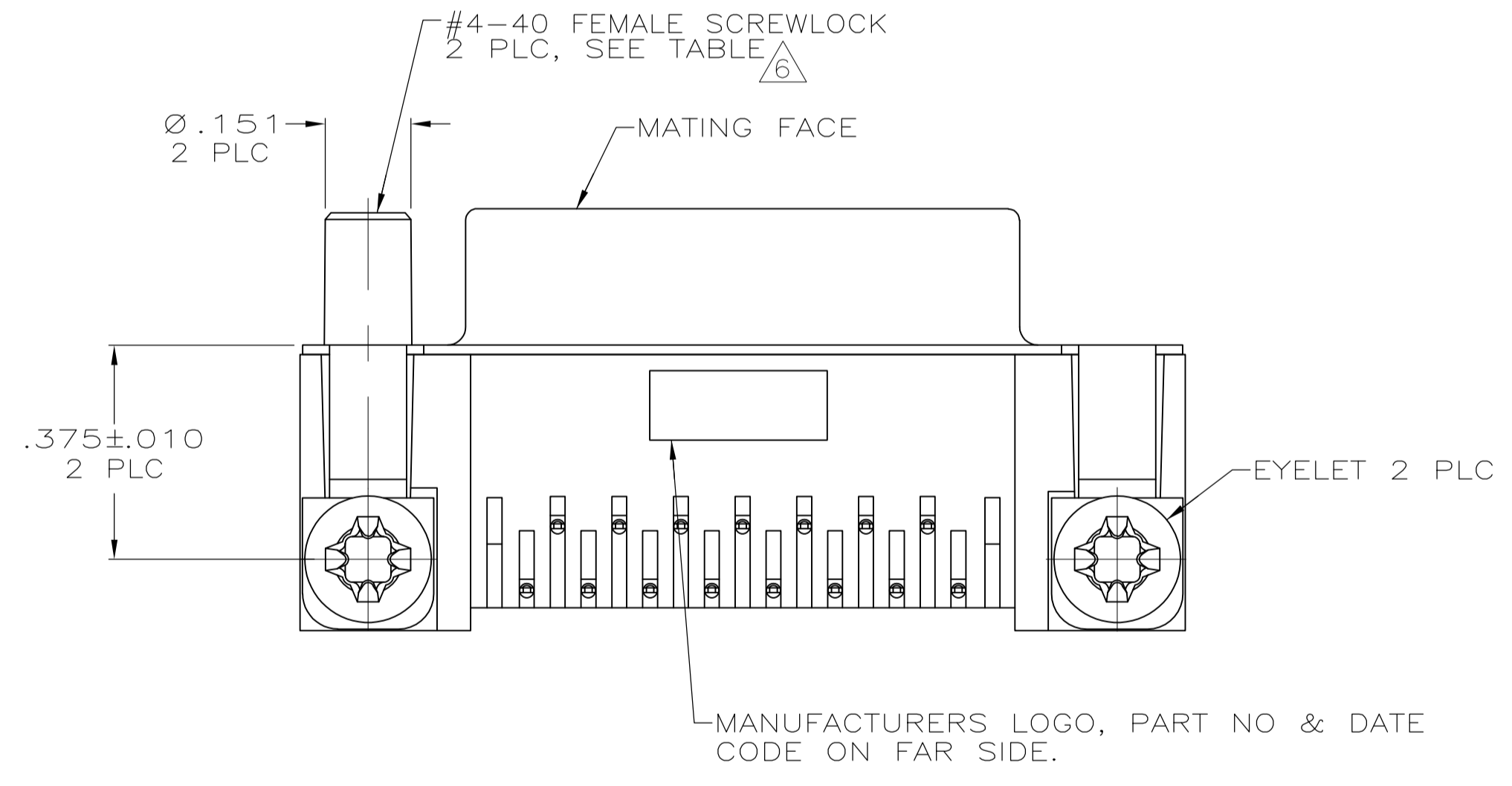
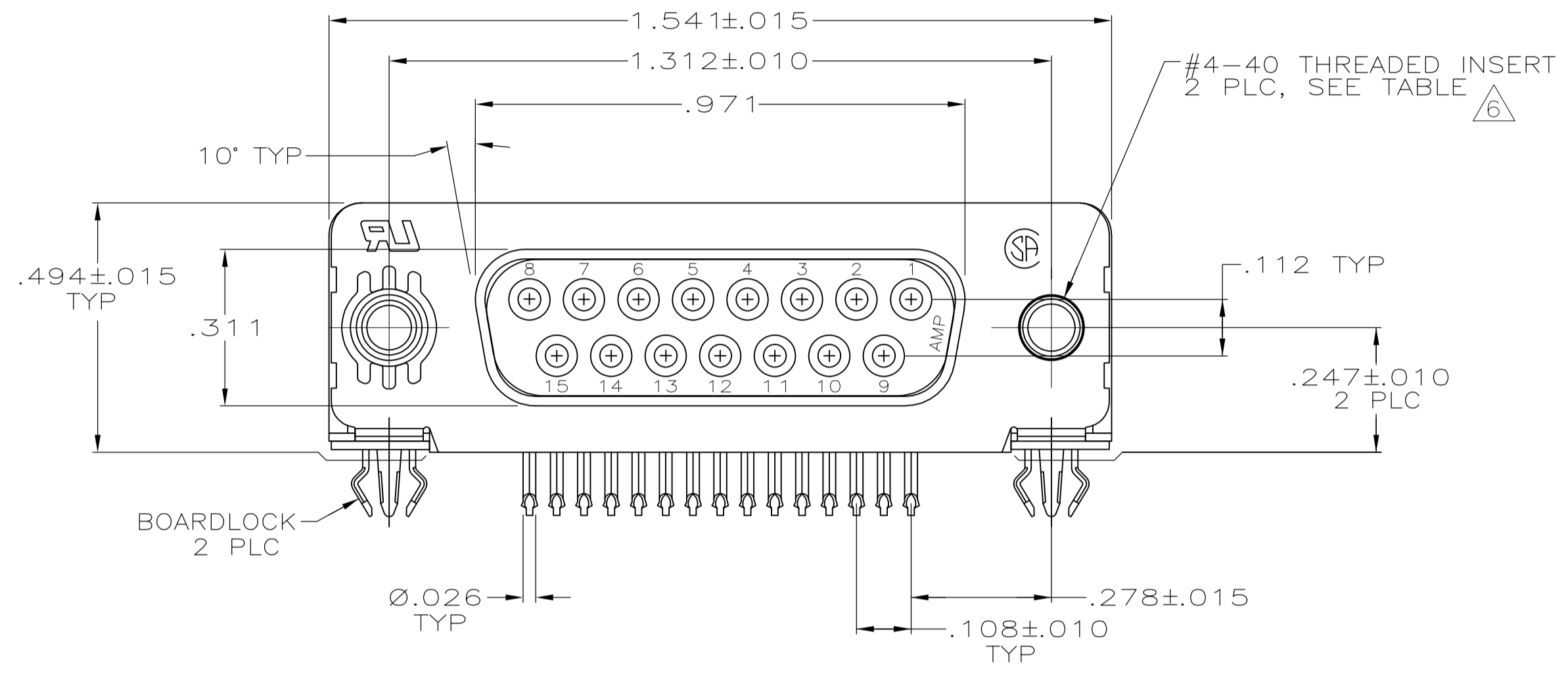


| LOC |             | DIST          |             | REVISIONS |    |      |  |
|-----|-------------|---------------|-------------|-----------|----|------|--|
| P   | LTR         | DATE          | DESCRIPTION | DATE      | DN | APVD |  |
| A2  | REVISED PER | ECO-11-004835 |             | 11MAR11   | RK | HMR  |  |



PC BOARD MOUNTING DIMENSIONS

1. CONNECTOR MATES WITH ANY 25 POSN PLUG IN AMPLIMITE SERIES.
2. MOLDED PARTS: FLAME RETARDANT 94V-0 RATED THERMOPLASTIC, BLACK. SHELL: CARBON STEEL. CONTACTS: PHOSPHOR BRONZE. EYELETS: BRASS. SCREWLOCKS: ZINC. INSERTS: ZINC. BOARDLOCKS: COPPER ALLOY.
3. SHELL: .000100 MIN TIN OVER .000050 MIN COPPER. CONTACTS: SEE TABLE. EYELETS: .000100 MIN TIN OVER COPPER FLASH. BOARDLOCKS: .000150 MIN TIN OVER .000050 MIN NICKEL. INSERTS AND SCREWLOCKS: CLEAR CHROMATE.
4. GOLD FLASH FOR A DISTANCE OF .100 MIN FROM MATING END, .000100 MIN TIN ON TERMINATION END, ALL OVER .000050 MIN NICKEL ON ENTIRE CONTACT.
5. .000030 GOLD FOR A DISTANCE OF .100 MIN FROM MATING END, .000100 MIN TIN ON TERMINATION END, ALL OVER .000050 MIN NICKEL ON ENTIRE CONTACT.
6. SCREWLOCKS & INSERTS WILL WITHSTAND 6 IN-LBS TORQUE & 20 LBS PULL OUT FORCE FROM MATING FACE SIDE.
7. DIMENSION APPLIES FROM CENTER OF CONTACTS.
8. SPECIAL PACKAGING REQUIRED.
9. OBSOLETE PARTS: OBSOLETE CIS STREAMLINING PER D.RENAUD/D.SINISI

|                   |                   |                |             |
|-------------------|-------------------|----------------|-------------|
| OBSOLETE          | THREADED INSERTS  | 5              | 1-5747845-1 |
|                   | FEMALE SCREWLOCKS | 5              | 5747845-6   |
|                   | FEMALE SCREWLOCKS | 4              | 5747845-5   |
|                   | THREADED INSERTS  | 5              | 5747845-4   |
| OBSOLETE          | THREADED INSERTS  | 4              | 5747845-3   |
|                   | .125 DIA HOLES    | 5              | 5747845-2   |
| MOUNTING HARDWARE |                   | CONTACT FINISH | PART NUMBER |

THIS DRAWING IS A CONTROLLED DOCUMENT.

|                    |  |  |                        |                           |                  |
|--------------------|--|--|------------------------|---------------------------|------------------|
| DIMENSIONS: INCHES | TOLERANCES UNLESS OTHERWISE SPECIFIED: | DIN L. VARELA - DOCKS 04-05-05   | CIK S. BOLASH 04-05-05 | APVD M. WALMSLEY 04-05-05 | NAME             |
| 0 PLC ± -          | 1 PLC ± -                              | RECEPTACLE ASSEMBLY, SIZE 2, 15 POSITION, RIGHT ANGLE, FRONT METAL SHELL, .318 SERIES, .026 DIA POSTS, BOARDLOCKS, AMPLIMITE HD-20 |                        |                           | PRODUCT SPEC     |
| 2 PLC ± -          | 3 PLC ± .005                           | 108-40025  |                        |                           | APPLICATION SPEC |
| 4 PLC ± -          | ANGLES ± °                             | SIZE 114-40010   | CAGE CODE              | DRAWING NO                | RESTRICTED TO    |
| MATERIAL           | FINISH                                 | WEIGHT   | A1 00779               | 5747845                   |                  |
|                    |  | CUSTOMER DRAWING   |                        | SCALE 4:1                 | SHEET 1 OF 1     |

STE TE Connectivity

# Mouser Electronics

Authorized Distributor

Click to View Pricing, Inventory, Delivery & Lifecycle Information:

[TE Connectivity:](#)

[5747845-3](#)