

MATERIALS AND FINISHES

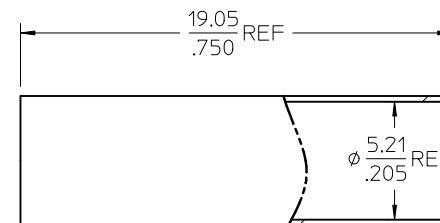
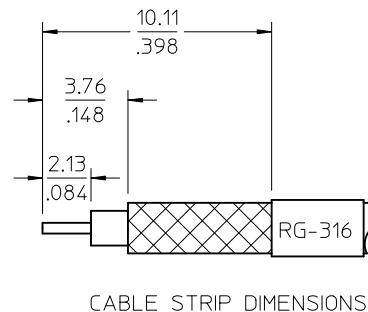
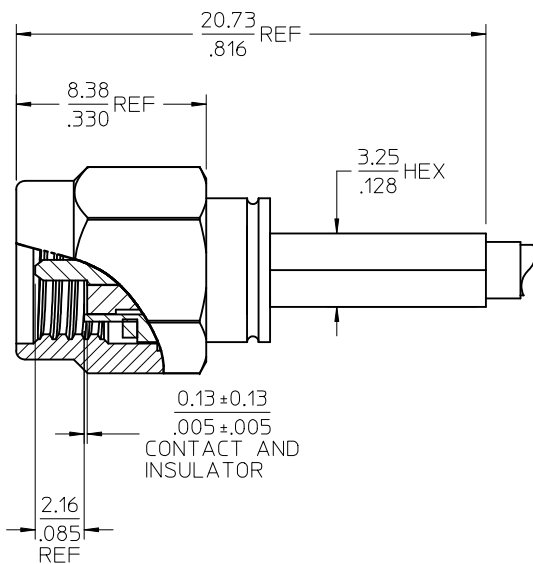
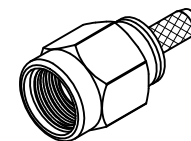
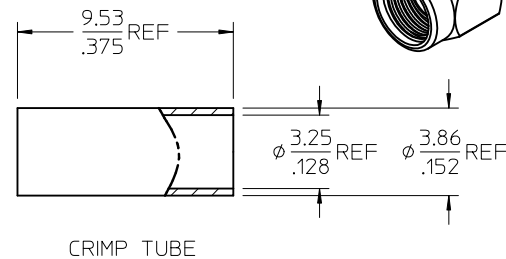
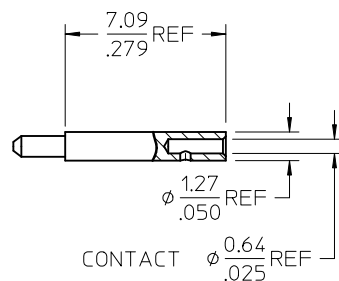
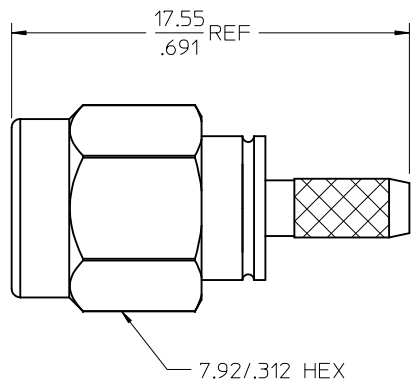
BODY, NUT STAINLESS STEEL
PLATED (SEE TABLE)

CENTER CONTACT
PLATED (SEE TABLE)

INSULATOR TEFLON

CRIMP TUBE BRASS
PLATED (SEE TABLE)

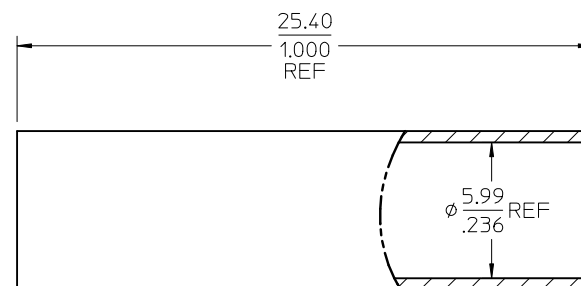
SHRINK TUBE
(SEE TABLE)



VERSAFIT SHRINK TUBE
(SEE TABLE)

AS CABLED
(NO SHRINK TUBE)

CABLE STRIP DIMENSIONS



ATUM SHRINK TUBE
(SEE TABLE)

SEE SHEET TWO
FOR PART NUMBERS

CHG: UPDATE STRIP SHOW INTERFACE ADD ATUM VIEW	EC NO: URF2012-0444	2012/02/02	QUALITY SYMBOLS ▽=0 ▽=0
	DRWN: WIENER	2012/02/02	
	CHKD: SSS	2012/02/02	
	APPR: WIENER	2012/02/06	
REV: A6	DESCRIPTION		

GENERAL TOLERANCES (UNLESS SPECIFIED)	
mm	INCH
4 PLACES ± .005	± .0004
3 PLACES ± .005	± .0004
2 PLACES ± .005	± .0004
1 PLACE ± .005	± .0004
ANGULAR ± 2°	
DRAFT WHERE APPLICABLE MUST REMAIN WITHIN DIMENSIONS	

DIMENSION STYLE MM/IN	
DRAWN BY	DATE
NBJ	1997/11/17
CHECKED BY	DATE
DHG	1997/11/17
APPROVED BY	DATE
GMH	1997/11/17
MATERIAL NO.	DOCUMENT NO.
SEE SHEET 2	SD-73251-015
SIZE	
C	

SCALE	DESIGN UNITS	THIRD ANGLE PROJECTION
	METRIC	
TITLE		
SMA PLUG, STR, 50 OHMS RG-316 CABLE GROUP EWR-2731 SMA-PC		
MOLEX INCORPORATED		
SHEET NO.		1 OF 2
THIS DRAWING CONTAINS INFORMATION THAT IS PROPRIETARY TO MOLEX INCORPORATED AND SHOULD NOT BE USED WITHOUT WRITTEN PERMISSION		

13 12 11 10 9 8 7 6 5 4 3 2 1

PS-89675-3460	ELEC./MECH. PERFORM
MIL-STD-348A, FIG. 310.1	INTERFACE
SPECIFICATION	DESCRIPTION

73251-0155	GOLD (8 MICROINCHES MIN)	GOLD (8 MICROINCH MIN)	BRASS / GOLD (8 MICROINCHES MIN)	NONE	BULK 100 PER BAG
73251-0154	PASSIVATED	NICKEL (100 MICROINCHES MIN)	BeCu / GOLD (50 MICROINCHES MIN)	VERSAFIT	TRAY (20 CAVITY)
73251-0153	GOLD (5 MICROINCHES MIN)	GOLD (FLASH)	BRASS / GOLD (10 MICROINCHES MIN)	NONE	BULK 100 PER BAG
73251-0152	PASSIVATED	NICKEL (100 MICROINCHES MIN)	BeCu / GOLD (50 MICROINCHES MIN)	ATUM	ONE PER BAG
73251-0151	PASSIVATED	NICKEL (100 MICROINCHES MIN)	BeCu / GOLD (50 MICROINCHES MIN)	VERSAFIT	ONE PER BAG
73251-0150	GOLD (5 MICROINCHES MIN)	GOLD (FLASH)	BRASS / GOLD (10 MICROINCHES MIN)	VERSAFIT	ONE PER BAG
PART NUMBER	PLATING BODY/COUP'G NUT	PLATING CRIMP TUBE	CONTACT MATERIAL / PLATING	SHRINK TUBE	PACKAGING

SEE SHEET 1 EC NO: URF2012-0444 DRWN: JWIENER 2012/02/02 CHKD: SSS 2012/02/02 APPR: JWIENER 2012/02/06 A6	QUALITY SYMBOLS =0 =0	DESCRIPTION	GENERAL TOLERANCES (UNLESS SPECIFIED)		DIMENSION STYLE MM/IN		SCALE	DESIGN UNITS METRIC	THIRD ANGLE PROJECTION
					DRAWN BY	DATE	TITLE		
					CHECKED BY	DATE	SMA PLUG, STR, 50 OHMS RG-316 CABLE GROUP EWR-2731 SMA-PC		
					APPROVED BY	DATE			
		ANGULAR ± 2 °		MATERIAL NO.		DOCUMENT NO.		SHEET NO.	
		DRAFT WHERE APPLICABLE MUST REMAIN WITHIN DIMENSIONS		SEE TABLE		SD-73251-015		2 OF 2	
				SIZE		THIS DRAWING CONTAINS INFORMATION THAT IS PROPRIETARY TO MOLEX INCORPORATED AND SHOULD NOT BE USED WITHOUT WRITTEN PERMISSION			