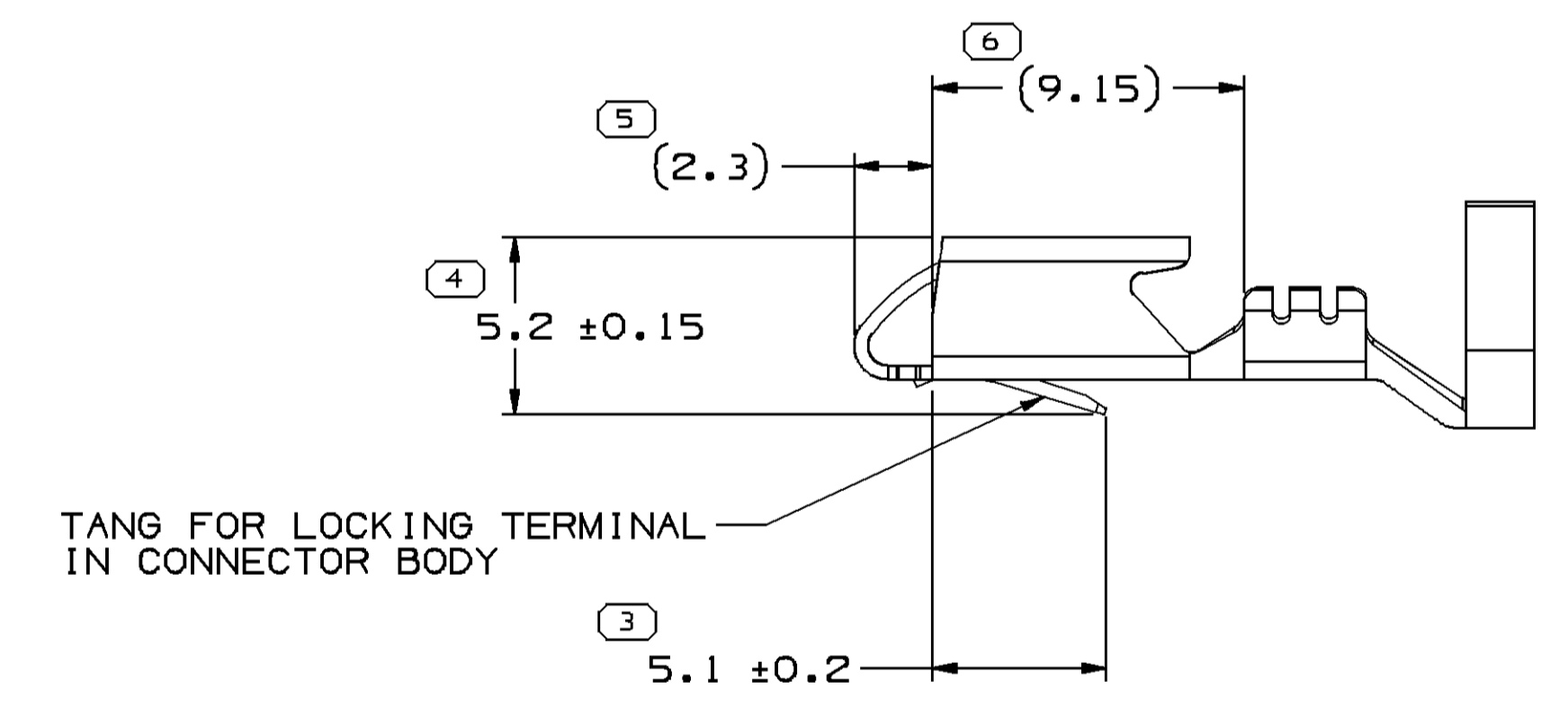
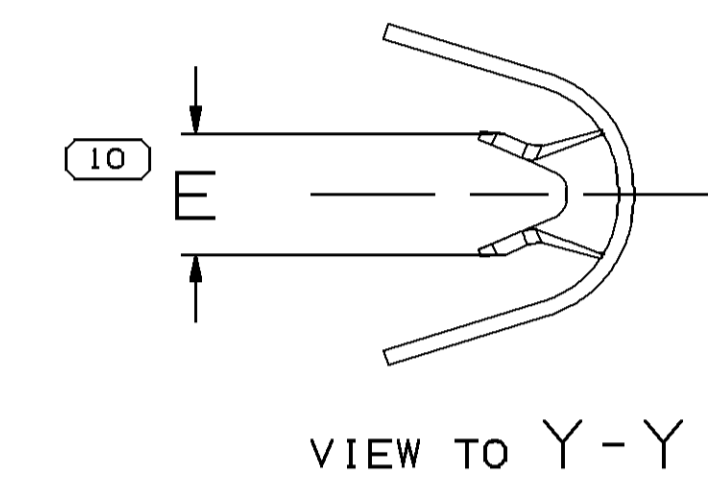
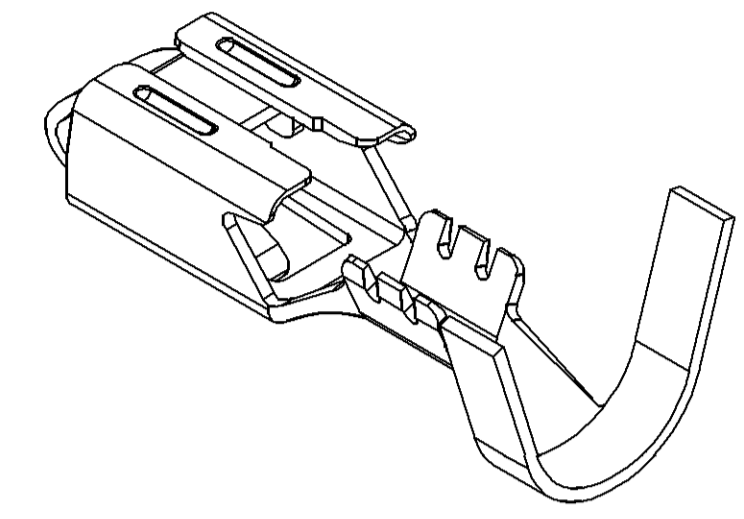
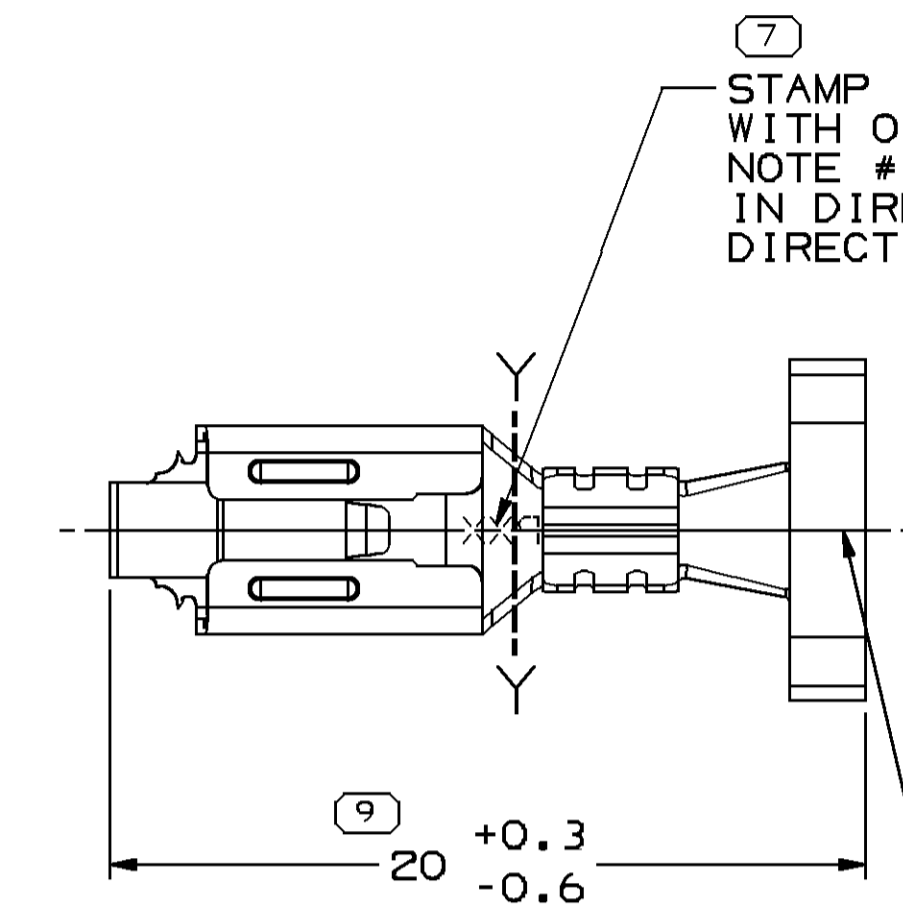
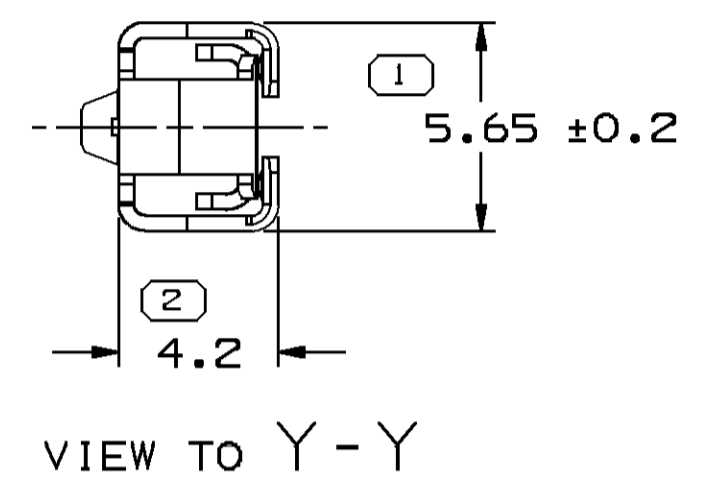


SYMBOL DEFINITION		MISSING SYMBOLS	
A DIMENSION WITHOUT AN INSPECTION REPORT SYMBOL () DOES NOT REQUIRE INSPECTION. IT MAY BE CONTROLLED ON THE INDIVIDUAL COMPONENT DRAWING.	TOTAL NO OF INSPECTIONS REQUIRED	NO MISSING SYMBOL NUMBER	10
	LAST NO. USED		10

DWG STATUS				REVISION HISTORY				AUTH	DR	APVD1	APVD2		
DATE	STG	REV	N/P	CHG	ZONE	ALL ACTIVE PARTS - WERE SEPARATE DWGS				409030	JRL	JVM	APN
03DE09	R	03	-	-									



(7) STAMP "PXX" ON UNDERSIDE IN THIS AREA WITH 0.8 ±0.3 HIGH CHARACTERS PER NOTE #3 CHARACTERS MUST BE POSITIONED IN DIRECTION SHOWN. OR AT 180° TO DIRECTION SHOWN

(8) STAMP "CABLE I.D. NO." ON UNDERSIDE IN THIS AREA WITH 0.8 ±0.3 HIGH CHARACTERS SHOWN IN CHART. CHARACTERS MUST BE POSITIONED PARALLEL TO CENTERLINE

NOTES

- UNLESS OTHERWISE SPECIFIED AND/OR INDICATED:
DIMENSIONS ARE TO FACE OF VIEW SHOWN AND AUTOMATICALLY ROUNDED BY COMPUTER FOR INSPECTION (SEE MATH MODEL FOR PRECISE DIMENSIONS). FOR ALL OTHER DIMENSIONS NOT SHOWN BUT REQUIRED FOR TOOL BUILD, SEE MATH MODEL FOR PRECISE TOOL PATH DATA.
- DO NOT PROBE, TEST OR OTHERWISE CONTACT THE INTERIOR REGION (THE SPRING OR ANY MOVING PART) OF THIS TERMINAL. SEVERE DAMAGE CAN OCCUR, COMPROMISING THE PERFORMANCE OF THE ELECTRICAL INTERFACE.
- REFERENCE GAGE #G-6904.
- "PXX" INDICATES "P" PLUS LAST TWO DIGITS OF MAKE DIE SERIES NUMBER (P01, P02, P03, ETC).
- TERMINALS TO HAVE TERMINAL ENGAGE OF 8N TO 28N WHEN MATED TO A 4.8 WIDE X 0.81 HARDENED STEEL BLADE
- RECOMMENDED MATING BLADE 4.8 WIDE X 0.81.

PART NO	REV	N/P	STATUS	MAT'L SIZE	MAT'L SPEC	PART NO	REV	N/P	STATUS	MAT'L SIZE	MAT'L SPEC	SIZE (MM²)	ID	DIA	TYPE				
-	-	-	-	-	-	12052139	K4	-	-	0.406 X 33.32	M1574028	METL NONFERROUS C42500	EX	HD	5-3	11	5.24-3.49	102	4.6
-	-	-	-	-	-	12052025	H	-	OBSOLETE	0.406 X 33.32	M1519028	METL NONFERROUS C42500	EX	HD	3	12	4.9-3.57	102	4.6
-	-	-	-	-	-	12048451	H4	-	-	0.406 X 33.32	M1574028	METL NONFERROUS C42500	EX	HD	2-1	15	3.59-2.56	102	3.7
-	-	-	-	-	-	12048450	J4	-	-	0.406 X 33.32	M1574028	METL NONFERROUS C42500	EX	HD	0.8-0.5	19	2.68-2.11	101	3.2
UNPLATED						PLATED						CABLE							

(10) PROCESS SENSITIVE DIMENSION	
DIMENSIONS ENCLOSED IN () INDICATE REFERENCE DIMENSIONS AND NO TOLERANCE LIMITS ARE ESTABLISHED	
DIMENSIONAL RANGE (MM)	CHART D
FROM 0 TO 12	> 12
TOLERANCE UNLESS OTHERWISE SPECIFIED	
±0.1	±0.2
ANGULAR TOLERANCE ±2°	

DWG TYPE		PART DRAWING	
STYLE			
VOLUME (C/P)		DISTR CODE	
		D	
UNLESS OTHERWISE SPECIFIED THIS DOCUMENT IS IN ACCORDANCE WITH ASME Y14.5M-1994 AS AMENDED BY THE 0M GLOBAL DIMENSIONING AND TOLERANCING ADDENDUM-2001. SEPARATE PATTERNS OF FEATURES MAY BE GAGED SEPARATELY REGARDLESS OF DATUM REFERENCES.			
ALL DIMENSIONS ARE IN MILLIMETERS			
REFERENCE			
THIRD ANGLE PROJECTION		DO NOT SCALE	
USE MATH DATA		NX	

DELPHI
DELPHI PACKARD ELECTRICAL/ELECTRONIC ARCHITECTURE
WARREN, OH

DR	DATE
APVD1 JORGE RODRIGUEZ	03DE09
APVD2 J. VILLAMIL	03DE09
APVD3 A. PAYAN	04DE09
APVD4	
APVD5	

SUBSTANCES OF CONCERN AND RECYCLED CONTENT PER DELPHI 10949001

MATERIAL SEE CHART

DRAWING NAME
TAXI TERM F M/P 480 SEALED TANG

DRAWING NUMBER
12088010

SIZE	SCALE	FRAME NO	SHEET NO	STG	REV	N/P
A1	5:1	1 OF 1	1 OF 2	R	03	-

Mouser Electronics

Authorized Distributor

Click to View Pricing, Inventory, Delivery & Lifecycle Information:

[Aptiv:](#)

[12052139-L](#) [12048450-L](#)