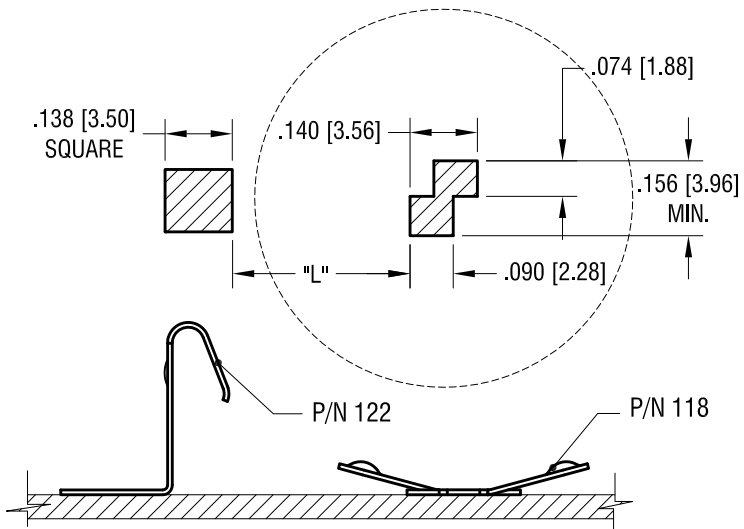
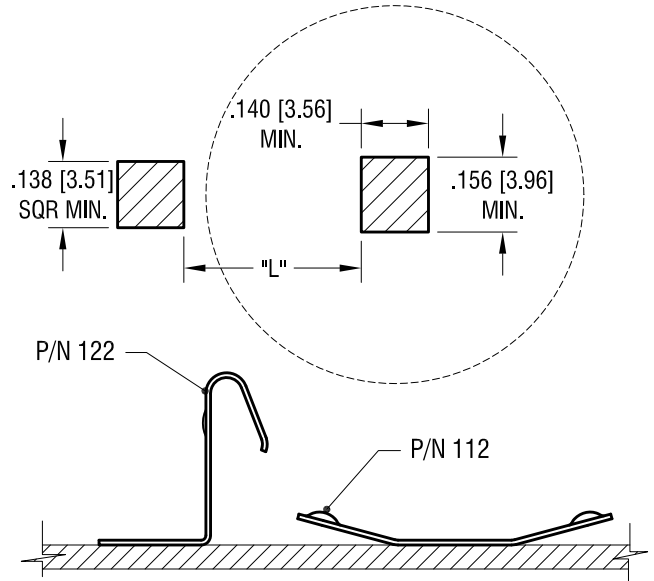


THIS DOCUMENT IS THE PROPERTY OF KEYSTONE ELECTRONICS CORP. AND SHALL NOT BE REPRODUCED, DISTRIBUTED OR USED AS A BASIS FOR MANUFACTURE WITHOUT PRIOR WRITTEN PERMISSION FROM KEYSTONE ELECTRONICS CORP.



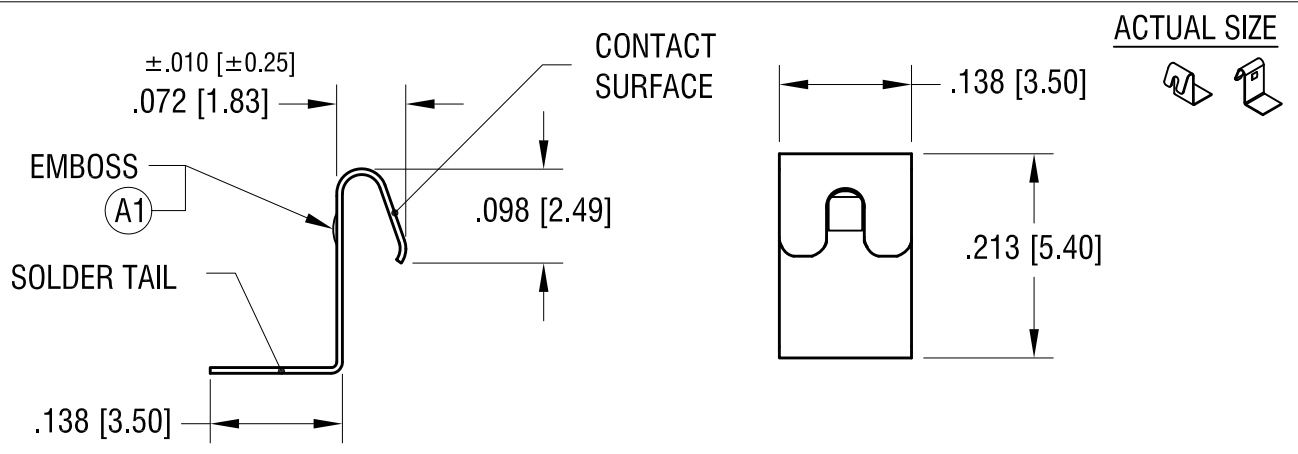
MTG LAY OUT WHEN USE WITH P/N 118

BATTERY DIA.	L
12mm	.213 [5.4]
16mm	.291 [7.4]



MTG LAY OUT WHEN USE WITH P/N 112

BATTERY DIA.	L
20mm	.370 [9.4]
23mm	.429 [10.9]
24mm	.448 [11.4]
30mm	.567 [14.4]



11.10.16	ECN 16-095, ADD EMBOSS (A1)	A
DATE	DESCRIPTION	REV.

**KEYSTONE ELECTRONICS CORP.**  
 www.keyelco.com • NEW HYDE PARK, NY 11040 • Tel (516) 328-7500

PART NAME: POSITIVE BATTERY CONTACT

MATERIAL: .006 [0.15] TH'K STAINLESS STEEL

FINISH: GOLD PLATE

DRN BY: NT DATE: 1.06.16  
 APP'D: LN SCALE: 5X

TOLERANCES INCH [MM]  
 DECIMAL ± .005 [± 0.13]  
 ANGULAR ± 1°  
 UNLESS OTHERWISE SPECIFIED

CODE: C DWG NO.: 122

# Mouser Electronics

Authorized Distributor

Click to View Pricing, Inventory, Delivery & Lifecycle Information:

[Keystone Electronics:](#)

[122](#)