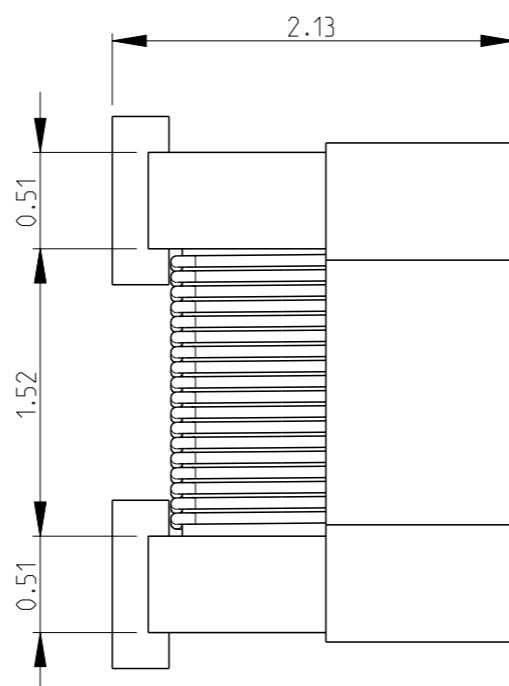
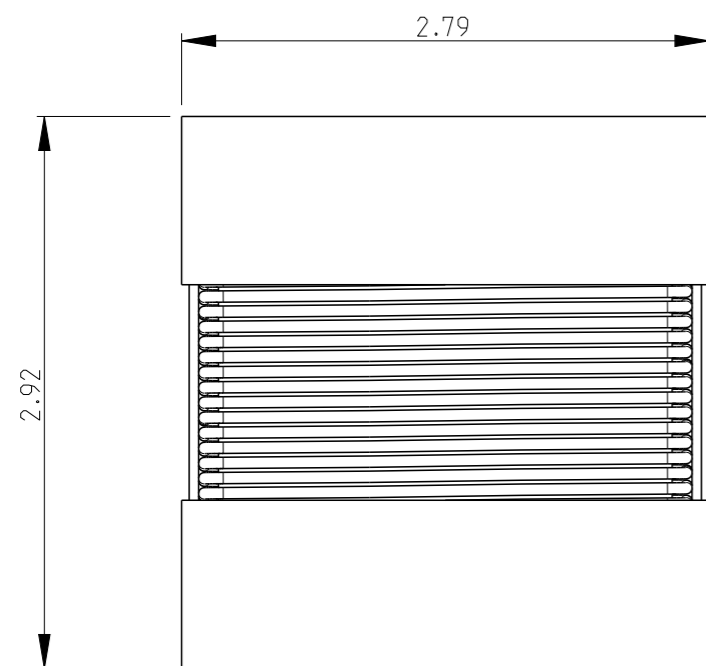


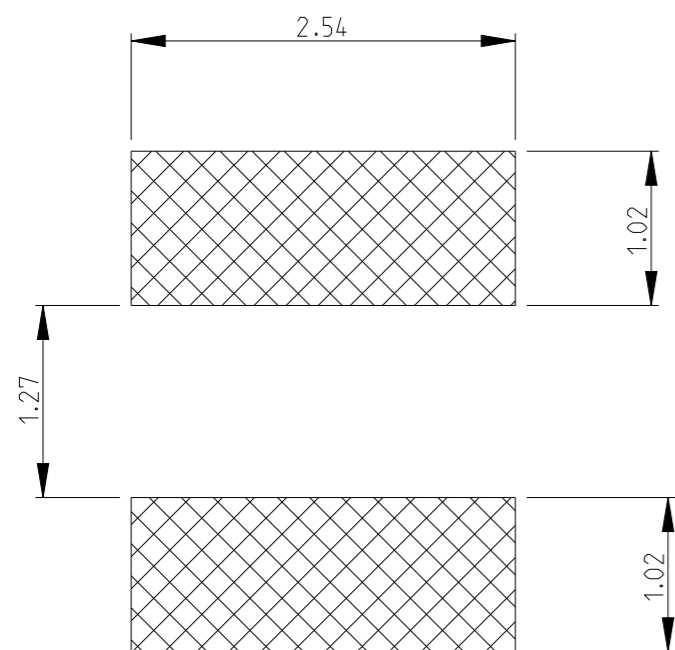
REVISIONS

| P | LTR | DESCRIPTION   | DATE      | DWN | APVD |
|---|-----|---------------|-----------|-----|------|
|   | BA1 | ECR-14-010250 | 16JUL2014 | KR  | TN   |

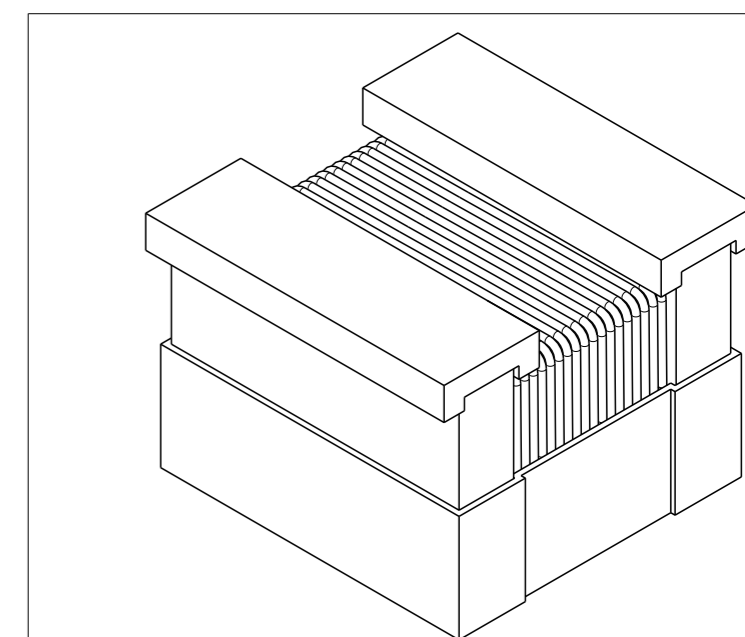
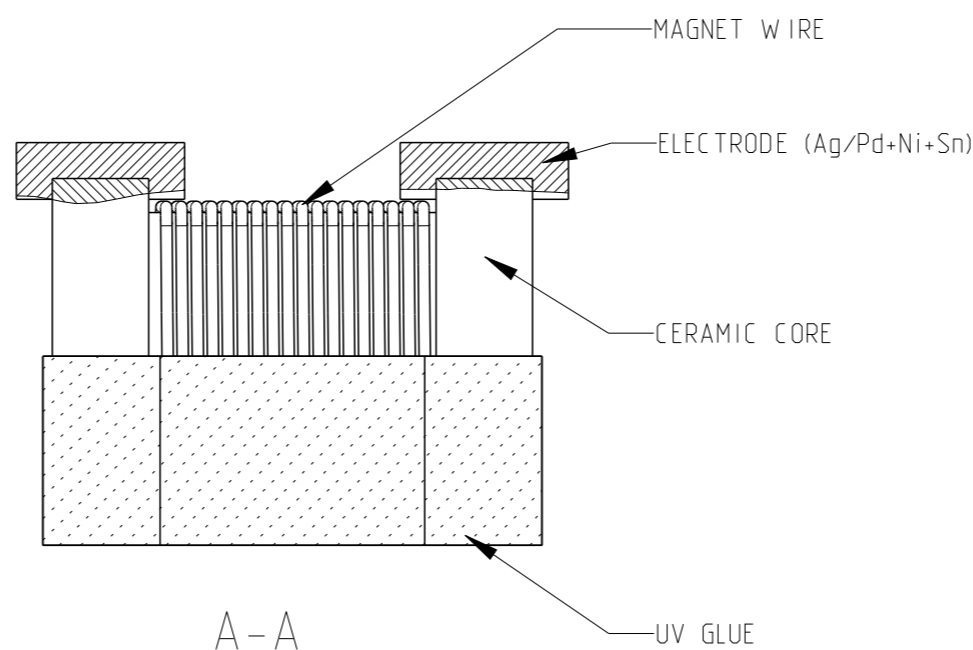


- 1 TERMINAL WRAPAROUND APPROX 0.007" (0.18mm) BOTH ENDS
- 2 FOR FURTHER INFORMATION SEE DATA SHEET FOR 3650 SERIES-LOW INDUCTANCE, HIGH FREQUENCY CHIP INDUCTOR

RECOMMENDED LAND PATTERN FOR 3650-2C SERIES



ROHS Compliant



THIS DRAWING IS A CONTROLLED DOCUMENT.

| DIMENSIONS: |   |
|-------------|---|
| mm          |   |
|             |   |
| MATERIAL    | - |
|             | - |

| TOLERANCES UNLESS OTHERWISE SPECIFIED: |      |
|--|------|
| 0 PLC                                  | ±0.2 |
| 1 PLC                                  | ±0.1 |
| 2 PLC                                  | ±    |
| 3 PLC                                  | ±    |
| 4 PLC                                  | ±    |
| ANGLES                                 | ±5°  |
| FINISH                                 | -    |
|  | -    |

|                  |           |           |
|------------------|-----------|-----------|
| DWN              | SUBHASH.M | 04-AUG-09 |
| CHK              | ALLAN.P   | 04-AUG-09 |
| APVD             | STEPHEN.P | 04-AUG-09 |
| PRODUCT SPEC     | -         | -         |
| APPLICATION SPEC | -         | -         |
| WEIGHT           | -         | -         |
| Customer Drawing |           |           |

|  |           |                 |               |
|--|-----------|-----------------|---------------|
|  |           | TE Connectivity |               |
| NAME<br>LOW INDUCTANCE, HIGH FREQUENCY<br>CHIP INDUCTOR SERIES 3650 2C |           |                 |               |
| SIZE   | CAGE CODE | DRAWING NO      | RESTRICTED TO |
| A3   | 00779     | C-1879023       | -             |
| SCALE  |           | SHEET           | REV           |
| NTS  |           | 1 OF 1          | BA1           |

# Mouser Electronics

Authorized Distributor

Click to View Pricing, Inventory, Delivery & Lifecycle Information:

[TE Connectivity:](#)

[36502CR62JTDG](#)