

4

3

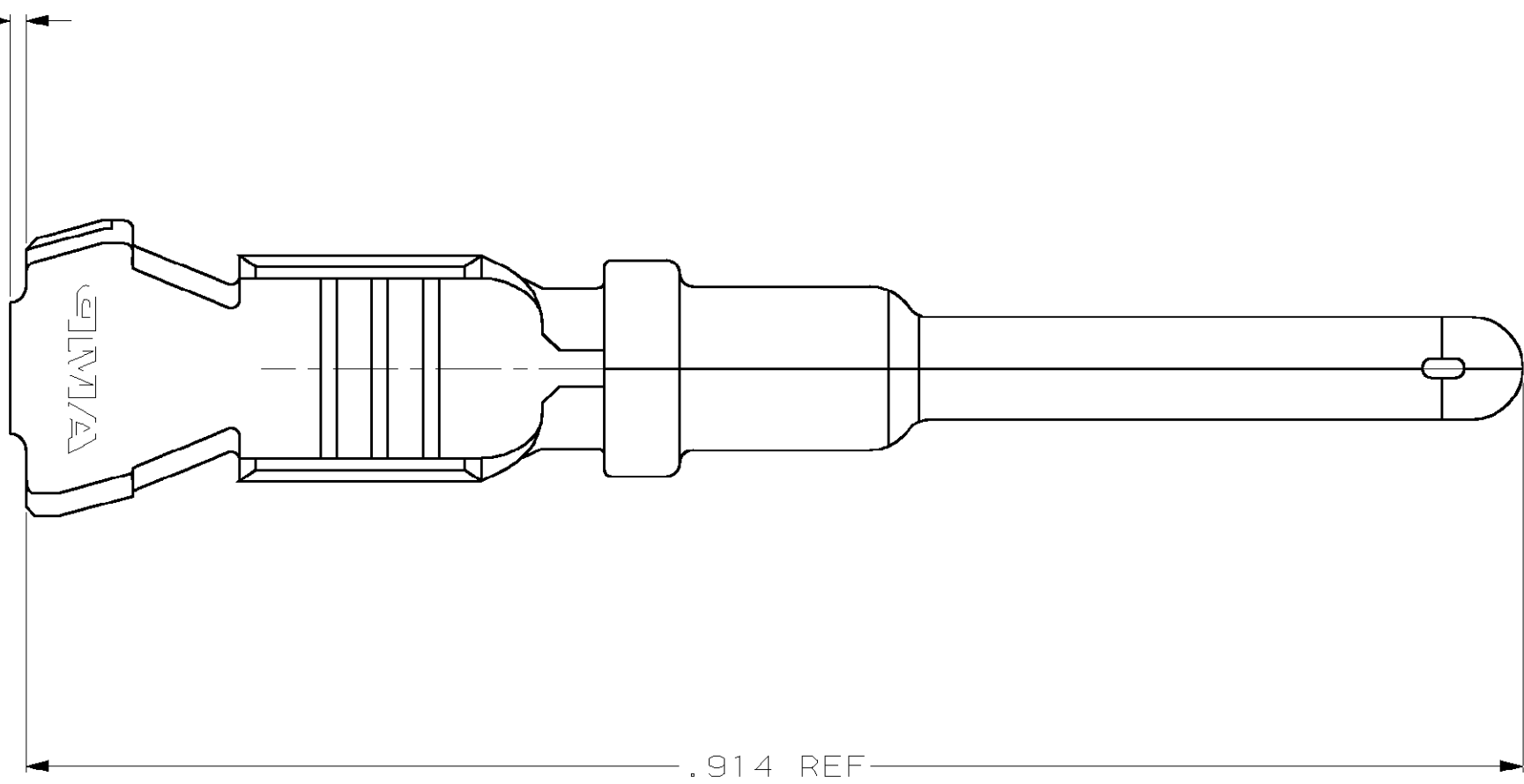
2

1

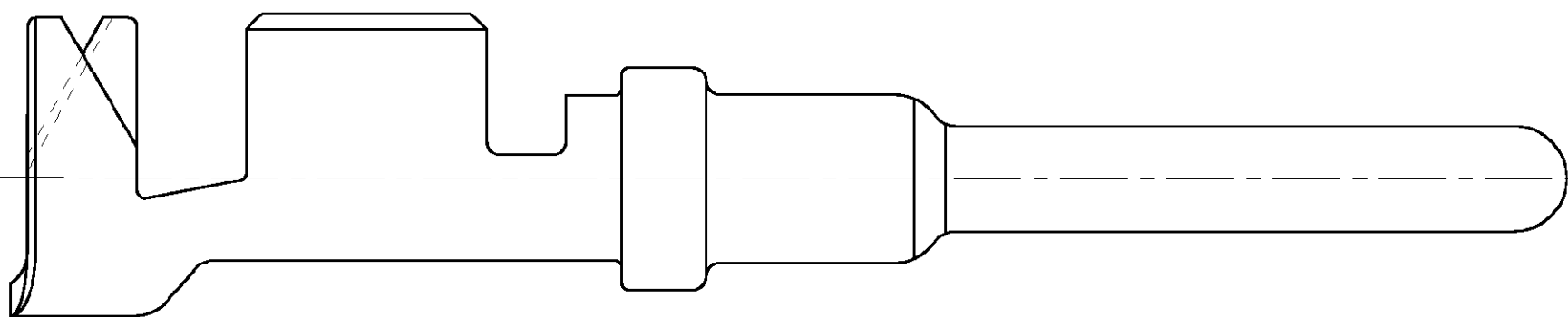
THIS DRAWING IS UNPUBLISHED. RELEASED FOR PUBLICATION .19
 BY AMP INCORPORATED. ALL RIGHTS RESERVED.

LOC	DIST	REVISIONS			
P	LTR	DESCRIPTION	DATE	DWN	APVD
GE	33	0	REL PER PR# 99-7	2-16-99	PC WL
		A	REV PER OK40-0013-01	24AUG01	AG MT

.010 MAX
CUT-OFF TAB



1. WIRE RANGE: 18-14 AWG



DESCRIPTION	FINISH	PART NUMBER
LOOSE PIECE VERSION OF 638078-3	NICKEL	776300-2
LOOSE PIECE VERSION OF 638078-1	GOLD	776300-1

THIS DRAWING IS A CONTROLLED DOCUMENT.		DWN P. COLLINS 2-16-99	AMP Incorporated Harrisburg, PA 17105-3608													
DIMENSIONS: mm		CHK W. LONG 2-16-99														
TOLERANCES UNLESS OTHERWISE SPECIFIED:		APVD S. MARPOE 2-16-99														
<table border="1"> <tr><td>0 PLC</td><td>±</td></tr> <tr><td>1 PLC</td><td>±</td></tr> <tr><td>2 PLC</td><td>±0.5</td></tr> <tr><td>3 PLC</td><td>±0.13</td></tr> <tr><td>4 PLC</td><td>±</td></tr> <tr><td>ANGLES</td><td>±</td></tr> </table>		0 PLC	±	1 PLC	±	2 PLC	±0.5	3 PLC	±0.13	4 PLC	±	ANGLES	±	NAME PIN CONTACT, WIRE-TO-WIRE LOOSE PIECE	SIZE A2	CAGE CODE 00779
0 PLC	±															
1 PLC	±															
2 PLC	±0.5															
3 PLC	±0.13															
4 PLC	±															
ANGLES	±															
MATERIAL	FINISH	PRODUCT SPEC	DRAWING NO 776300	RESTRICTED TO												
		APPLICATION SPEC	SCALE 10:1	SHEET 1 OF 1												
		WEIGHT	REV A													
		CUSTOMER DRAWING														

776300

Mouser Electronics

Authorized Distributor

Click to View Pricing, Inventory, Delivery & Lifecycle Information:

[TE Connectivity:](#)

[776300-2](#)