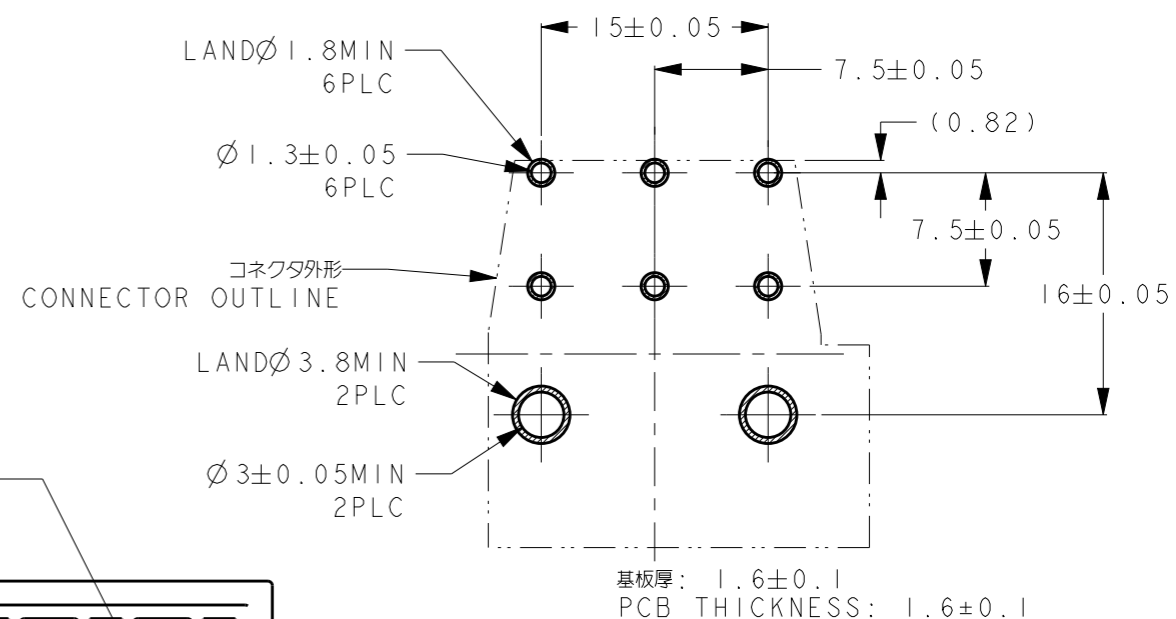
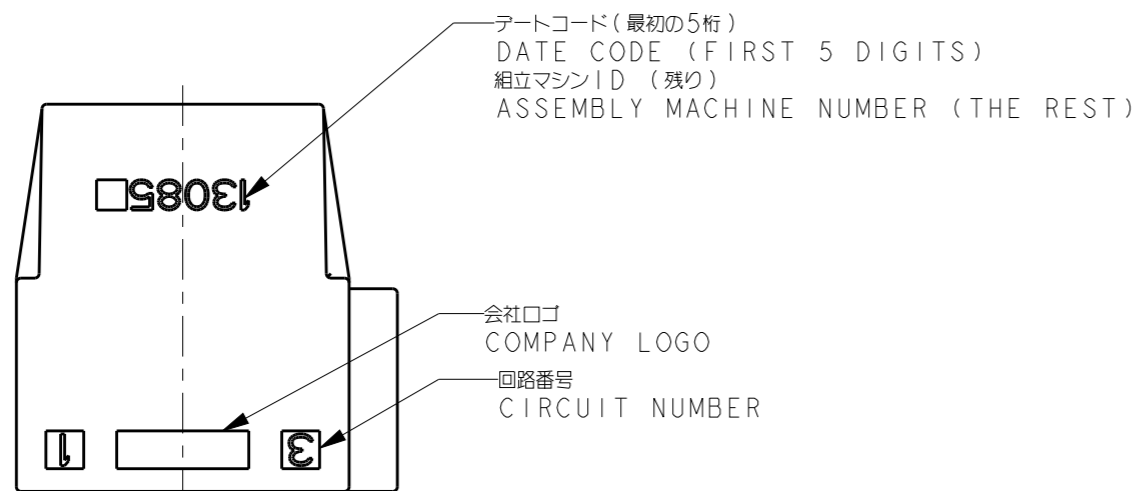


THIS DRAWING IS UNPUBLISHED. RELEASED FOR PUBLICATION XXXX2011
 © COPYRIGHT 2011 BY Tyco Electronics Japan G.K. ALL RIGHTS RESERVED.

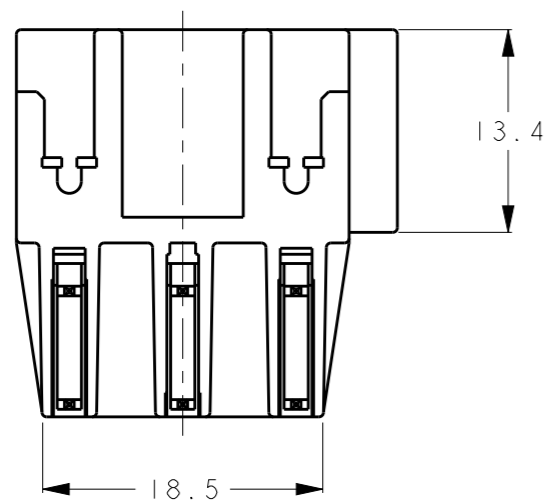
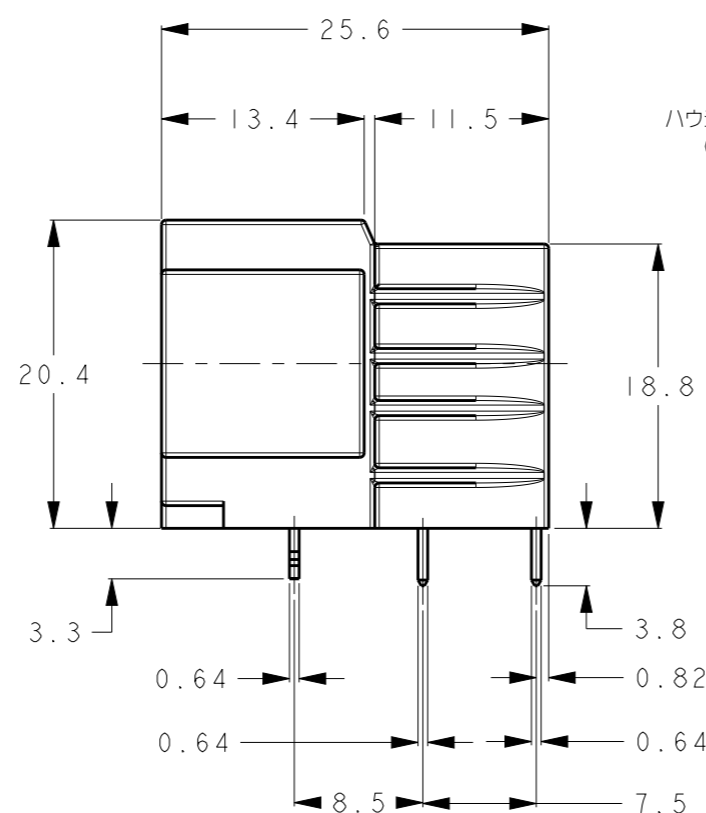
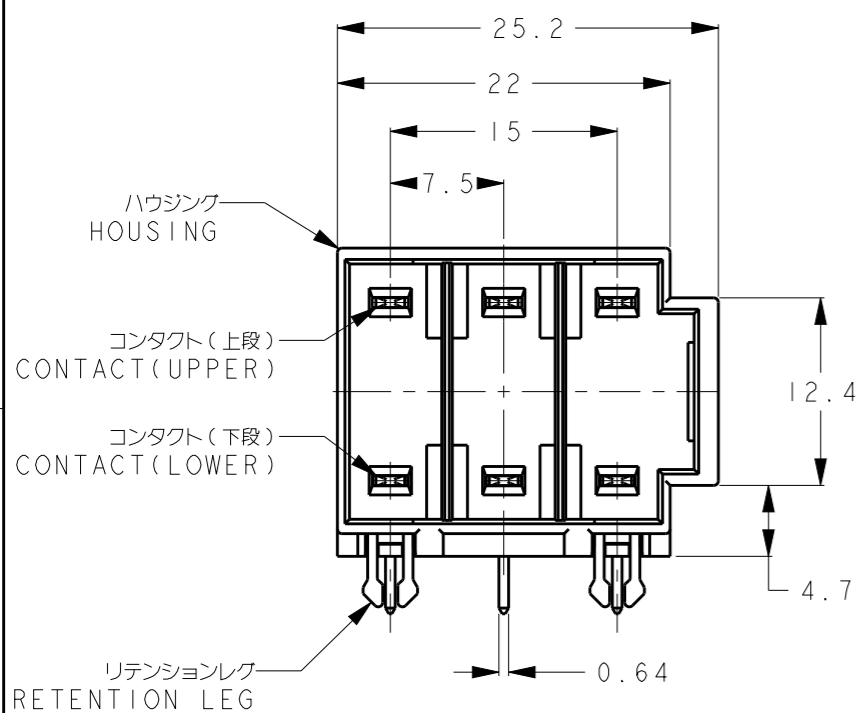
LOC	DIST	REVISIONS					
		P	LTR	DESCRIPTION	DATE	DWN	APVD
J	-	A		REVISED, ECR-13-017380	08NOV2013	Y.O	N.Y
		B		REVISED	12JUN2018	K.T	E.I



参考基板レイアウト

RECOMMENDED PCB LAYOUT

- MATERIAL
 HOUSING: THERMOPLASTIC POLYESTER.
 CONTACT: COPPER ALLOY
 RETENSION LEG: COPPER ALLOY
- PLATING
 CONTACT POINT: UNDER Ni PLATING.
 OVER Au PLATING.
 RETENSION LEG AND TINE : UNDER Ni PLATING.
 OVER Tin PLATING.



- 材料
 ハウジング: 熱可塑性ポリエステル
 コンタクト: 銅合金
 リテンションレグ: 銅合金
- めっき
 コンタクト接点部: ニッケル下地めっき上に金めっき
 リテンションレグおよびコンタクトはんだ付け部: ニッケル下地めっき上に錫めっき

2229806-1
 型番
 PART NUMBER

THIS DRAWING IS A CONTROLLED DOCUMENT.		DWN Y. OKADA 20FEB2013	TE Connectivity	
DIMENSIONS: 単位: 概 mm		CHK S. YAMADA 20FEB2013		
TOLERANCES UNLESS OTHERWISE SPECIFIED: 一般公差 \pm 0.3		APVD N. YAMASAKI 20FEB2013	NAME 名称 DYNAMIC D3950 6P HEADER ASSEMBLY	
		PRODUCT SPEC 製品規格 108-78997	RESTRICTED TO	
MATERIAL 材料 SEE NOTE		APPLICATION SPEC 取付適用規格 411-78272	SIZE A300779	CAGE CODE C=2229806
FINISH 仕上 SEE NOTE		WEIGHT -	SCALE 尺度 2:1	
		Customer Drawing		SHEET 1 OF 1 REV B

Mouser Electronics

Authorized Distributor

Click to View Pricing, Inventory, Delivery & Lifecycle Information:

[TE Connectivity:](#)

[2229806-1](#)