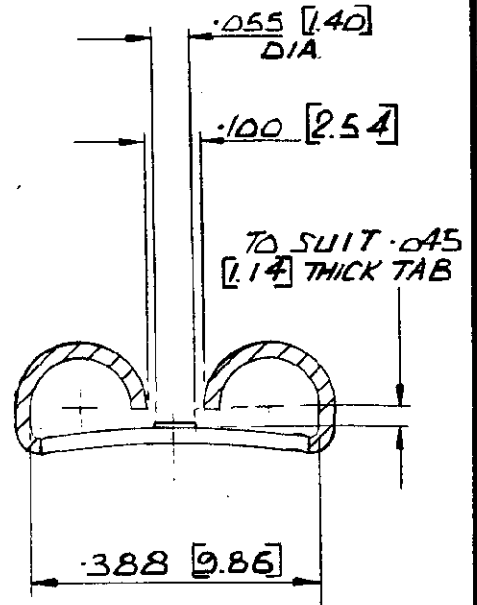
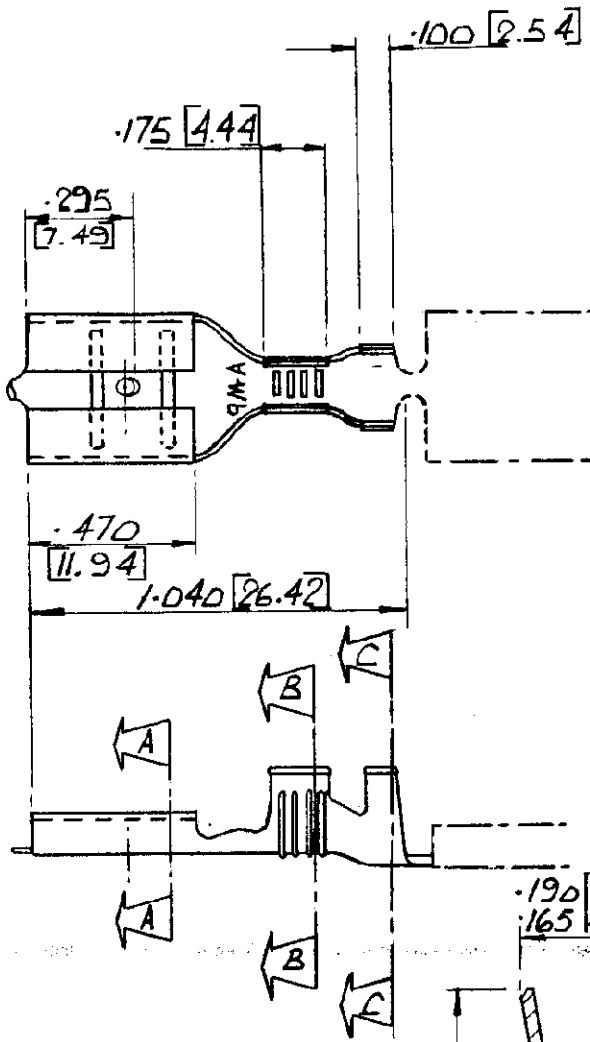


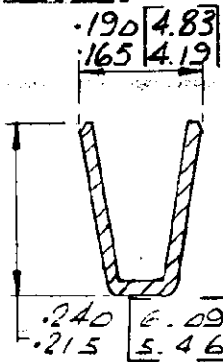
C-150530

3rd ANGLE (AMERICAN) PROJECTION

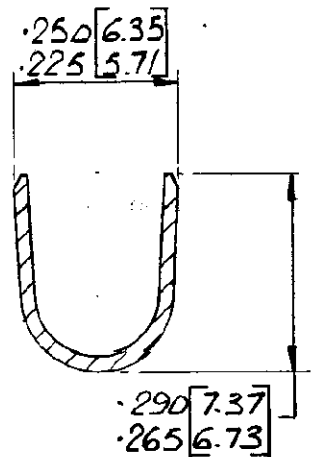
DIMENSIONS IN INCHES. DO NOT SCALE PRINT
DIMENSIONS THUS [] IN MM.



SECTION A-A
SCALE: 4:1



SECTION B-B
SCALE: 4:1



SECTION C-C
SCALE: 4:1

150530-2	NONE	PHOS. BRZ.	—
150530-1	ELECT-TIN	BRASS	150270-1
150530	NONE	BRASS	150270
PART N°	FINISH	MATERIAL	LOOSE PIECE

CUSTOMER COPY
REFERENCE ONLY

MATERIAL AND FINISH
.020 [0.51] STOCK
THICKNESS
SEE TABLE



TE Connectivity

CLASS WT-R

F1 REVISED PER ECO-11-005294 RK HMR 12APR11

WIRE — RANGE — INSULATION
2-6mm² .160-.210

TYPE AUTOMATIC

LTR REVISION RECORD DR CHK DATE

TOLERANCE EXCEPT AS NOTED
± .015 [0.38] ± 1°

SCALE 2:184:1 LOC E NO C-150530 REV F1

DR C. SLOUGH DE
CHK K. STEVENS 11/17/10 APP [Signature] 9/78

NAME EASTON RECEPTACLE '375 [9.52] SERIES'

Mouser Electronics

Authorized Distributor

Click to View Pricing, Inventory, Delivery & Lifecycle Information:

[TE Connectivity:](#)

[150530-1](#)