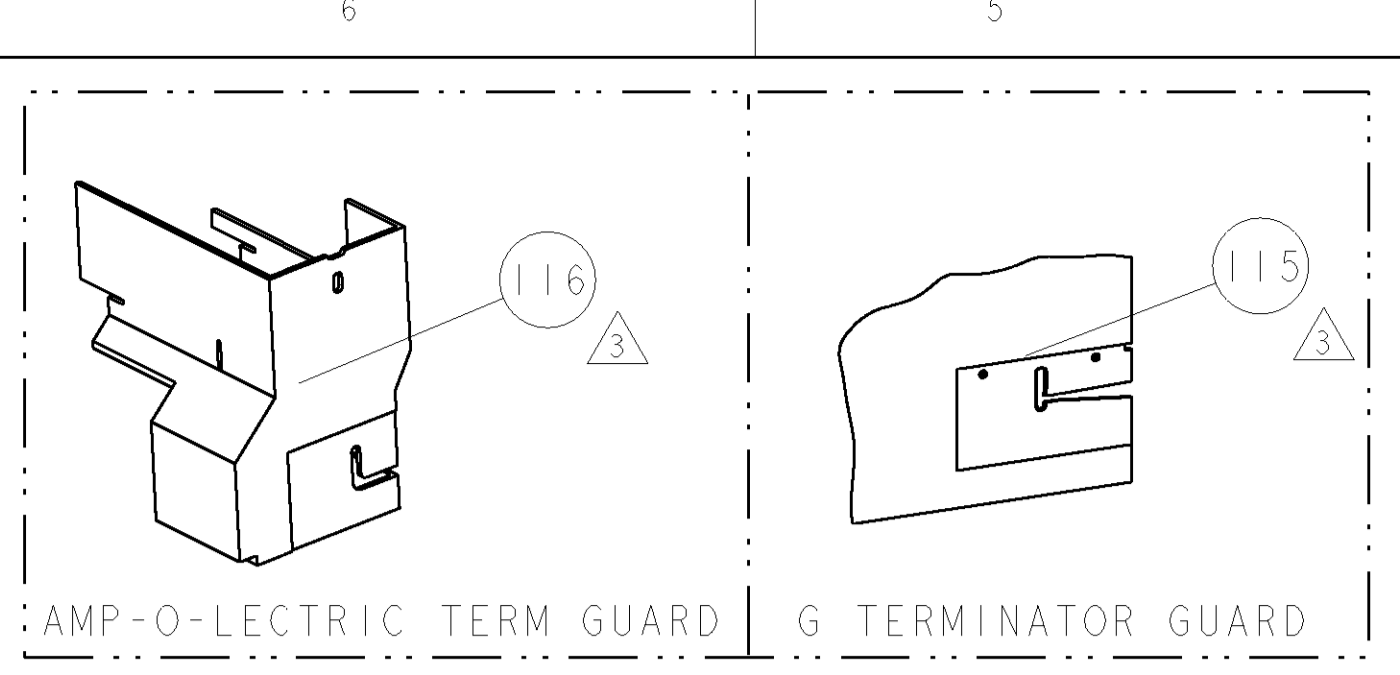


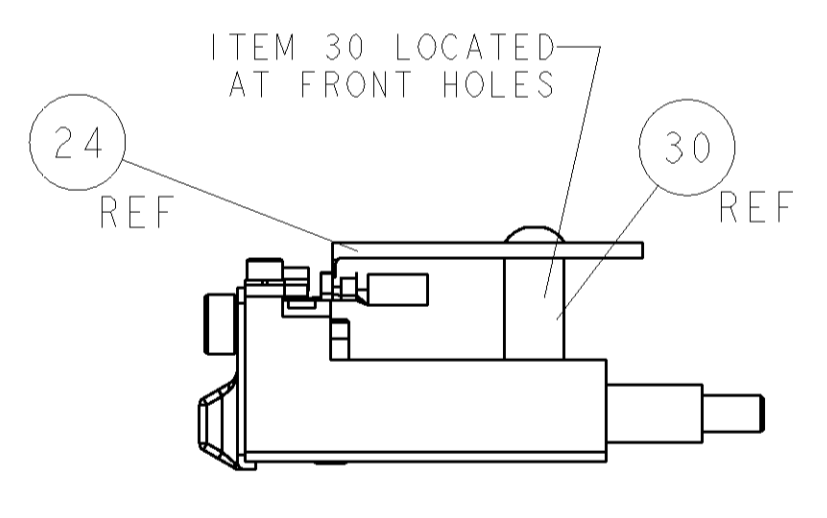
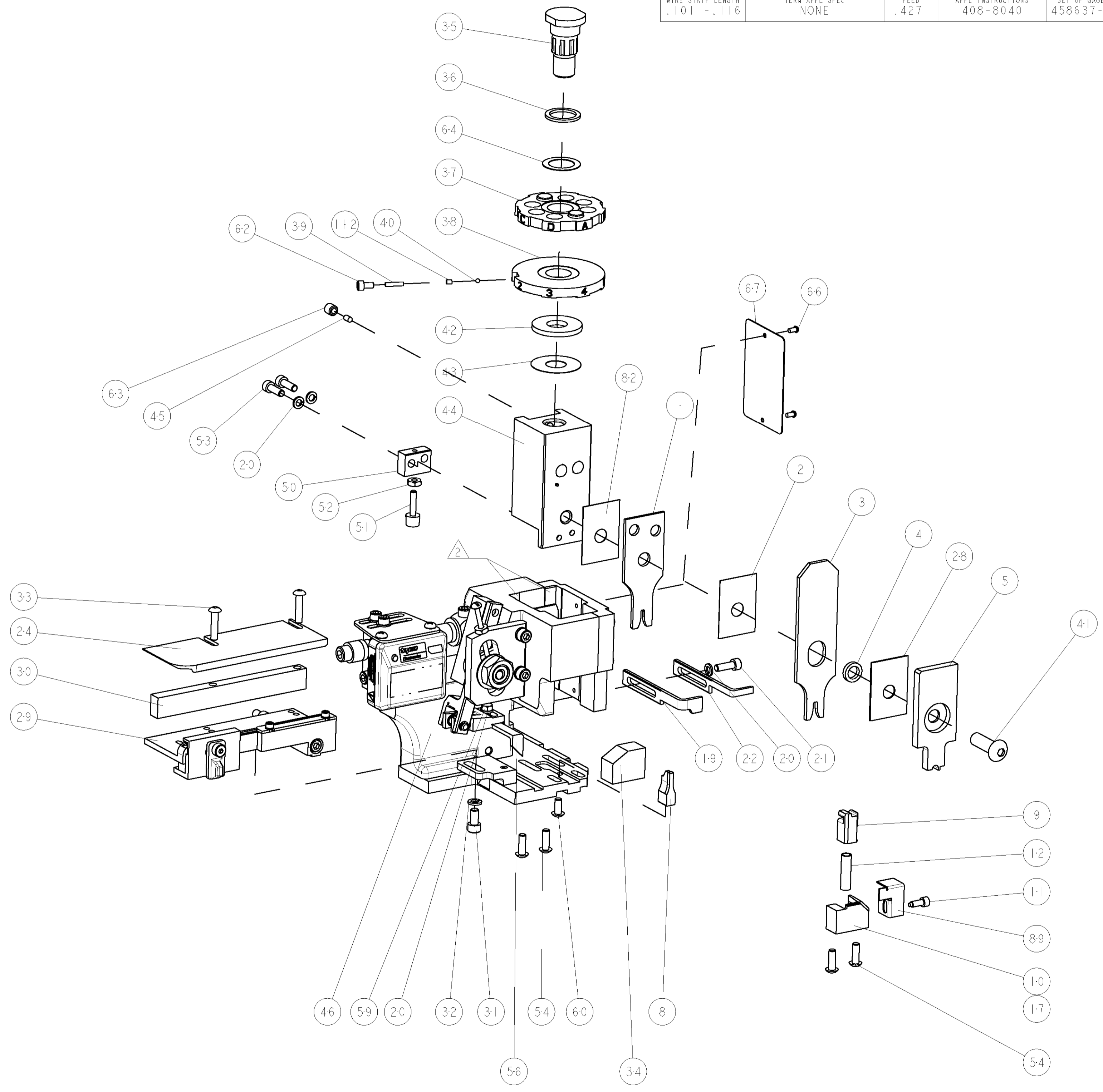
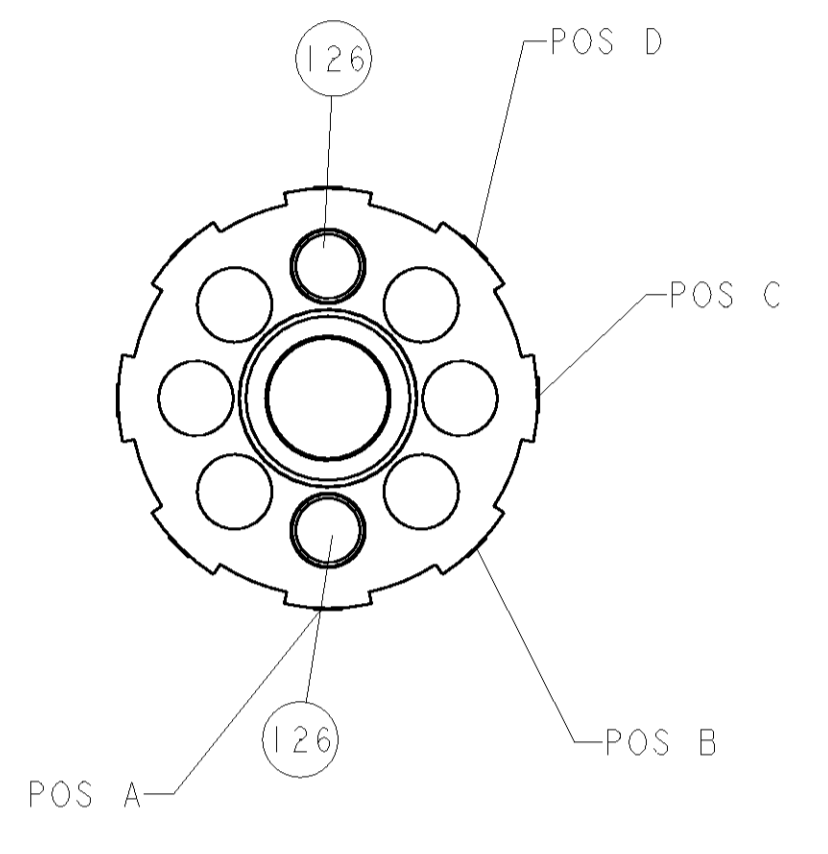
PART NUMBER	REV	FIRST USED	POWER UNIT	FEED TYPE	DESCRIPTION
1852222-1	A	122500-1	LEADMAKER	POST FEED	CUTS CARRIER
1852222-2	A	565435-5	BENCH MODEL K	PRE FEED	CUTS CARRIER
1852222-3	A	354500-1	BENCH MODEL G	PRE FEED	CUTS CARRIER
1852222-6	A	122500-1	LEADMAKER	POST FEED	CONTINUOUS CARRIER
7-1852222-7	A	-	-	-	SPARE PARTS



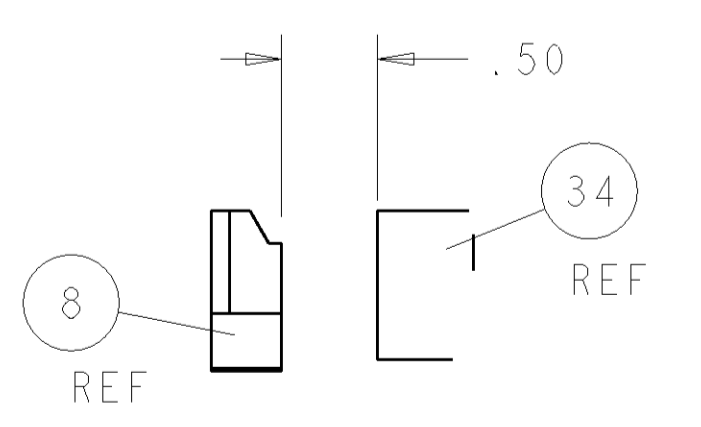
TERMINAL NAME: TERMINAL, SOCKET				
TYCO PN	COMP PN	INTERPLEX TERMINAL - AMP CRIMP SPECS		
1572986	2509432-000			
		PAD LTR	CRIMP HEIGHT	WIRE SIZE
		A	.053±.002 [1.35±0.05mm]	18 AWG
		B	-	-
		C	-	-
		D	-	-
		CRIMP	SIZE	TYPE
		WIRE	.080 [2.03mm]	F
		INSUL	.110 [2.79mm]	F
WIRE STRIP LENGTH	TERM APPL SPEC	FEED	APPL INSTRUCTIONS	SET UP GAGE
.101 - .116	NONE	.427	408-8040	458637-1

LOC	DIST	P	LTR	DESCRIPTION	DATE	DNW	APPR
A	66						

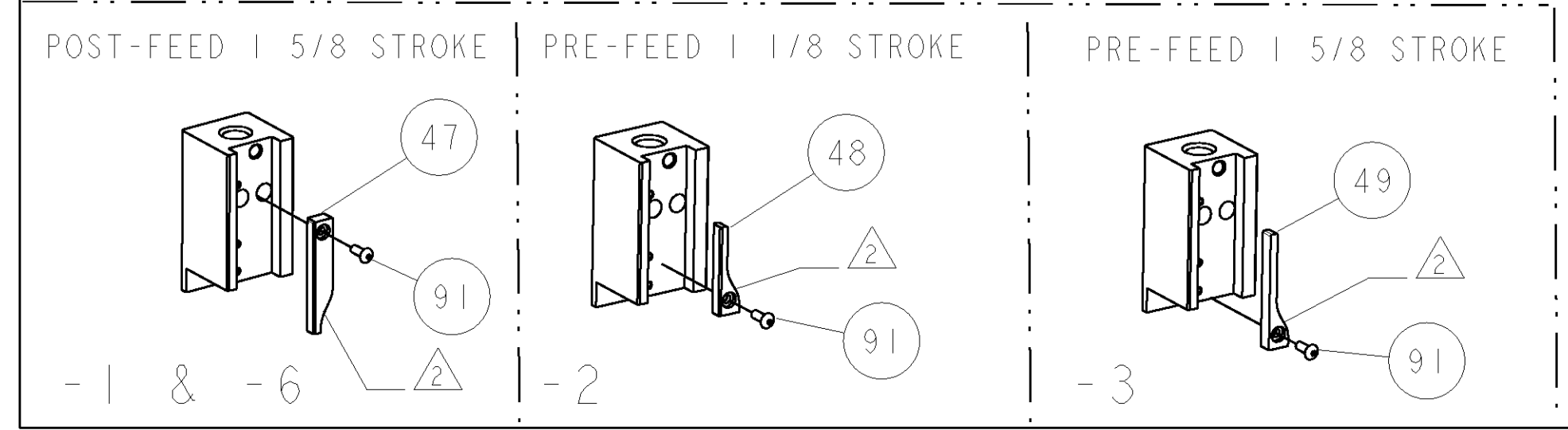
- △ RECOMMENDED SPARE PARTS
- △ GREASE LIGHTLY
- △ GUARD MUST BE IN PLACE WHEN OPERATING APPLICATOR IN A BENCH MACHINE



FEED TRACK POSITION



TERMINAL SUPPORT LOCATION



QTY	REV	LOC	DIST	P	LTR	DESCRIPTION	DATE	DNW	APPR	ITEM NO
-	2	2	2	2	-	1-354779-4	PIN, WIRE DISC, .3060			126
-	-	-	REF	-	-	455749-1	GUARD WINDOW			116
-	-	-	REF	-	-	679532-1	INSERT, GUARD			115
-	1	1	1	1	-	690603-1	SPRING ASSIST AMP-O-MATOR APPLICATOR			112
-	1	1	1	1	-	1-21002-7	SCR, BTN SKT HD CAP 6-32 X .375			91
-	1	1	1	1	-	318563-1	GUARD, FRONT CHIP			89
-	1	1	1	1	-	455888-3	SPACER, CRIMPER			82
-	1	1	1	1	-	4088040	SF APPL INST 408-8040			72
-	1	1	1	1	-	217238-1	GENERAL INSTRUCTION PKG			71
-	1	1	1	1	-	461264-1	PLATE, IDENTIFICATION			67
-	2	2	2	2	-	21017-2	SCREW, DRIVE			66
-	1	1	1	1	-	986950-1	WASHER, FLAT PRECISION			64
-	1	1	1	1	-	21009-2	SCR, SET, SELF LOCKING 1/4-20 X .250			63
-	1	1	1	1	-	23030-1	SCR, SKT HD CAP 6-32 X .25			62
-	1	1	1	1	-	22733-8	SCR, BHSC, SELF-LOCKING, 8-32 X .375			60
-	1	1	1	1	-	2-22603-0	SCR, HEX HD CAP 8-32 X .312			59
-	1	1	1	1	-	458537-2	PAWL, FEED			56
-	4	4	4	4	-	2-21002-2	SCR, BTN SKT HD CAP 8-32 X .500			54
-	2	2	2	2	-	2-21000-7	SCR, SKT HD CAP 8-32 X .500			53
-	1	1	1	1	-	21018-5	NUT, HEX, REG 6-32			52
-	1	1	1	1	-	811242-2	BUMPER, HOLD DOWN			51
-	1	1	1	1	-	690753-1	SPACER, TONKER			50
-	-	1	-	-	-	690602-6	CAM, PRE FEED, 1 5/8			49
-	1	-	-	-	-	690501-4	CAM, POST FEED, 1 5/8			47
-	1	1	1	1	-	459456-1	APPL. BASIC SUB ASSY (SIDE WISE MOCA)			46
-	1	1	1	1	-	690191-1	PLUG, NYLON			45
-	1	1	1	1	-	455673-1	RAM, SIDE FEED			44
-	1	1	1	1	-	690125-1	SHIM SUB-ASSY			43
-	1	1	1	1	-	690124-1	WASHER, RAM (.115)			42
-	1	1	1	1	-	7-21002-9	SCR, BTN SKT HD CAP 5/16-24 X 1.00			41
-	1	1	1	1	-	23241-6	BALL, STEEL			40
-	1	1	1	1	-	690170-1	SPRING, COMPRESSION			39
-	1	1	1	1	-	690142-1	DISC, INSULATION			38
-	1	1	1	1	-	354777-1	WIRE DISC, ASSEMBLY			37
-	1	1	1	1	-	22480-5	SPRING, COMPRESSION			36
-	1	1	1	1	-	690212-1	POST, RAM			35
-	1	1	1	1	-	1-690786-4	TERMINAL SUPPORT			34
-	2	2	2	2	-	2-21002-4	SCR, BTN SKT HD CAP 8-32 X .750			33
-	1	1	1	1	-	21024-5	WASHER, SPRG LOCK, REG NO 10			32
-	1	1	1	1	-	3-21000-4	SCR, SKT HD CAP 10-32 X .375			31
-	1	1	1	1	-	1320908-2	SPACER, STRIP GUIDE			30
-	1	1	1	1	-	1633091-1	ASSEMBLY, STRIP GUIDE			29
-	1	1	1	1	-	455888-7	SPACER, CRIMPER			28
-	1	1	1	1	-	1320928-3	PLATE, STRIP GUIDE			24
-	1	-	-	-	-	690472-2	STRIPPER			22
-	1	1	1	1	-	2-21000-7	SCR, SKT HD CAP 8-32 X .500			21
-	4	4	4	4	-	21024-4	WASHER, SPRG LOCK, REG NO 8			20
-	-	1	1	-	-	691353-1	STRIPPER			19
-	1	-	-	-	-	679625-1	SHEAR HOLDER, FRONT (NO CUT)			17
-	1	1	1	1	-	3-22280-3	SPRING, COMPRESSION			12
-	1	1	1	1	-	690461-1	STOP, SHEAR			11
-	-	1	1	-	-	690459-1	SHEAR HOLDER, FRONT			10
-	1	1	1	1	-	1-454276-9	FLOATING SHEAR, FRONT			9
-	1	1	1	1	-	3-1633117-8	ANVIL, COMBINATION			8
-	1	1	1	1	-	1-455889-4	DEPRESSOR, SHEAR			5
-	1	1	1	1	-	238011-4	BLOCK, CRIMPER SPACER			4
-	1	1	1	1	-	6-456134-5	CRIMPER, INSULATION F PREMIUM			3
-	1	1	1	1	-	455888-1	SPACER, CRIMPER			2
-	1	1	1	1	-	3-456405-0	CRIMPER, WIRE PREMIUM			1

DIMENSIONS:		TOLERANCES UNLESS OTHERWISE SPECIFIED:		APPROVED:		CUSTOMER DRAWING	
INCHES	0 PLC ±.01	1 PLC ±.01	2 PLC ±.01	3 PLC ±.001	4 PLC ±.0001	ANGLES ±.0001	FINISH
MATERIAL							
SCALE	3:5	SHEET	1	OF	1	REV	A

CUSTOMER VIEWABLE ASSEMBLY

Mouser Electronics

Authorized Distributor

Click to View Pricing, Inventory, Delivery & Lifecycle Information:

[TE Connectivity:](#)

[1852222-6](#)