

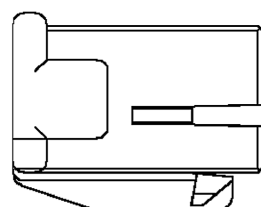
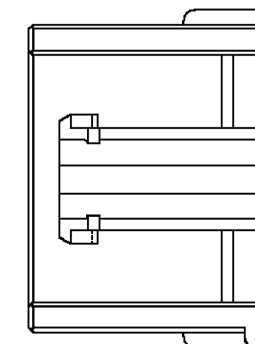
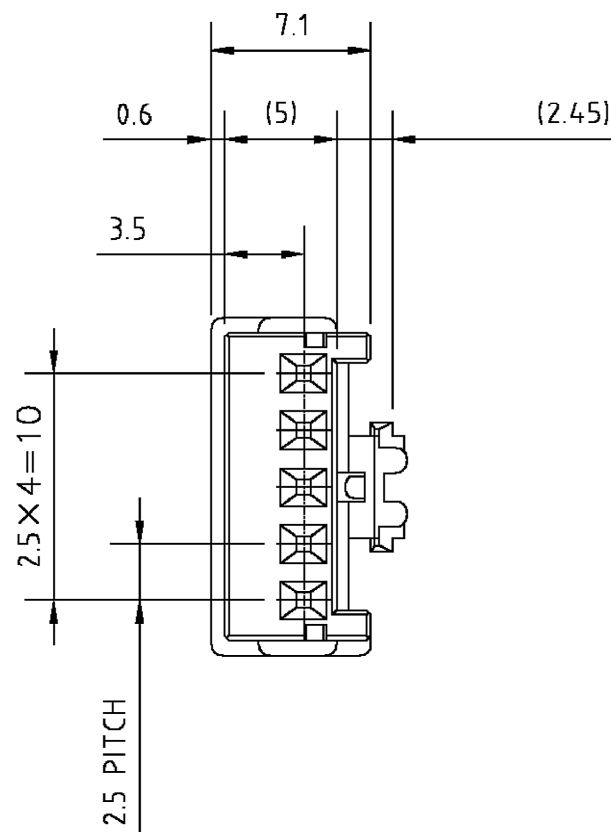
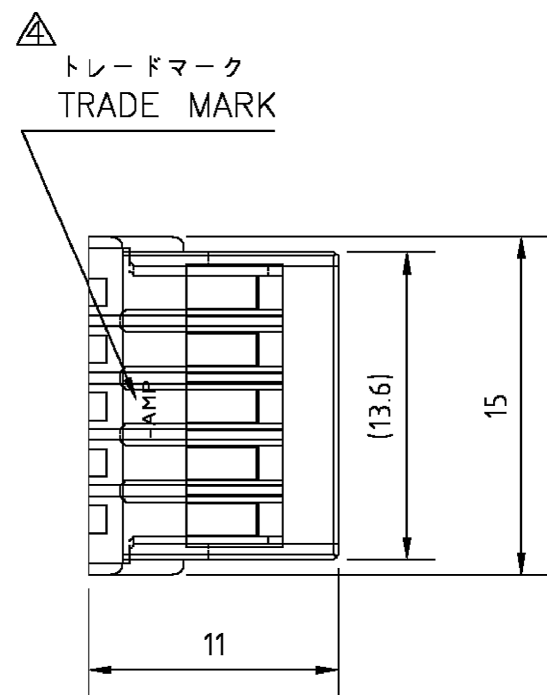
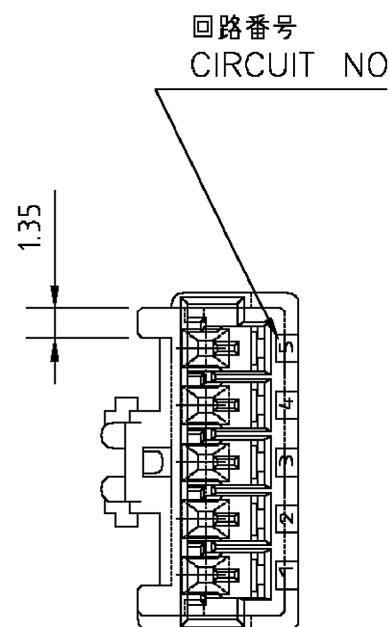
THIS DRAWING IS UNPUBLISHED.

RELEASED FOR PUBLICATION

© COPYRIGHT

ALL RIGHTS RESERVED.

LOC	DIST	REVISIONS 変更					
J	-	P	LTR	DESCRIPTION	DATE	DWN	APVD
		D4		REVISED PER ECR-16-016297	30NOV2016	K.S	D.Z



注記;

- 1. 材料; 66ナイロン (UL94V-0)
- 2. 製品規格; 108-5459
- 3. 取付適用規格; 114-5203
- 4. 表1 参照
- 5. 取扱説明書; 411-5771

NOTES;

- 1. MATERIAL; 66 NYLON (UL94V-0)
- 2. PRODUCT SPEC; 108-5459-8
- 3. APPLICATION SPEC; 114-5203
- 4. SEE TABLE 1
- 5. INSTRUCTION SHEET; 411-5771
- 6. PART 5-917689-1 COMPLY WITH GLOW WIRE REQUIREMENT FOR PARTS OF NON-METALLIC MATERIAL SUPPORTING A CURRENT CARRYING CONNECTION DETAILED IN IEC 60335-1, SECTION 30(GWT)

表1  
TABLE 1

トレードマーク TRADE MARK	生産場所 MANUFACTURING PLACE
- AMP OR AMP	日本 JAPAN
- +AMP OR AMP	中国 CHINA(PRC)

自然色 NATURAL	5-917689-1	5
青 BLUE	917689-6	5
赤 RED	917689-2	5
自然色 NATURAL	917689-1	5
色調 COLOR	型番 PART NO.	極数 POS.

THIS DRAWING IS A CONTROLLED DOCUMENT.		DWN Y.NOGUCHI 12MAY95			
DIMENSIONS: 単位 MM		CHK Y.KASHIWA 12MAY95			
TOLERANCES UNLESS OTHERWISE SPECIFIED: 一般公差		APVD Y.KASHIWA 12MAY95	NAME 名称		
		PRODUCT SPEC 製品規格	2.5mm シグナルダブルロック 5極 プラグハウジング 2.5mm SIGNAL DBL-LOCK 5P PLUG HOUSING		
		APPLICATION SPEC 取付適用規格	DRAWING NO 番号		
MATERIAL 材料		WEIGHT -	SIZE A3	CAGE CODE 00779	RESTRICTED TO -
		CUSTOMER DRAWING		SCALE 尺度 3-1	SHEET 1 OF 1
				REV D4	

# Mouser Electronics

Authorized Distributor

Click to View Pricing, Inventory, Delivery & Lifecycle Information:

[TE Connectivity:](#)

[5-917689-1](#)