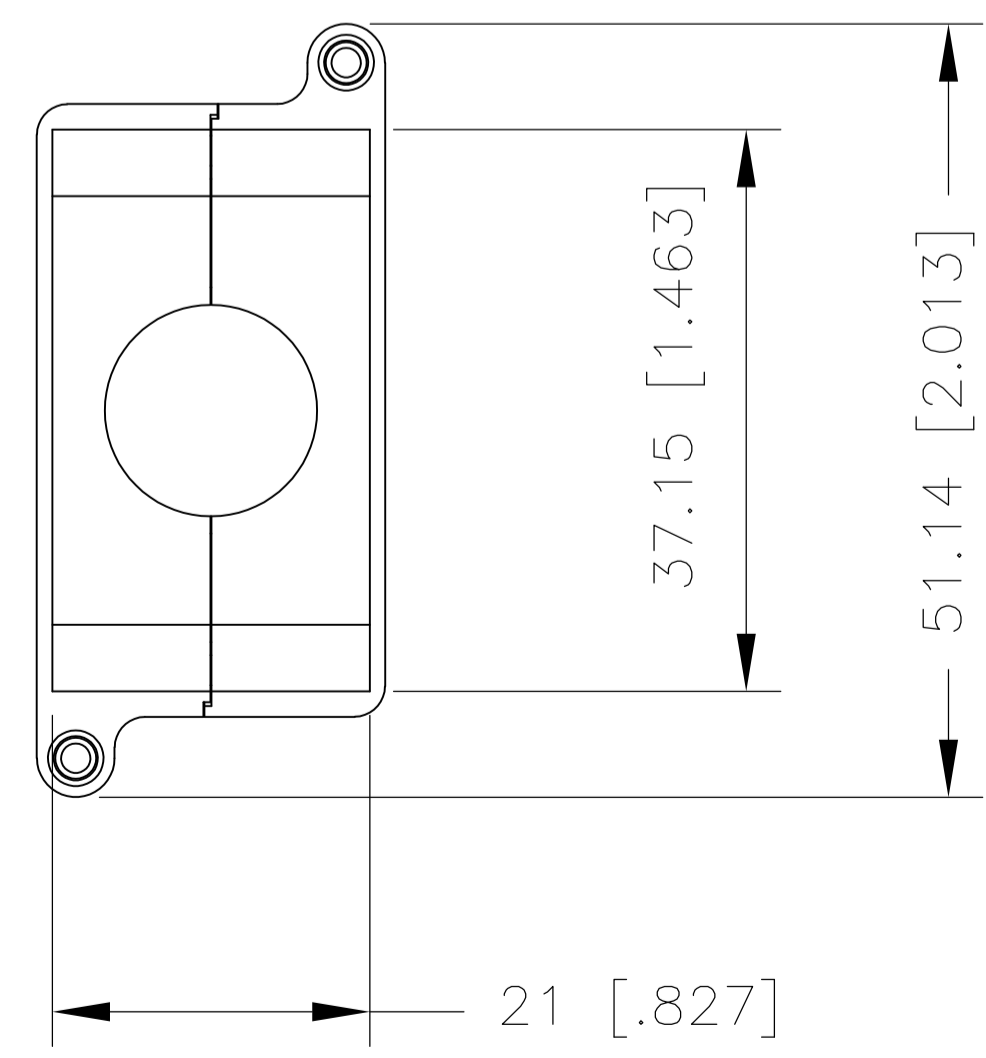
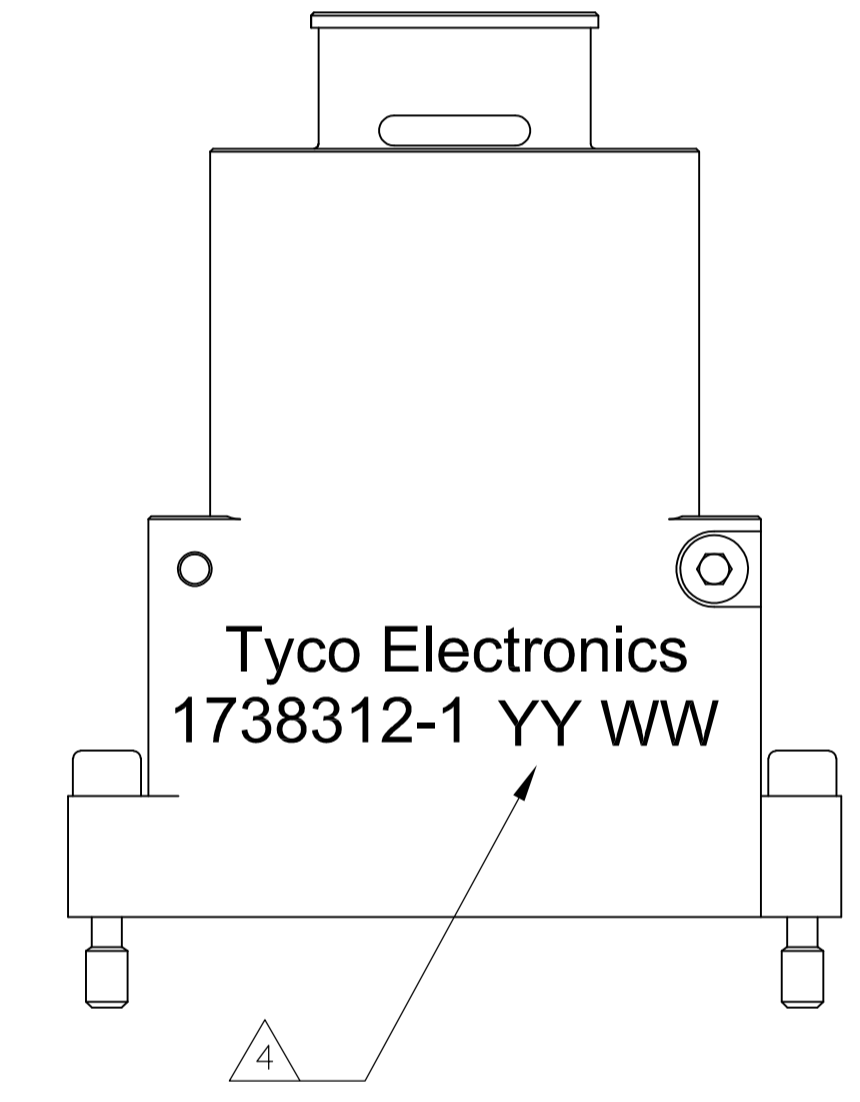
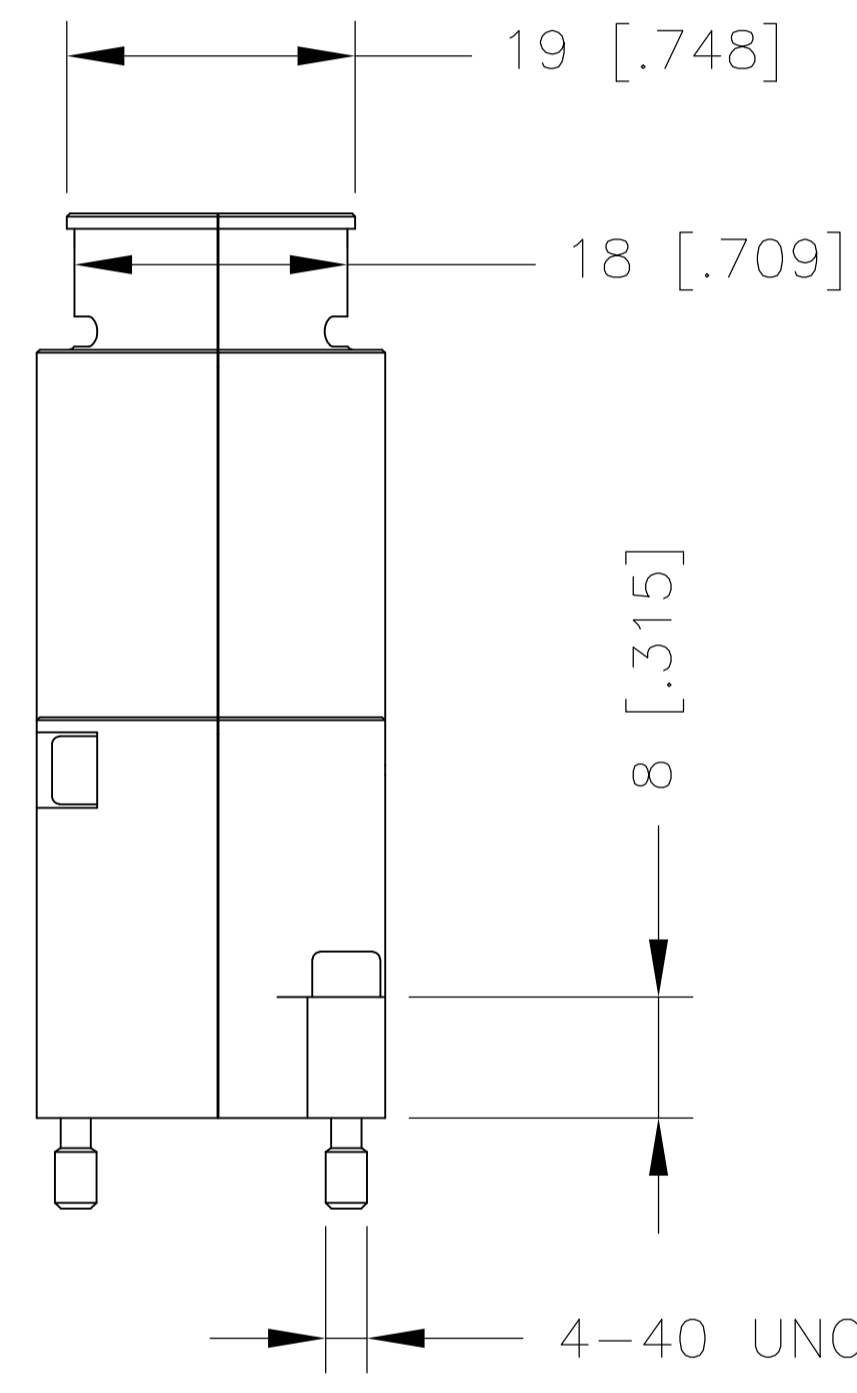
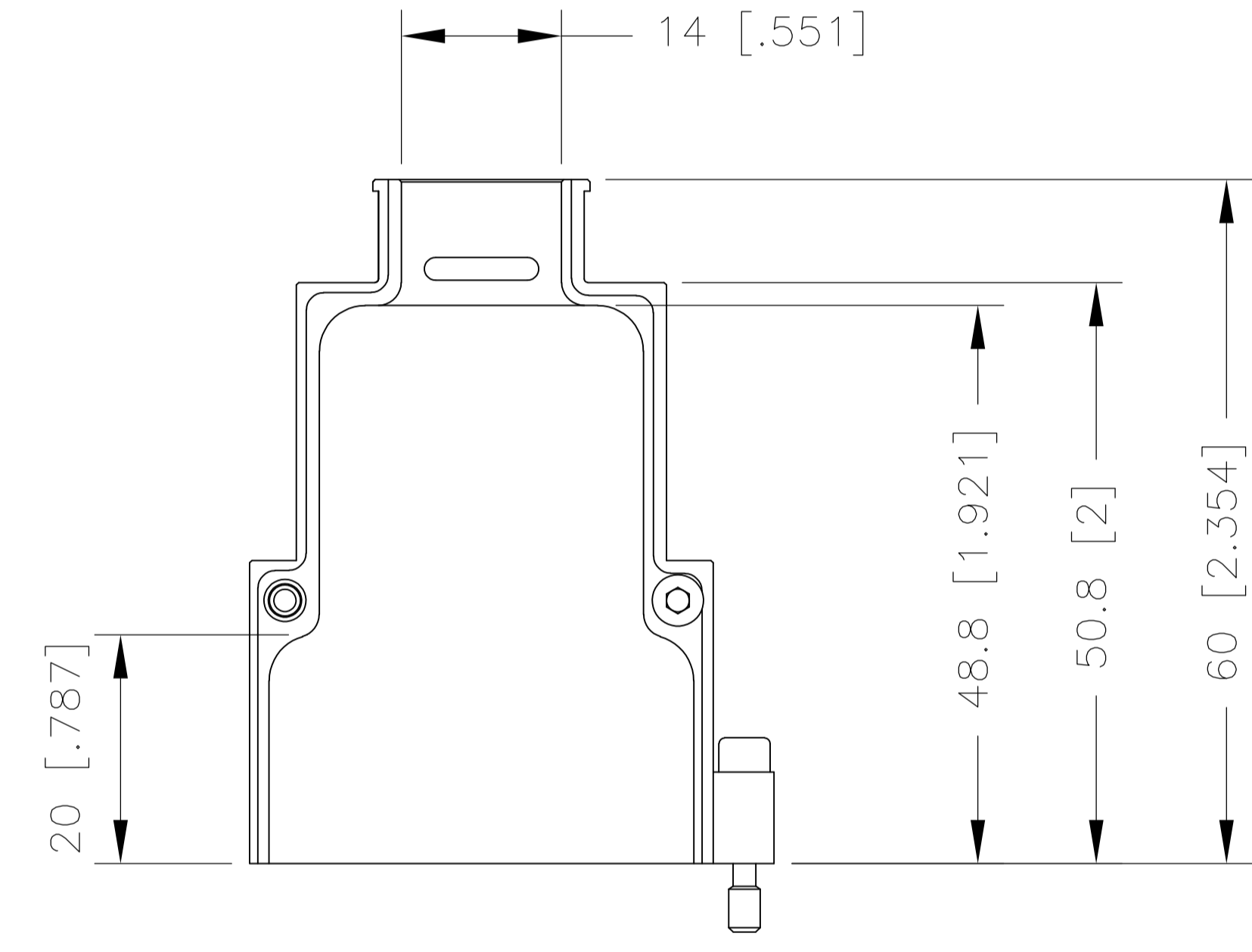
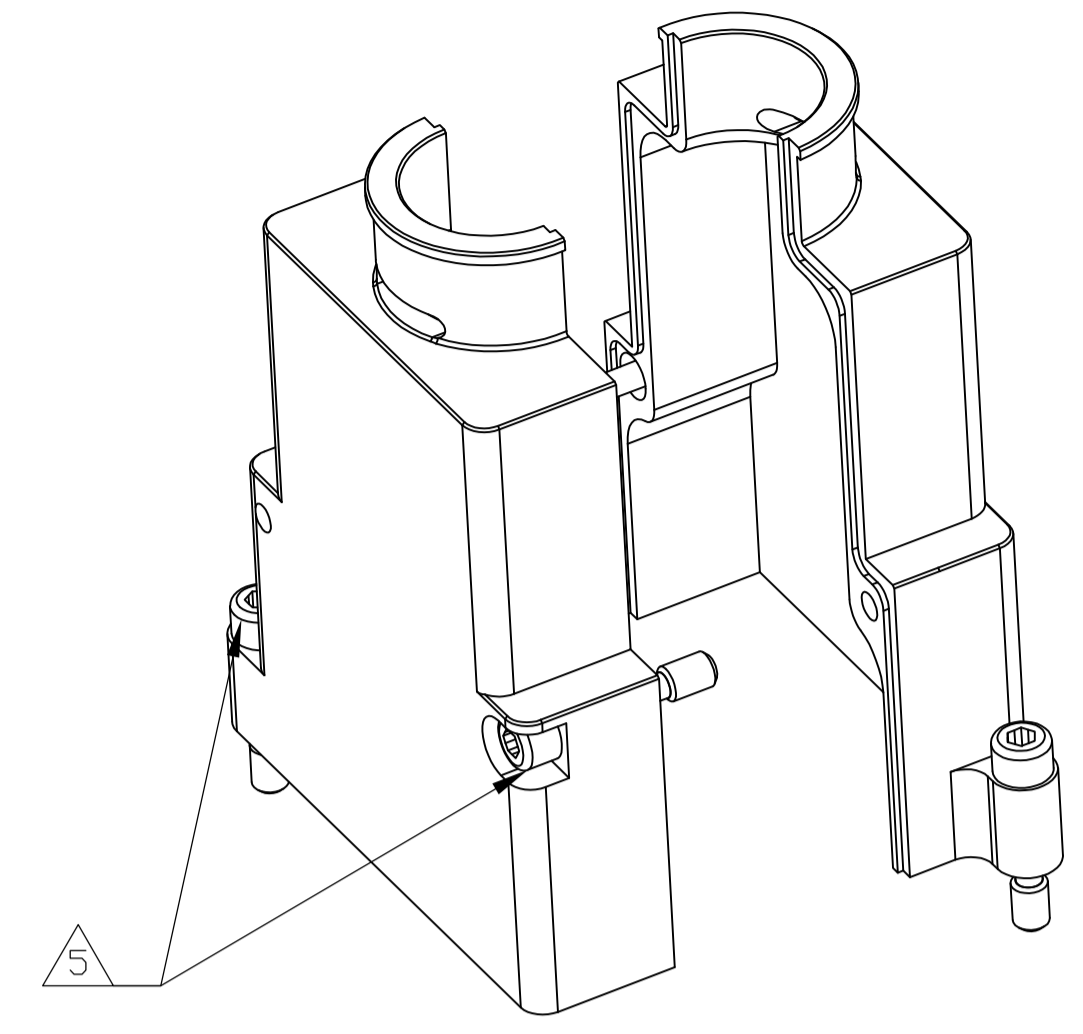
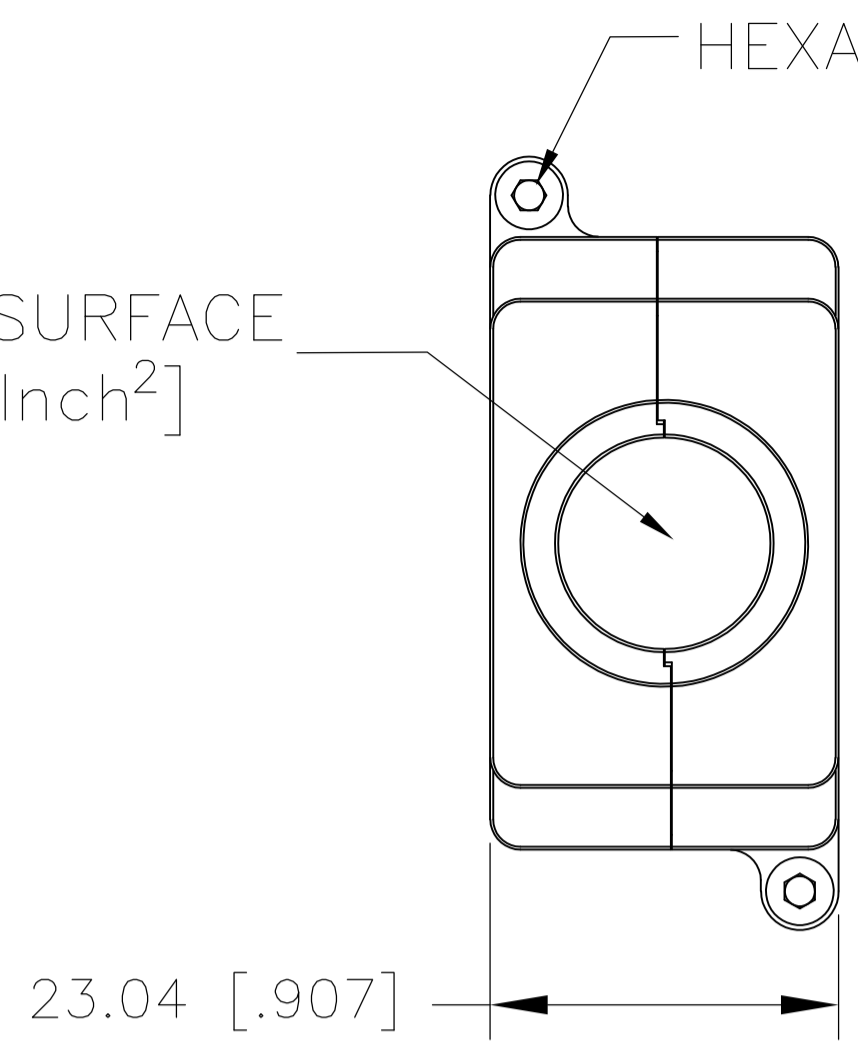


LOC		DIST		REVISIONS			
DF	00	REV	DATE	BY	CHKD	APVD	
0		CONVERTED RADIALL DWG TO TYCO ACAD DWG	09/03				
1		REVISED	22APR10	RF	JM		

HEXAGONAL 5/64  
 CABLE OUTLET SURFACE  
 154mm<sup>2</sup> [0.24 Inch<sup>2</sup>]



- 1 SHELL : ALUMINUM ALLOY  
 SCREWS : STAINLESS STEEL 303
- 2 SHELLS : ELECTROLYTIC NICKEL OVER ELECTROLESS NICKEL
- 3. THIS PRODUCT IS SOLD BY TYCO ELECTRONICS  
 UNDER A LICENSE FROM RADIALL SA.
- 4 DATE CODE - YEAR & WEEK (YY-WW)
- 5 SCREWS ARE CAPTIVE MOUNTED  
 LOCKING TORQUE FOR 4-40 SCREW = 0,8 Nm [7 in-lb]

THIS PRINT IS  
**PRELIMINARY**  
 UNQUALIFIED PRODUCT  
 CONTACT PRODUCT ENGINEERING  
 BEFORE USING THIS PRINT

1738312-1  
 PART NUMBER

THIS DRAWING IS A CONTROLLED DOCUMENT.		DWG NO. 1738312-1	REV. 00	Tyco Electronics Corporation Harrisburg, PA 17105-3608	
DIMENSIONS: mm		TOLERANCES UNLESS OTHERWISE SPECIFIED:		APPROVED: MOSIER	
		0. PLC	± .05	PRODUCT SPEC	
		1. PLC	± .02	APPLICATION SPEC	
		2. PLC	± .01	SIZE	
		3. PLC	± .005	CASE CODE	
		4. PLC	± .002	DRAWING NO.	
		ANGLES	± .001	RESTRICTED TO	
MATERIAL: ALUMINUM ALLOY		FINISH: ELECTROLYTIC NICKEL OVER ELECTROLESS NICKEL		WEIGHT: 0.00779g	
CUSTOMER DRAWING		SCALE: 2:1		SHEET 1 OF 1	

# Mouser Electronics

Authorized Distributor

Click to View Pricing, Inventory, Delivery & Lifecycle Information:

[TE Connectivity:](#)

[1738312-1](#)