

THIS DRAWING IS UNPUBLISHED.

RELEASED FOR PUBLICATION

2008

© COPYRIGHT 2008

BY -

ALL RIGHTS RESERVED.

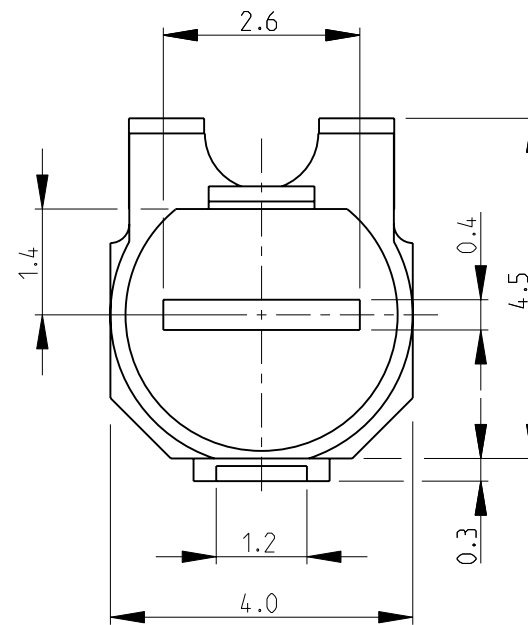
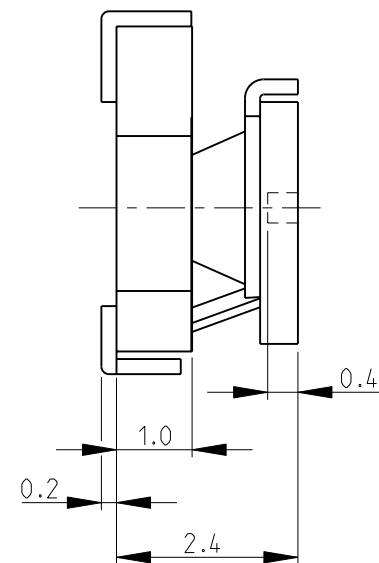
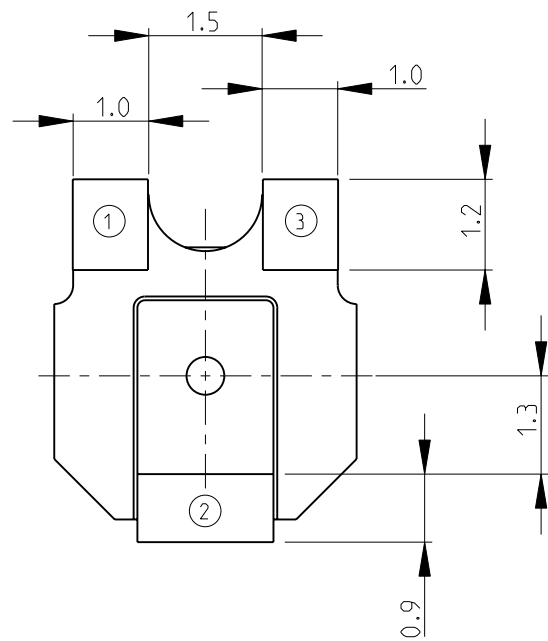
LOC
E

DIST
B

REVISIONS

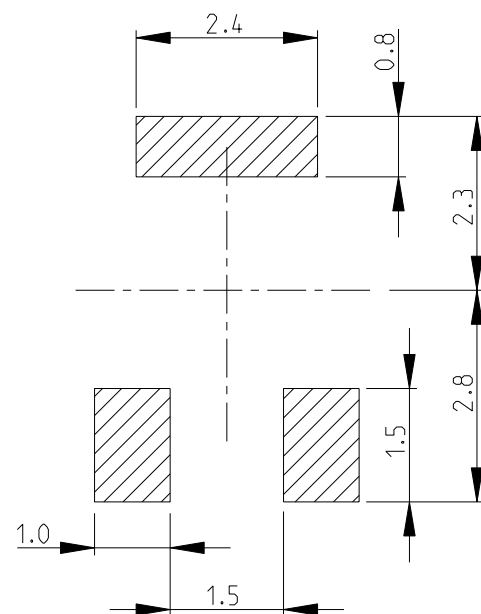
P	LTR	DESCRIPTION	DATE	DWN	APVD
A1		REVISED PER ECO-11-005150	29MAR2011	RK	HMR


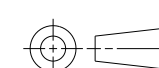
FOR FURTHER INFORMATION SEE DATA SHEET FOR
3142 SERIES-SMD ECONOMY TRIMMERS

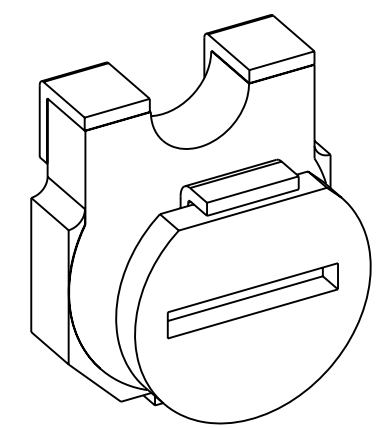


RoHS Compliant

RECOMMENDED LAND PATTERN



THIS DRAWING IS A CONTROLLED DOCUMENT.		DWN SUBHASH.M	12-NOV-08	 TE Connectivity	
DIMENSIONS: mm		CHK PRAKASH.S	12-NOV-08		
		APVD STEPHEN.P	12-NOV-08		
TOLERANCES UNLESS OTHERWISE SPECIFIED:		PRODUCT SPEC		NAME SMD ECONOMY TRIMMERS SERIES 3142	
0 PLC ±0.2		APPLICATION SPEC		SIZE A3	
1 PLC ±0.1		WEIGHT		CAGE CODE 00779	
2 PLC ±		CUSTOMER DRAWING		DRAWING NO C=1623920	
3 PLC ±		SCALE 10:1		RESTRICTED TO	
4 PLC ±		SHEET 1 OF 1		REV A1	
ANGLES ±5°					
FINISH					



Mouser Electronics

Authorized Distributor

Click to View Pricing, Inventory, Delivery & Lifecycle Information:

[TE Connectivity:](#)

[3142W105P](#)