

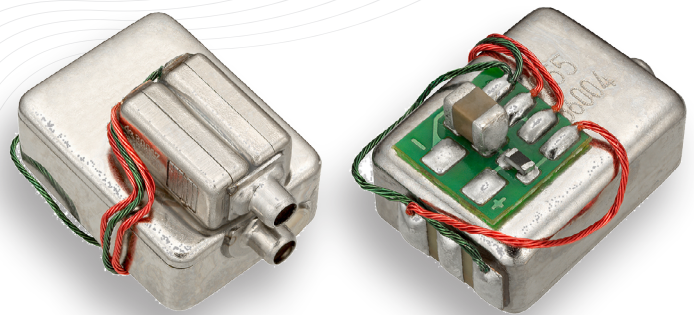
Balanced Armature Driver

GK-31732-000

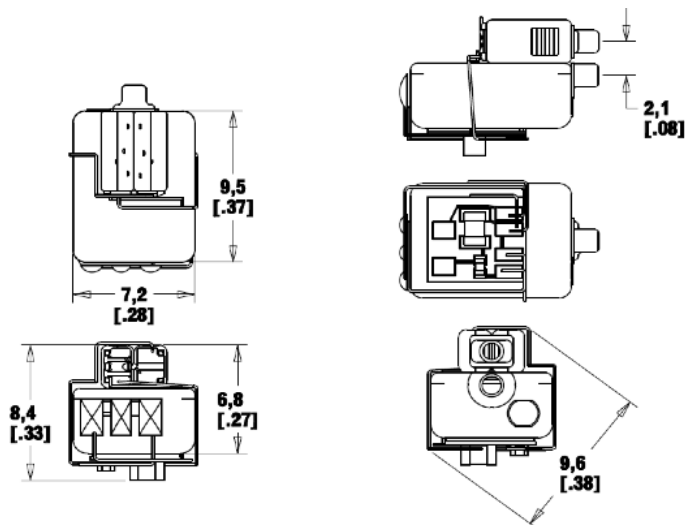
3-Way Woofer / Midrange / Tweeter

Product Features:

- Premium bandwidth
- High Output SPL
- Customization possible (crossover, damping, porting, etc.)
- RoHS compliant



Outline Drawing mm (inches)



Demonstrator Earphone Model Number

(standard sample in BOLD)

	without MIC	with MIC
Straight Cable	TC-7178-000	None

Ordering Information:
Model Number: GK-31732-000

Phone: (630) 250-5100
Fax: (630) 250-0575
info@knowles.com

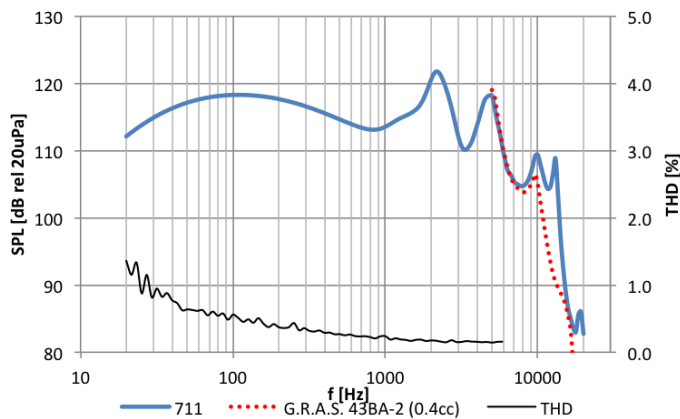
Knowles
1151 Maplewood Drive
Itasca, Illinois 60143

Balanced Armature Driver

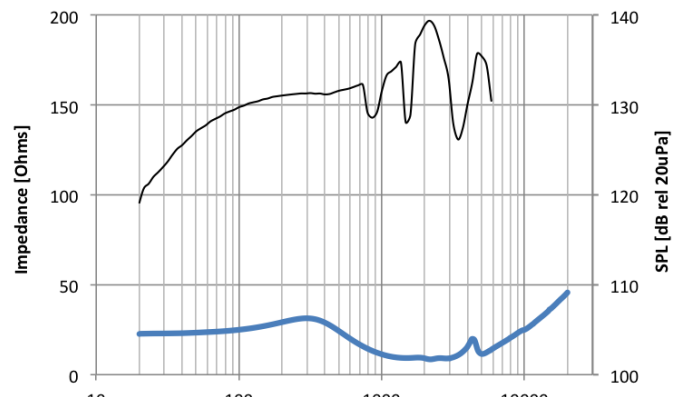
GK-31732-000

3-Way Woofer / Midrange / Tweeter

Frequency Response and THD



Impedance and Saturation SPL



Testing Conditions

using 100mV rms drive signal

— IEC60318-4 (711) coupler with DB2012 adapter

..... G.R.A.S. 43BA-2 (0.4cc) with baffle adapter

— THD

Typical Performance at 1kHz

Impedance	11	Ohms
Sensitivity to 100mV	113	dB SPL
Sensitivity to 1mW	113	dB SPL
Max SPL ^a	131	dB SPL
THD at 94dB SPL	0.1	%
THD at 100dB SPL	0.2	%

Footnotes:

^a SPL at 10% THD

Note: • Ask about custom assembly options (lead wires, customer-specified materials, etc.)
• To prevent heat damage, follow soldering guidelines in application note AN13 (knowles.com)
• Measurement data for reference only. Refer to model specification for full dimensions and performance.

Ordering Information:
Model Number: GK-31732-000

Phone: (630) 250-5100
Fax: (630) 250-0575
info@knowles.com

Knowles
1151 Maplewood Drive
Itasca, Illinois 60143

Mouser Electronics

Authorized Distributor

Click to View Pricing, Inventory, Delivery & Lifecycle Information:

[Knowles:](#)

[GK-31732-000](#)