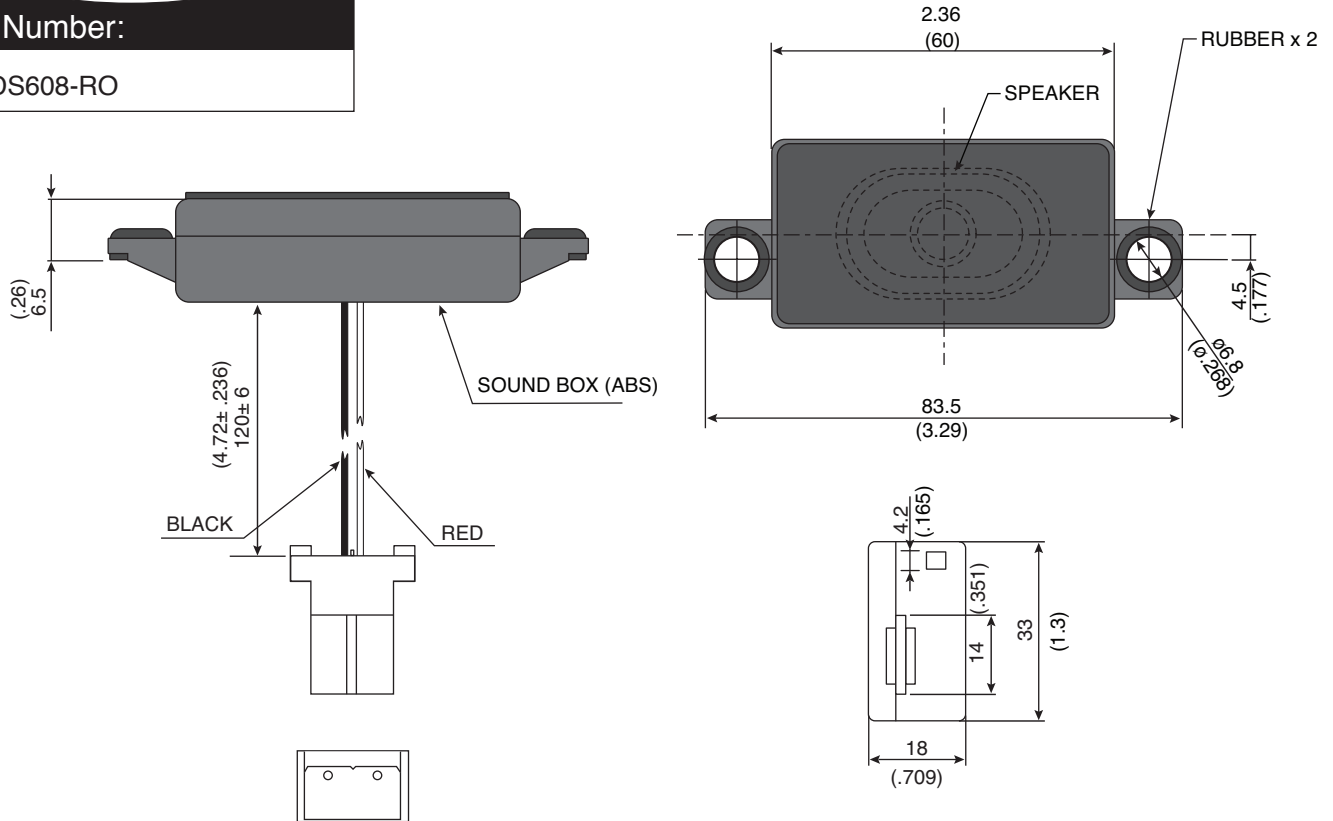


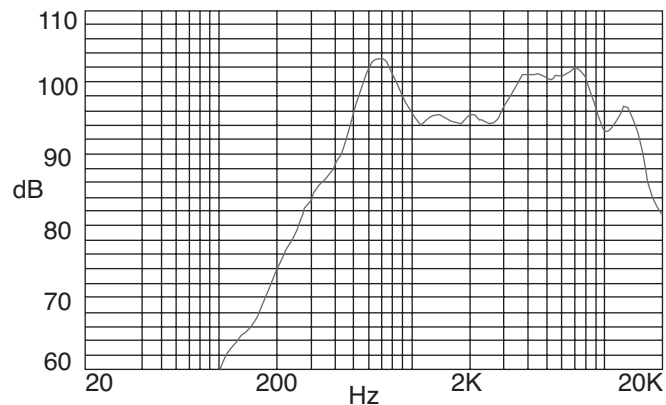
Part Number:

254-DS608-RO



Dynamic Speaker

Frequency Response Curve Graph



KT-400355

Electrical Specifications:

- Rated Input Power: 2.0W
- Impedance: 8Ω ± 15% at 1.5KHz
- Resonance Frequency (Fo): 750Hz ± 20% at Fo, 1V
- Frequency Range: Fo – 20KHz
- Max. Input Power: 3.0W for 1 minute

Material:

- Magnet: NdFeB
- Wire: AWG#26
- HSG: MOLEX 5264 Equivalent

Note:

- RoHS Compliant

# Mouser Electronics

Authorized Distributor

Click to View Pricing, Inventory, Delivery & Lifecycle Information:

[Kobitone:](#)

[254-DS608-RO](#)