

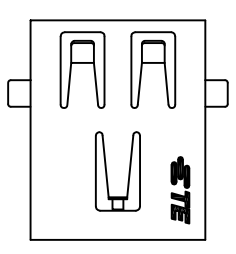
THIS DRAWING IS UNPUBLISHED.
© COPYRIGHT 2003 BY TCO ELECTRONICS CORPORATION. ALL RIGHTS RESERVED.

RELEASED FOR PUBLICATION

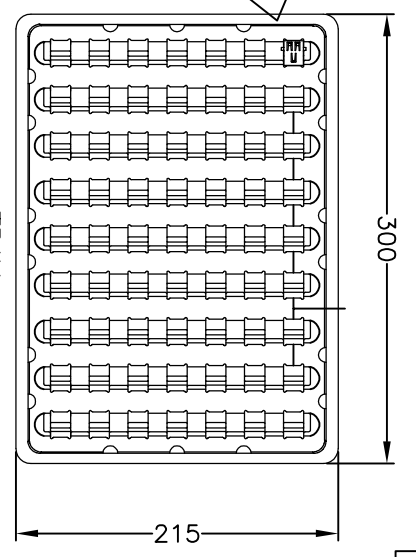
Loc FB DIST

REVISIONS

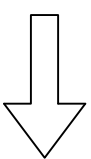
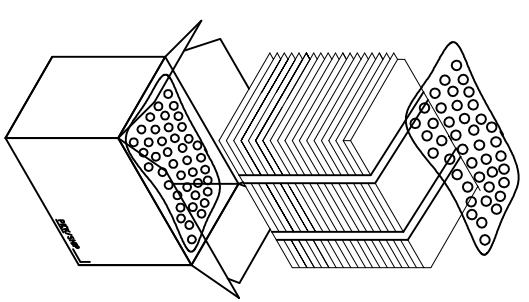
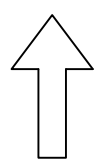
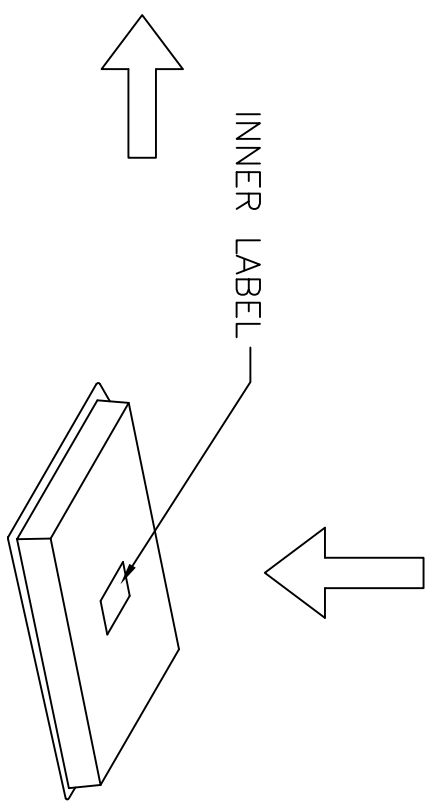
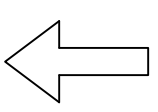
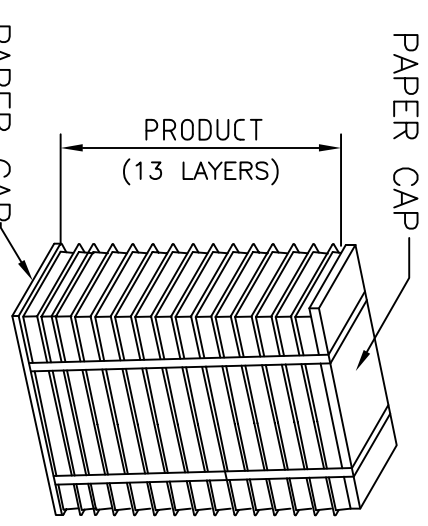
P	LTR	DESCRIPTION	DATE	DWN	APVD
		SEE SHEET 1			



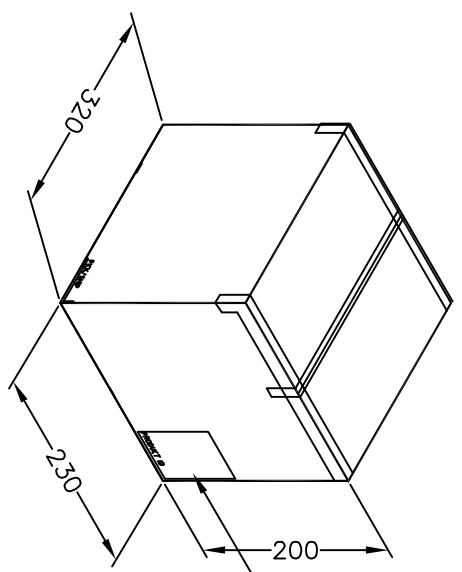
USB CONNECTOR



TRAY



USB CONNECTOR PACKING METHOD



OUTER LABEL

- NOTES :
1. MATERIAL:
TRAY : PS , T=0.8~1.0
SHIPPING CARTON : CORRUGATED FIBERBOARD
 2. DIMENSION
TRAY : L=300, W=215, H=10
SHIPPING CARTON : L=320, W=230, H=200
 3. QUANTITY:
63 PCS/TRAY
819 PCS/SHIPPING CARTON
 4. WEIGHT:
NET WEIGHT:1.24KG
GROSS WEIGHT:2.53KG

THIS DRAWING IS A CONTROLLED DOCUMENT.

DIMENSIONS: mm		TOLERANCES UNLESS OTHERWISE SPECIFIED:		DWN	NAME	STE TE Connectivity	
MATERIAL		0 PLC	±	CHK	USB CONNECTOR RECEPTACLE DIP AND OFFSET TYPE		
MATERIAL		1 PLC	±	APVD	SIZE	CAGE CODE	DRAWING NO
MATERIAL		2 PLC	± 0.3	PRODUCT SPEC	A3	00779	G=1746311
MATERIAL		3 PLC	±	APPLICATION SPEC	SCALE	SHEET	REV
MATERIAL		4 PLC ANGLES	±	WEIGHT	CUSTOMER DRAWING	2 OF 2	G1
MATERIAL							

Mouser Electronics

Authorized Distributor

Click to View Pricing, Inventory, Delivery & Lifecycle Information:

[TE Connectivity:](#)

[1746311-1](#)