

THIS DRAWING IS UNPUBLISHED.

RELEASED FOR PUBLICATION

2008

© COPYRIGHT 2008

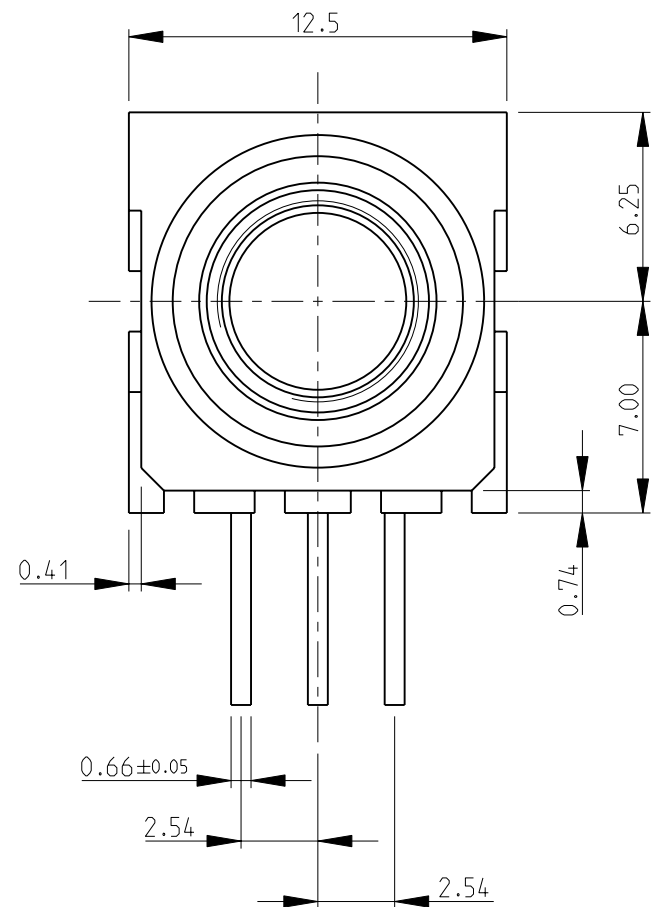
ALL RIGHTS RESERVED.

LOC	DIST
E	B

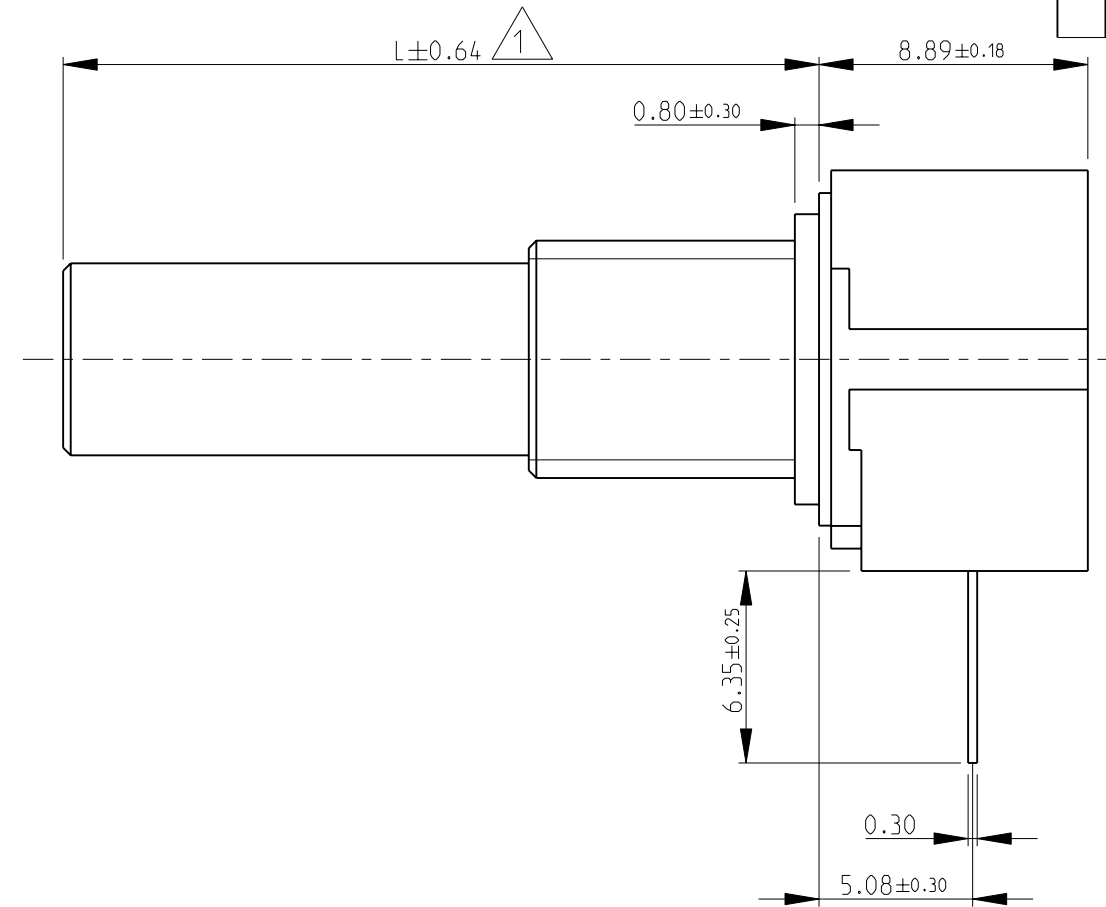
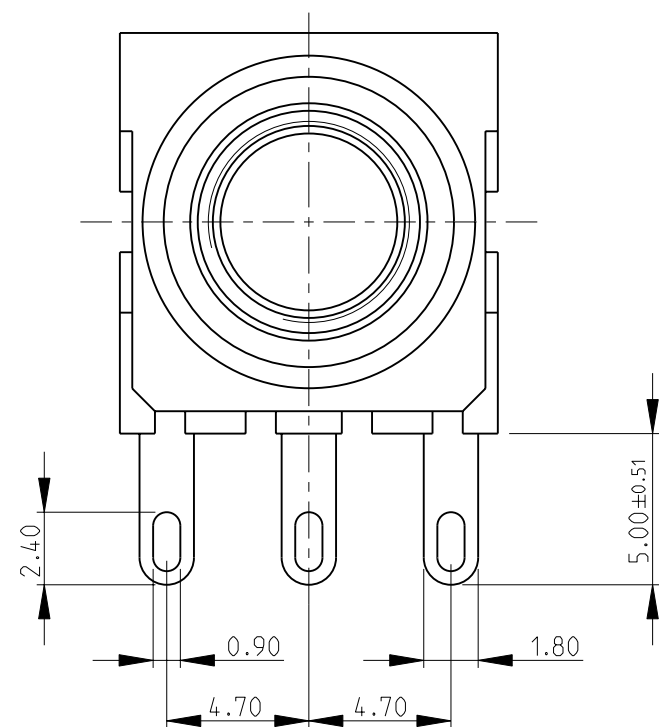
REVISIONS

P	LTR	DESCRIPTION	DATE	DWN	APVD
BA1		REVISED PER ECO-11-005150	29MAR2011	RK	HMR

PCB TERMINATION AS SHOWN



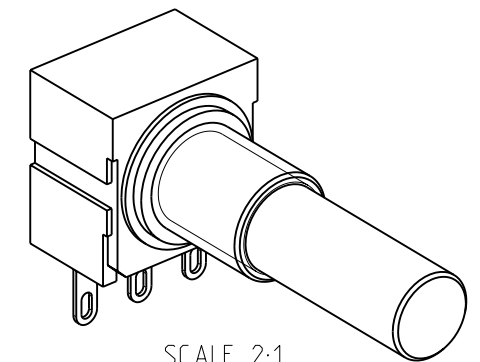
EYELET TERMINATION AS SHOWN



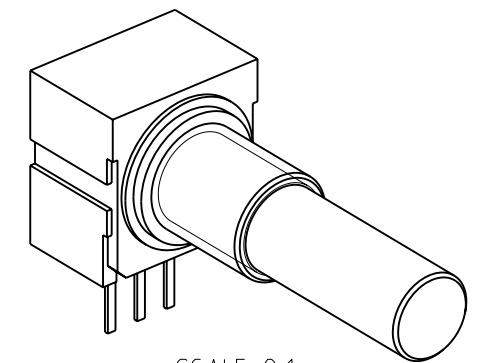
- 1 REFER DATA SHEET FOR SHAFT LENGTH
- 2 AVAILABLE IN DIFFERENT TERMINATIONS, SHAFTS & BUSHES
- 3 FOR FURTHER INFORMATION SEE DATA SHEET FOR 12P SERIES-SPINDLE OPERATED POTENTIOMETER

RoHS Compliant

EYELET TERMINATION AS SHOWN

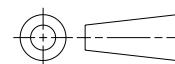


PCB TERMINATION AS SHOWN



THIS DRAWING IS A CONTROLLED DOCUMENT.

DIMENSIONS: mm



TOLERANCES UNLESS OTHERWISE SPECIFIED:	
0 PLC	± 0.5
1 PLC	± 0.2
2 PLC	± 0.1
3 PLC	± -
4 PLC	± -
ANGLES	± 5°

MATERIAL -

FINISH -

DWN	SUBHASH.M	16-Sep-08
CHK	PRAKASH.S	16-Sep-08
APVD	STEPHEN.P	16-Sep-08

PRODUCT SPEC	-
APPLICATION SPEC	-
WEIGHT	-

		TE Connectivity	
		NAME	
SPINDLE OPERATED POTENTIOMETER SERIES 12P, 12C			
SIZE	CAGE CODE	DRAWING NO	RESTRICTED TO
A3	00779	1623754	-
CUSTOMER DRAWING		SCALE 4:1	SHEET 1 OF 1 REV BA1

# Mouser Electronics

Authorized Distributor

Click to View Pricing, Inventory, Delivery & Lifecycle Information:

[TE Connectivity:](#)

[12PESA503MB78EJ](#)