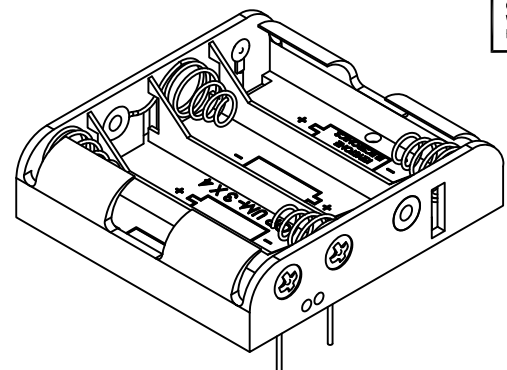
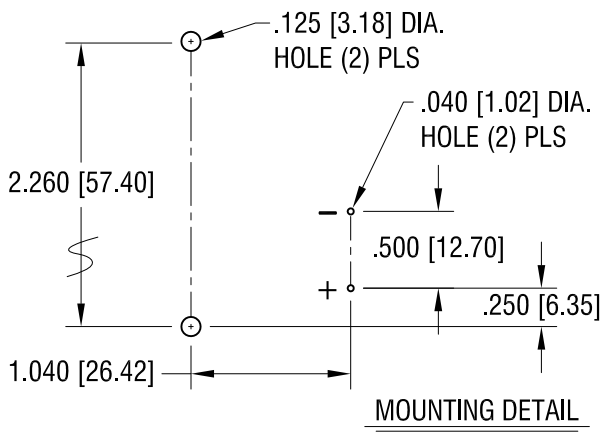
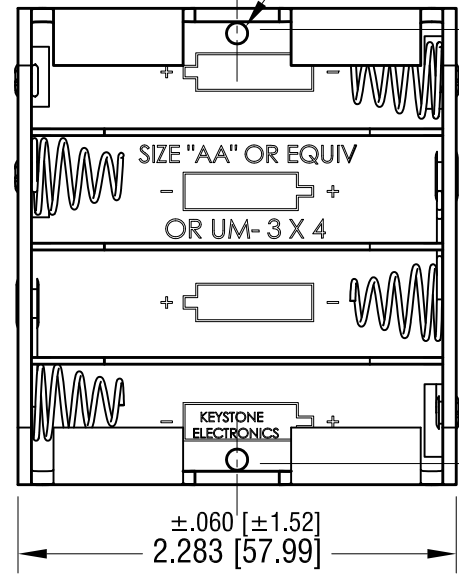
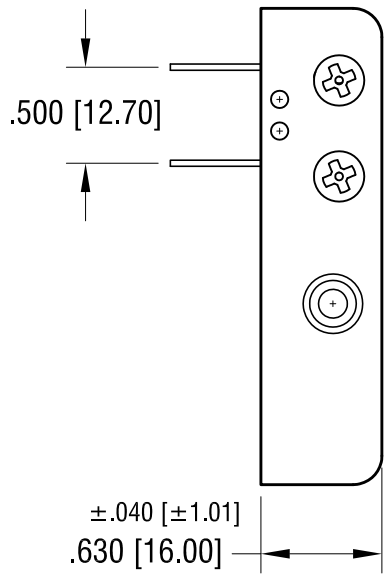


THIS DOCUMENT IS THE PROPERTY OF KEYSTONE ELECTRONICS CORP. AND SHALL NOT BE REPRODUCED, DISTRIBUTED OR USED AS A BASIS FOR MANUFACTURE WITHOUT PRIOR WRITTEN PERMISSION FROM KEYSTONE ELECTRONICS CORP.



$\pm .005 [\pm 0.15]$

.115 [2.92] DIA. HOLE (2) PLS



$\pm .020 [\pm 0.50]$   
2.260 [57.40]

$\pm .040 [\pm 1.01]$   
2.480 [62.99]

$\pm .060 [\pm 1.52]$   
.468 [11.89]

.102 [2.59]

NOTE:  
1. HOLDER: MAT'L: POLYPROPYLENE  
SPRING: MAT'L: MUSIC WIRE, .027 [0.70] DIA.  
PC TERMINALS: MAT'L: BRASS, .032 [0.81] DIA.

9.13.08	CHANGE AS PER ECN 08-154	D
7.14.03	CHANGE AS PER ECN 03-044	C
4.7.03	CHANGE AS PER ECN 03-028	B
11.10.99	CHANGE AS PER ECN 99-082	A
DATE	DESCRIPTION	REV.

<b>KEYSTONE ELECTRONICS CORP.</b>			
www.keyelco.com • NEW HYDE PARK, NY 11040 • Tel (516) 328-7500			
PART NAME		PC BATTERY HOLDER	
MATERIAL		AS NOTED	
FINISH		DRN BY	DATE
NICKEL PLATE		BOONE	3.01.99
		APP'D	SCALE
		LN	1X
TOLERANCES	INCH [MM]	CODE	DWG NO.
DECIMAL	$\pm .015 [\pm 0.38]$	C	<b>2477</b>
ANGULAR	$\pm 1^\circ$		
UNLESS OTHERWISE SPECIFIED			

# Mouser Electronics

Authorized Distributor

Click to View Pricing, Inventory, Delivery & Lifecycle Information:

[Keystone Electronics:](#)

[2477](#)