

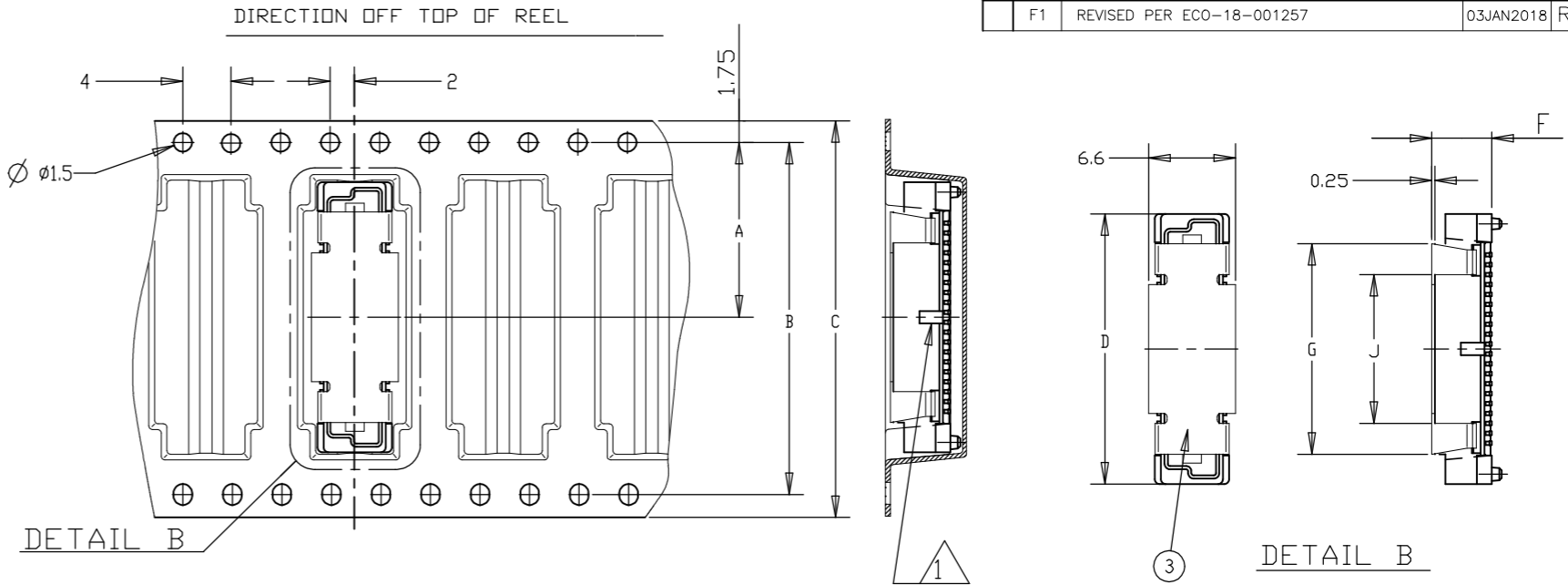
THIS DRAWING IS UNPUBLISHED. RELEASED FOR PUBLICATION.
 © COPYRIGHT - TE Connectivity ALL RIGHTS RESERVED.

REVISIONS					
P	LTR	DESCRIPTION	DATE	DWN	APVD
F1		REVISED PER ECO-18-001257	03JAN2018	R.L	H.L

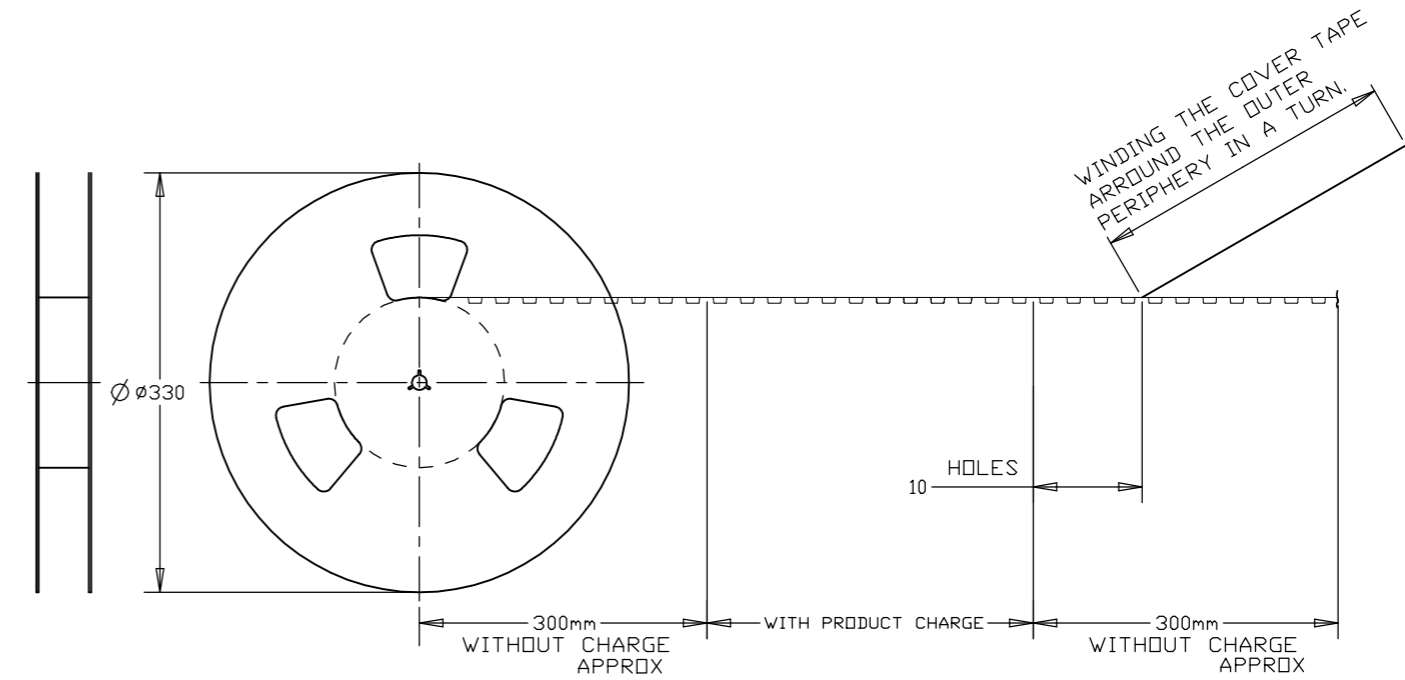
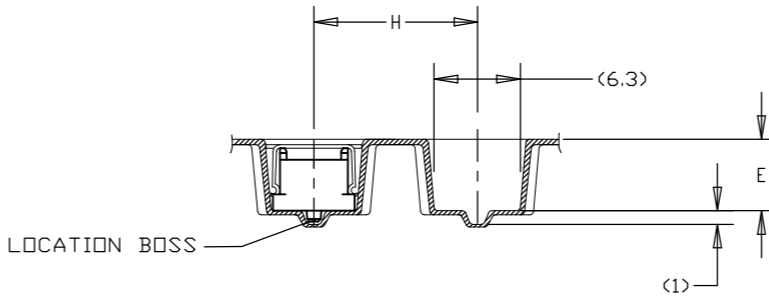
Notes:

- ① CUTOUT FEATURE AVAILABLE ONLY ON 5H ASSY P/N -1 (40P) AND -2 (60P).
- ⑥ 0.00038 MIN GOLD PLATING (15u INCHES GOLD PLATING)
- ③ CONNECTOR DIMENSIONS REFERENCED FROM DRAWING WHICH CONN. P/Ns BASED
- ④ CONNECTOR WITH BLACK HOUSING
- ⑤ MATERIAL: HOUSING: L.C.P UL 94-V0. CONTACT: BRASS

LOW HALOGEN



QTY	HEIGHT TYPE	Y	X	J	H	G	F	E	D	C	B	A	PDS	SALEABLE PART NO.
450	7H	3.6	6.6	12	6.85	7.25	21.8	32	28.4	14.2	40	7-5177986-1	7-	-6
700	7H	3.6	6.6	12	6.85	7.25	21.8	32	28.4	14.2	40	7-5177986-1	6-	-8
550	7H	3.6	6.6	12	6.85	7.25	21.8	32	28.4	14.2	40	7-5177986-1	6-	-5
800	6H	2.6	5.6	12	5.85	6.25	21.8	32	28.4	14.2	40	6-5177986-1	6-	-4
650	6H	2.6	5.6	12	5.85	6.25	21.8	32	28.4	14.2	40	6-5177986-1	6-	-3
900	5H	1.2	4.6	12	4.85	5.25	21.8	32	28.4	14.2	40	5-5177986-1	5-	-2
450	7H	3.6	6.6	12	6.85	7.25	53.8	72	68.4	34.2	120	4-5177986-5	4-	-0
400	8H	4.6	7.6	12	7.85	8.25	21.8	32	28.4	14.2	40	3-5177986-1	3-	-9
600	8H	4.6	7.6	12	7.85	8.25	21.8	32	28.4	14.2	40	3-5177986-1	3-	-8
450	7H	3.6	6.6	12	6.85	7.25	21.8	32	28.4	14.2	40	2-5177986-1	2-	-6
700	7H	3.6	6.6	12	6.85	7.25	21.8	32	28.4	14.2	40	2-5177986-0	2-	-5
500	7H	3.6	6.6	12	6.85	7.25	21.8	32	28.4	14.2	40	2-5177986-0	2-	-4
550	7H	3.6	6.6	12	6.85	7.25	21.8	32	28.4	14.2	40	2-5177986-0	2-	-3
800	6H	2.6	5.6	12	5.85	6.25	21.8	32	28.4	14.2	40	1-5177986-1	1-	-2
650	6H	2.6	5.6	12	5.85	6.25	21.8	32	28.4	14.2	40	1-5177986-1	1-	-1
900	5H	1.2	4.6	12	4.85	5.25	21.8	32	28.4	14.2	40	5177986-1	1-	-0



WINDING THE COVER TAPE
 AROUND THE OUTER
 PERIPHERY IN A TURN.

STEEL COVER

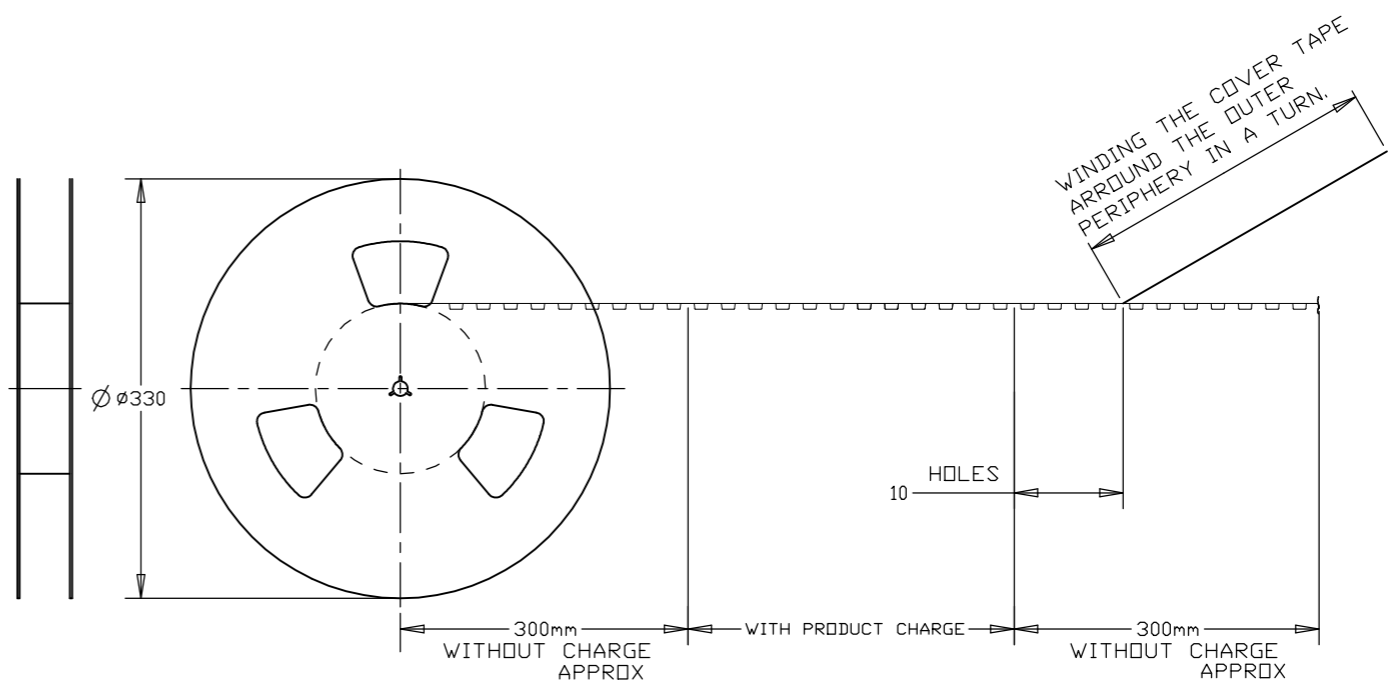
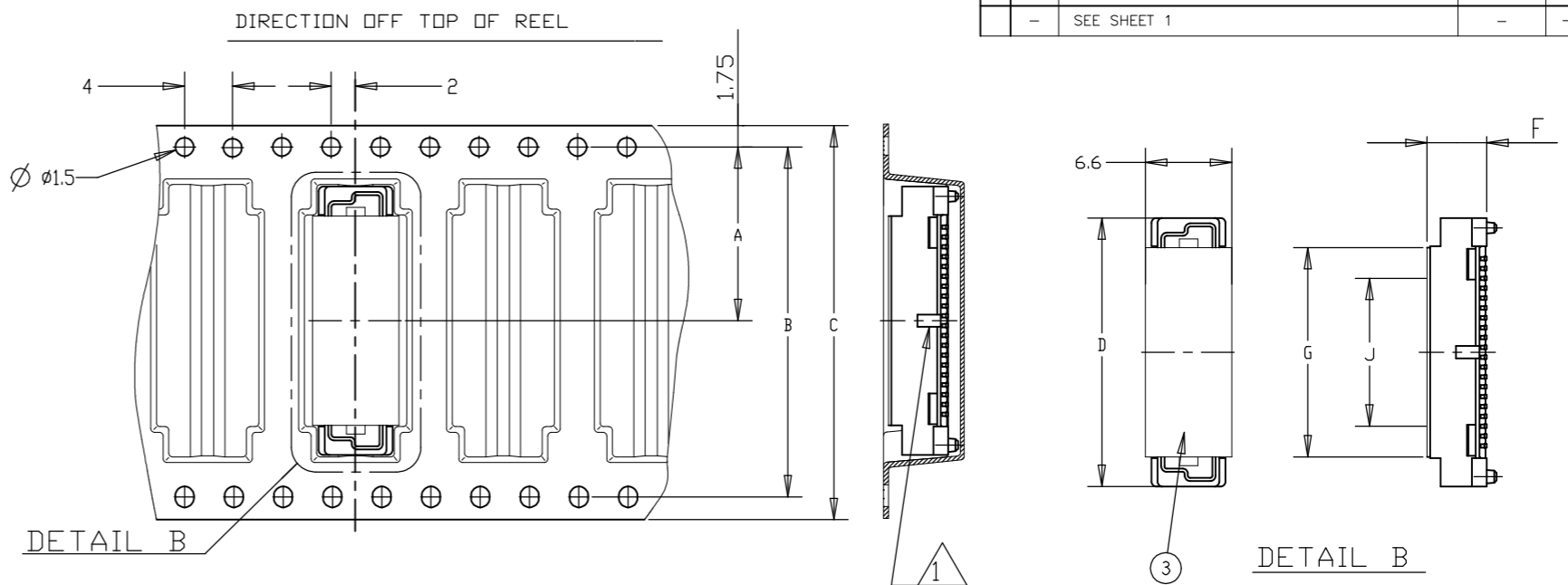
THIS DRAWING IS A CONTROLLED DOCUMENT.		DWN 30AUG2004 FLORENCE TAN		TE Connectivity	
DIMENSIONS: mm		CHK 30MAY2012 ERIC TNG		NAME	
TOLERANCES UNLESS OTHERWISE SPECIFIED:		APVD 30MAY2012 SF LEONG		PLUG ASSEMBLY, FH 0.8 ON TAPING (EMBOSS) 0.5 BOSS LENGTH	
0 PLC ± -		PRODUCT SPEC		SIZE CAGE CODE DRAWING NO RESTRICTED TO	
1 PLC ± 0.2		APPLICATION SPEC		A2 00779 C=5177986	
2 PLC ± 0.15		WEIGHT 0		SCALE 1:1 SHEET 1 of 3 REV F1	
3 PLC ± 0.1		CUSTOMER DRAWING			
4 PLC ANGLES ± -					
MATERIAL FINISH					

THIS DRAWING IS UNPUBLISHED. RELEASED FOR PUBLICATION
 © COPYRIGHT - TE Connectivity ALL RIGHTS RESERVED.

LOW HALOGEN

REVISIONS				
P	LTR	DESCRIPTION	DATE	APVD
-	-	SEE SHEET 1	-	-

Notes:
 6 0.0002 MIN GOLD PLATING
 (7.8u INCHES GOLD PLATING)

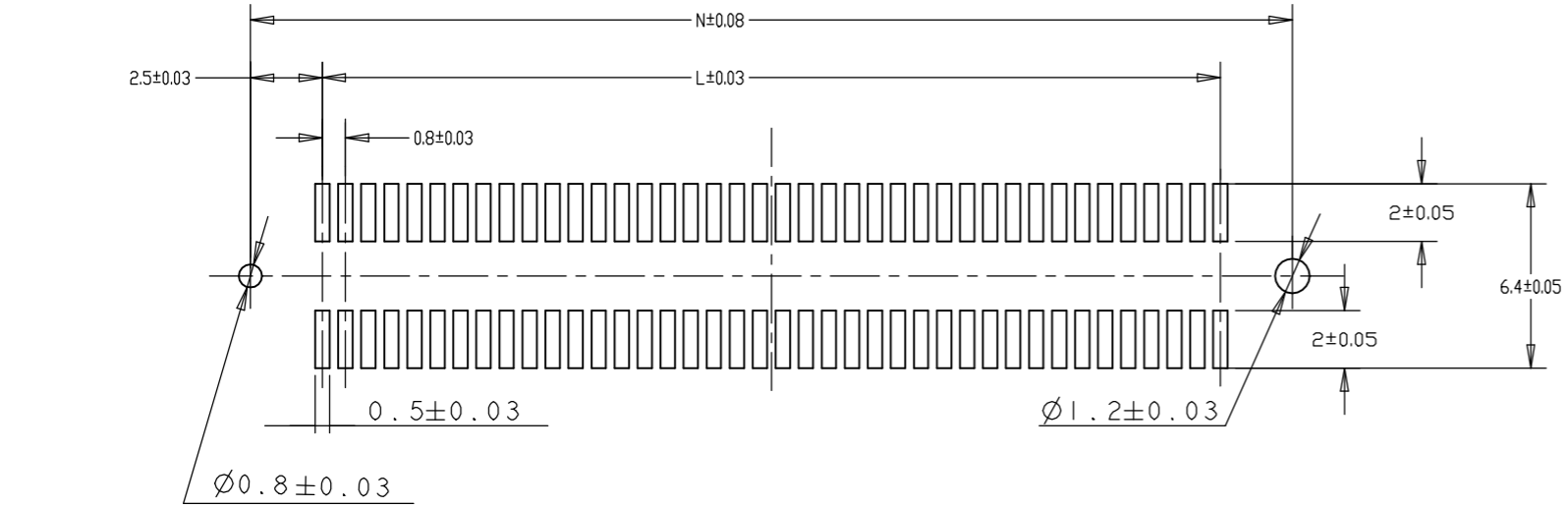
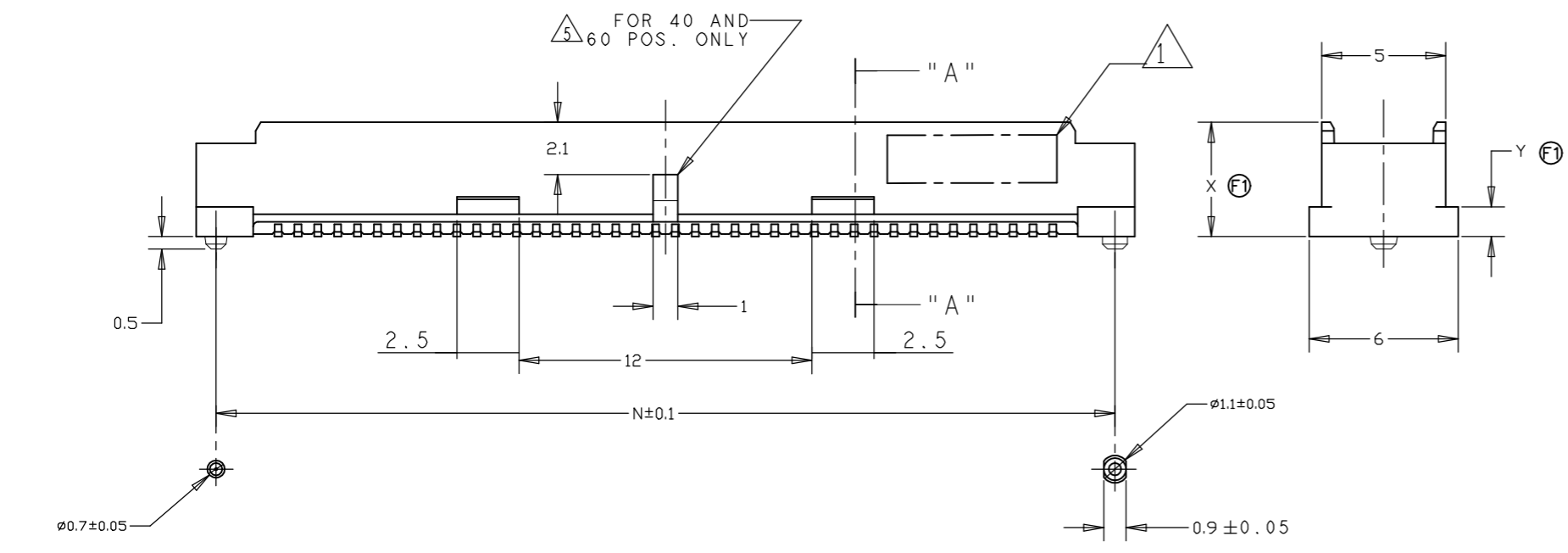
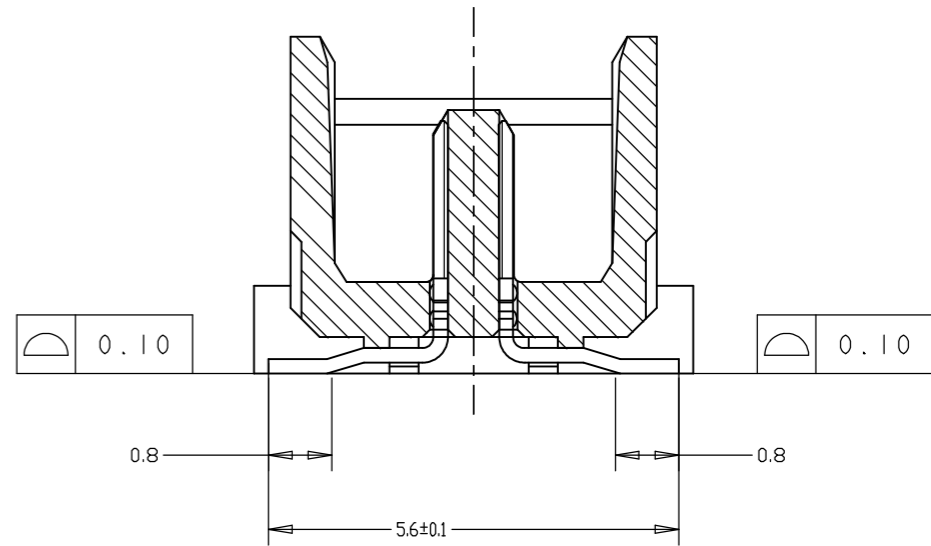
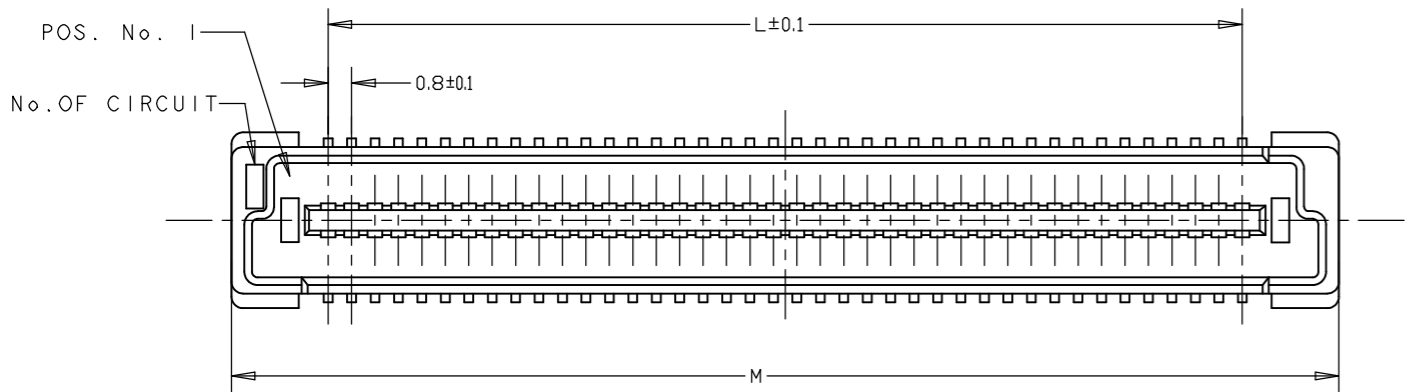


POLYIMIDE COVER

REMARKS	QTY	HEIGHT TYPE	J	H	G	F	E	D	C	B	A	POS	SALEABLE PART NO.
	650	5H	12	16	17	4.85	5.25	61.8	88	84.4	42.2	140	9-5177986-6

THIS DRAWING IS A CONTROLLED DOCUMENT.		DWN FLORENCE TAN 30AUG2004		
DIMENSIONS: mm		CHK ERIC TNG 30MAY2012		
TOLERANCES UNLESS OTHERWISE SPECIFIED:		APVD SF LEONG 30MAY2012	NAME	
0 PLC ± -		PRODUCT SPEC	PLUG ASSEMBLY, FH 0.8 ON TAPING (EMBOSS) 0.5 BOSS LENGTH	
1 PLC ± 0.2		APPLICATION SPEC	SIZE	RESTRICTED TO
2 PLC ± 0.15		WEIGHT	A2	
3 PLC ± 0.1		CUSTOMER DRAWING	CAGE CODE	
4 PLC ± -		SCALE	00779	
ANGLES ± -		SHEET	C=5177986	
FINISH		REV		
				F1

REVISIONS				
P	LTR	DESCRIPTION	DATE	APVD
-	-	SEE SHEET 1	-	-



RECOMMENDED P.C. BOARD LAYOUT

LOW HALOGEN

CONNECTOR ONLY

84.2	85.8	79.2	200
76.2	77.8	71.2	180
68.2	69.8	63.2	160
60.2	61.8	55.2	140
52.2	53.8	47.2	120
44.2	45.8	39.2	100
36.2	37.8	31.2	80
28.2	29.8	23.2	60
20.2	21.8	15.2	40
N	M	L	POS.

THIS DRAWING IS A CONTROLLED DOCUMENT.		DWN FLORENCE TAN 30AUG2004		
DIMENSIONS: mm		CHK ERIC TNG 30MAY2012		
TOLERANCES UNLESS OTHERWISE SPECIFIED:		APVD SF LEONG 30MAY2012	NAME	
0 PLC ± -		PRODUCT SPEC	PLUG ASSEMBLY, FH 0.8 ON TAPING (EMBOSS) 0.5 BOSS LENGTH	
1 PLC ± 0.2		APPLICATION SPEC	RESTRICTED TO	
2 PLC ± 0.15		WEIGHT	SIZE	CAGE CODE
3 PLC ± 0.1		0	A2	00779
4 PLC ± -		CUSTOMER DRAWING	DRAWING NO	
ANGLES ± -		SCALE	C=5177986	
FINISH		1:1	SHEET 3 of 3	
MATERIAL		REV		F1

5177986

Mouser Electronics

Authorized Distributor

Click to View Pricing, Inventory, Delivery & Lifecycle Information:

[TE Connectivity:](#)

[3-5177986-1](#)