

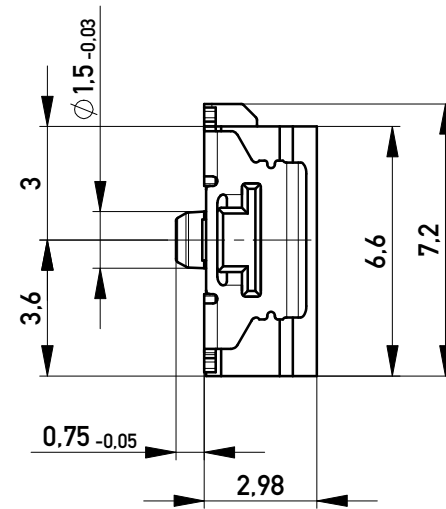
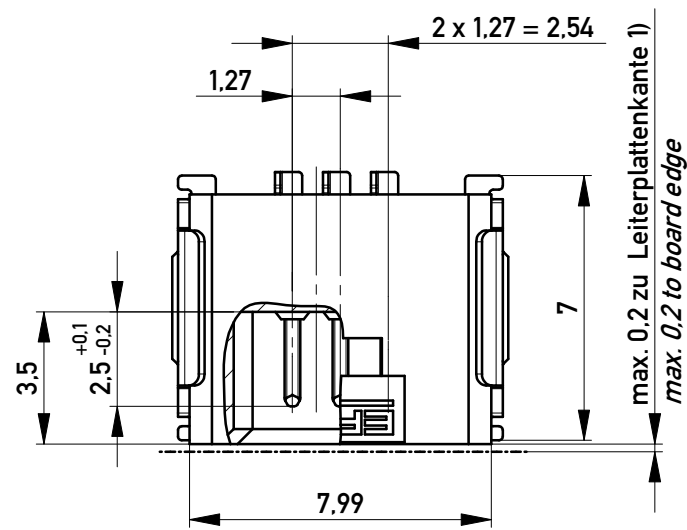
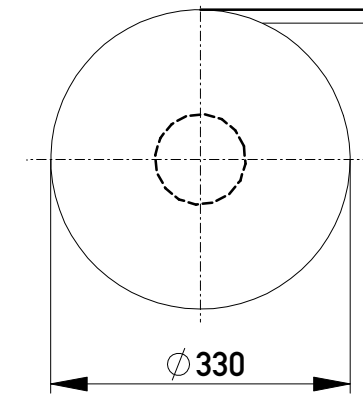
Anforderungsstufe 1  
Performance Level 1

Kontaktbereich vergoldet  
Mating Area gold plating

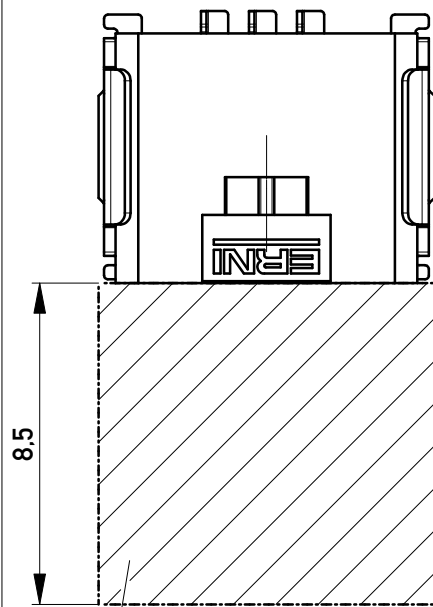
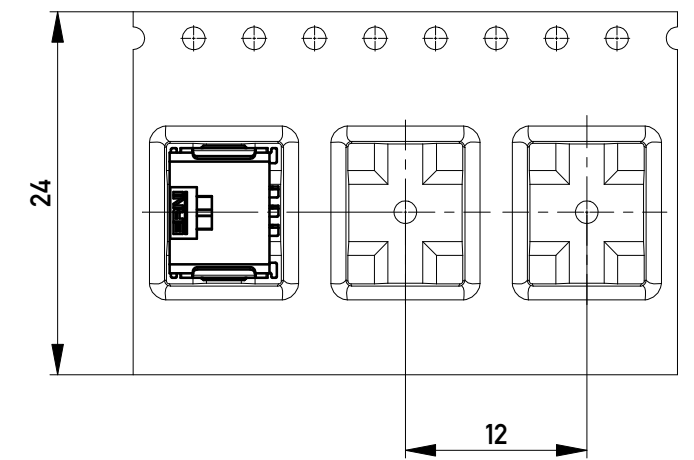
Anschlussbereich verzinkt 4-6 µm  
Terminal Area 4-6 µm tin plating

Koplanarität der Anschlüsse ≤ 0,1 mm  
Coplanarity Area of Termination ≤ 0,1 mm

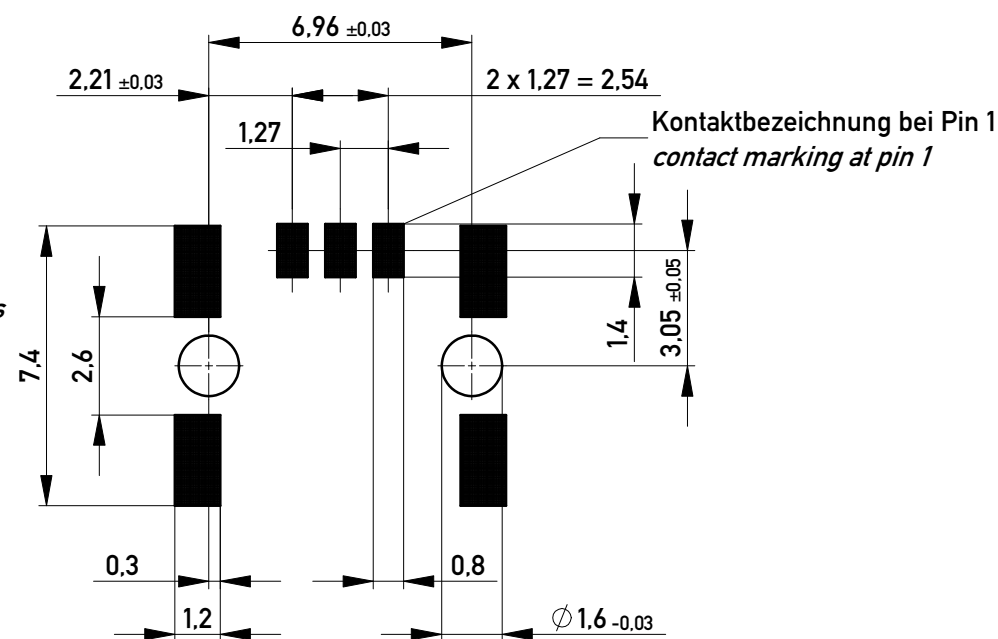
Verpackt im Gurt in Anlehnung an DIN IEC 60286-3  
tape on reel packaging according to DIN IEC 60286-3  
Verpackungseinheit: 1000 Stück  
packaging unit: 1000 pcs



Abspulrichtung - Reel off Direction



Leiterplatten-Layout für SMT  
PCB-Layout for SMT



Sperrfläche für Leiterbahnen  
gültig bei Verwendung von  
Gegenstecker Federleiste 90°  
in SKV Ausführung  
Restricted area for conductors  
valid for use by mating  
female connector 90°  
in IDC version

1) gültig bei Verwendung von Gegenstecker Federleiste 90° in SMD Ausführung  
valid for use by mating female connector 90° in SMD version

Information:		Tolerances	All Dimensions in mm	Scale	5:1
All rights reserved. Only for Information. To ensure that this is the latest version of this drawing, please contact one of the ERNI companies before using.		Subject to modification without prior notice. Drawing will not be updated.		Designation	
www.ERNI.com				M 1,27 SRC A, 3-polig BA1 M 1,27 SRC A, 3-pin	
g	03.09.2018			234450	
Index	Date			1 A3	
				Class	SRCA

Copyright by ERNI Production GmbH & Co. KG  
Proprietary notice pursuant to ISO 16016 to be observed.

# Mouser Electronics

Authorized Distributor

Click to View Pricing, Inventory, Delivery & Lifecycle Information:

[ERNI Electronics:](#)

[234450](#)