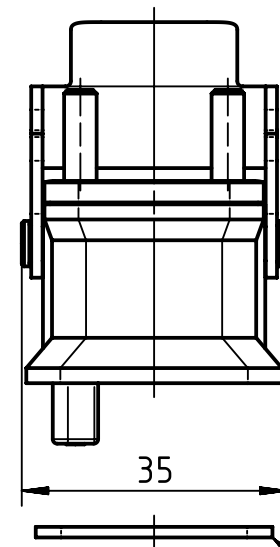
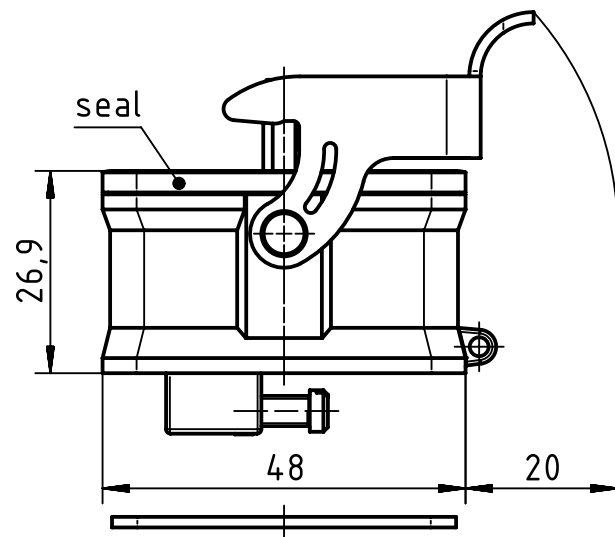
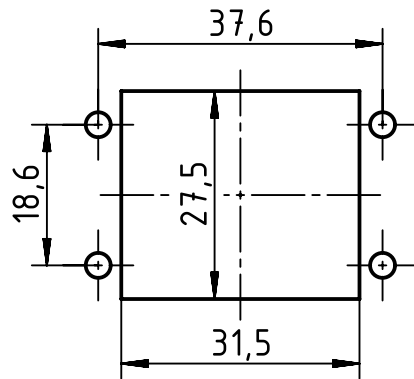


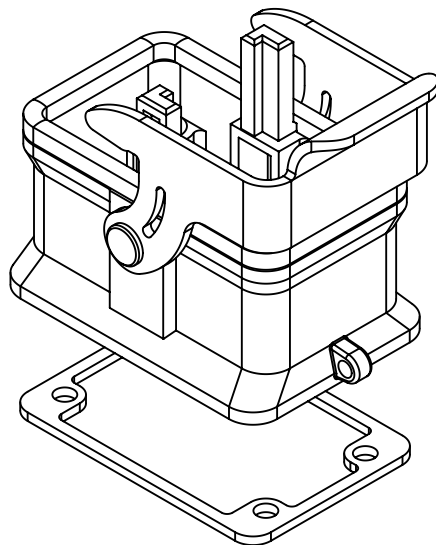
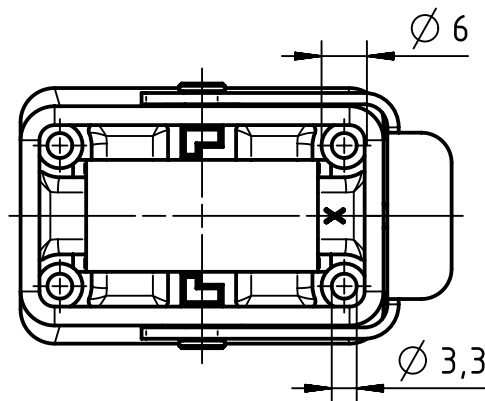
1 2 3 4 5 6

A
B
C
D

panel cut out



gasket is enclosed separately



	All rights reserved Department EL PD - DE	All Dimensions in mm Original Size DIN A4		Scale 1:1	Free size tol.	Ref.	
		Created by FINKEV	Inspected by BERGHORN	Standardisation TIEMANNA	Date 2014-09-03	State Final Release	
HARTING Electric GmbH & Co. KG D-32339 Espelkamp		Title Han-Modular Compact housing				Doc-Key / ECM-Nr. 100203573/UGD/004/B 500000079388	
		Type TB	Number 09 14 001 0301			Rev. B	Page 1/1

Mouser Electronics

Authorized Distributor

Click to View Pricing, Inventory, Delivery & Lifecycle Information:

[HARTING:](#)

[09140010301](#)