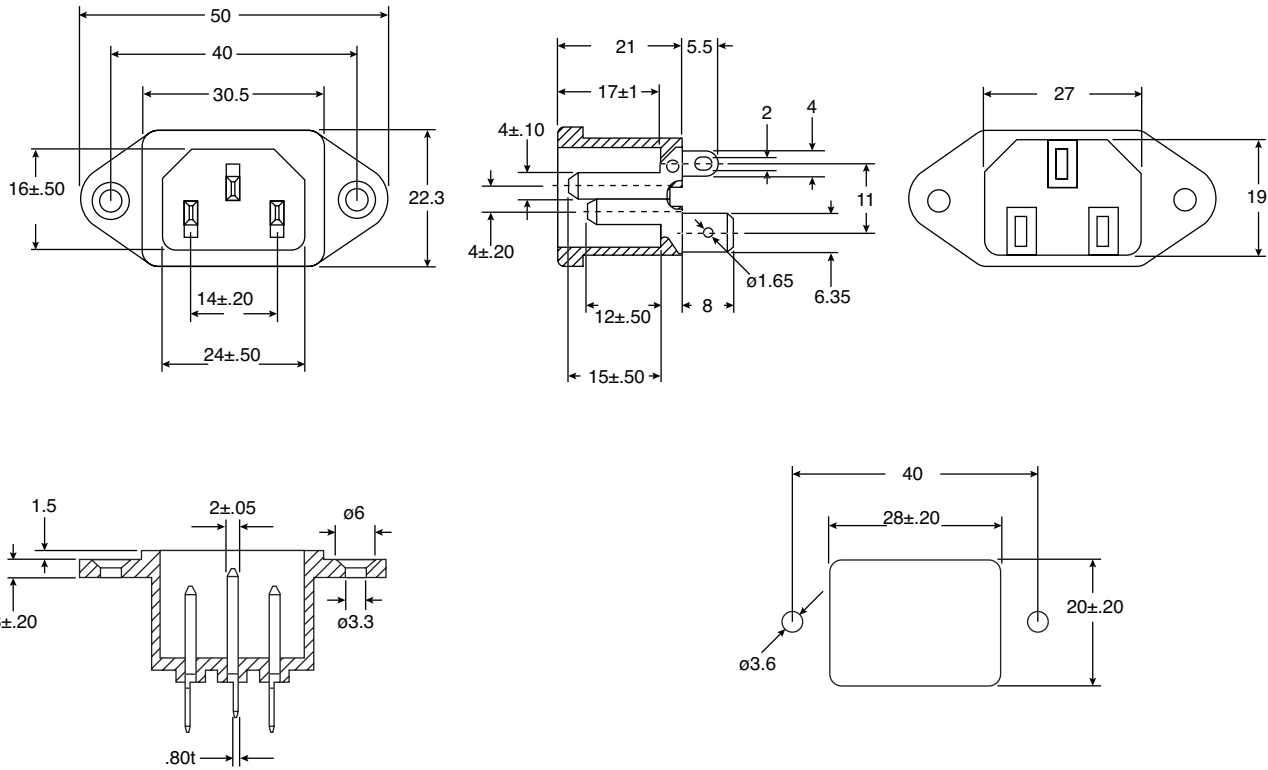


IEC 60320 C14 Inlet

161-R30148-E



IEC 60320 C14 Inlet



Dimensions: mm

Materials	
Body:	Black Glass-Fiber Thermoplastic

SPECIFICATIONS	
Rating:	10A, 250VAC
Insulation Resistance:	Over 100MΩ at 500VDC
Dielectric Strength:	2000VAC for 1 minute
RoHS Compliant	

Tolerance
X.XX±0.1
XX.XX±0.2
XXX.XX±0.3

Date Last Revised: 8-20-07

Available from Mouser Electronics
1-800-346-6873 / www.mouser.com

KC- 301181

Specifications are subject to change without notice. No liability or warranty implied by this information. Environmental compliance based on producer documentation.

161-R30148-E

Mouser Electronics

Authorized Distributor

Click to View Pricing, Inventory, Delivery & Lifecycle Information:

[Kobiconn:](#)

[161-R30148-E](#)