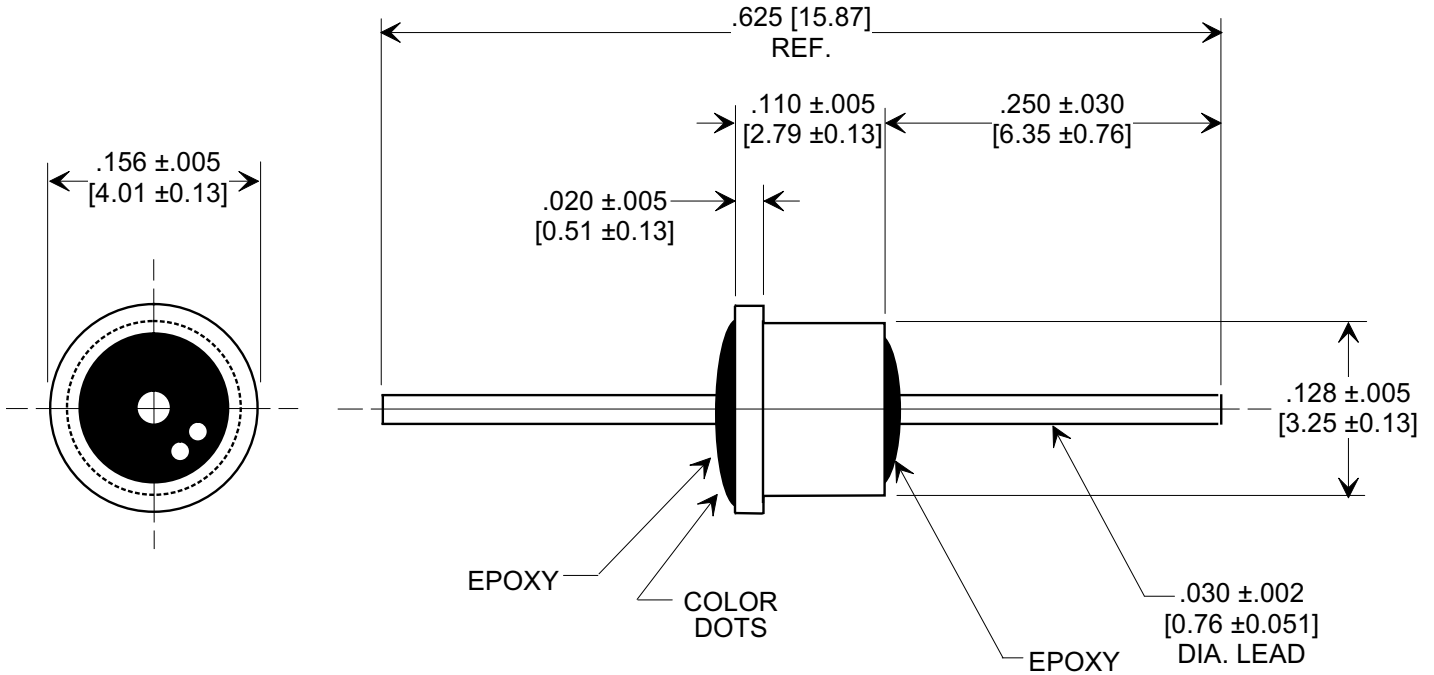
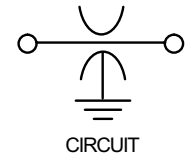
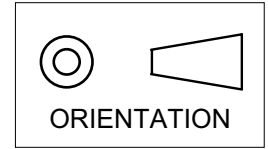


**MARKETING SALES DRAWING**  
**DIMENSIONS IN INCHES - DO NOT SCALE THIS DRAWING**  
**DIMENSIONS IN METRIC - [ ]**

Electrical Testing  
per Tusonix standard  
test plans and Mil-Std-202  
Test Methods.



**NOTES:**

1. Operating temperature range -55° C to +125° C.
2. Silver plated case / Gold plated lead.
3. Epoxy sealed.
4. Max. recommended soldering temperature: 260° C.  
See installation recommendations.
5. Recommended mounting hole: .135 [3.43] dia.
6. Solder preform available for mounting.
7. Tusonix Standard part number: 4302-680.  
Tusonix RoHS compliant part number: 4302-680 LF.  
Customer must specify Standard or RoHS part number when ordering.
8. RoHS compliant part marked with additional dark green dot for identification.

Cx (pF)	TOL.	DC WORKING VOLTAGE		DC CURRENT (AMPS)	MIN. NO LOAD INSERTION LOSS (dB) @ 25° C PER MIL-STD-220					COLOR CODE
		85°C	125°C		1 MHz	10 MHz	100 MHz	1GHz	10 GHz	
5	MAX.	300	200	10	---	---	---	---	---	BLK-BLK

REVISION RECORD	0	Original Release
	C.O. 20020104-1-04	
	ADDED DIM. .250. S.M.01-14-02	
	20020114-2-01	
	1	DC CURRENT WAS 5. S.M. 01-20-03
2	20030116-3-06	
3	ADDED NOTES 7 & 8. S.M. 05-31-05	
	20050513-4-32	

--TOLERANCES-- Unless Otherwise Specified		Title <b>SOLDER MOUNT EMI FILTER</b>	
DECIMAL ±		Drawn	S.M. 01-07-02
ANGLES ±		Scale	7 X
 TUCSON, ARIZONA		Approved	T.C. 01-07-02
		<b>A</b>	<b>4302-680</b>

X-2015 Rev-0

# Mouser Electronics

Authorized Distributor

Click to View Pricing, Inventory, Delivery & Lifecycle Information:

[Tusonix:](#)

[4302-680LF](#)