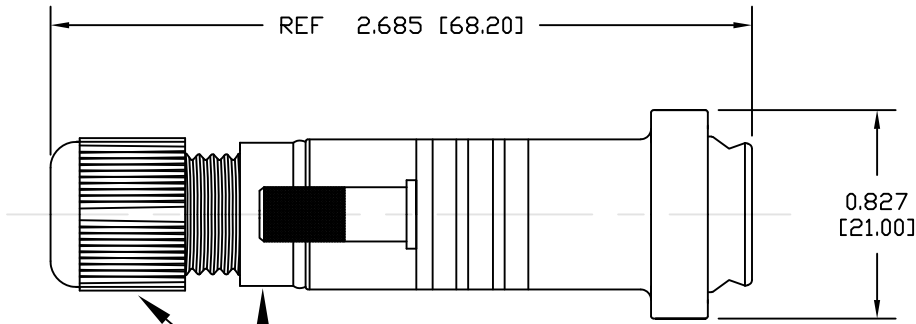
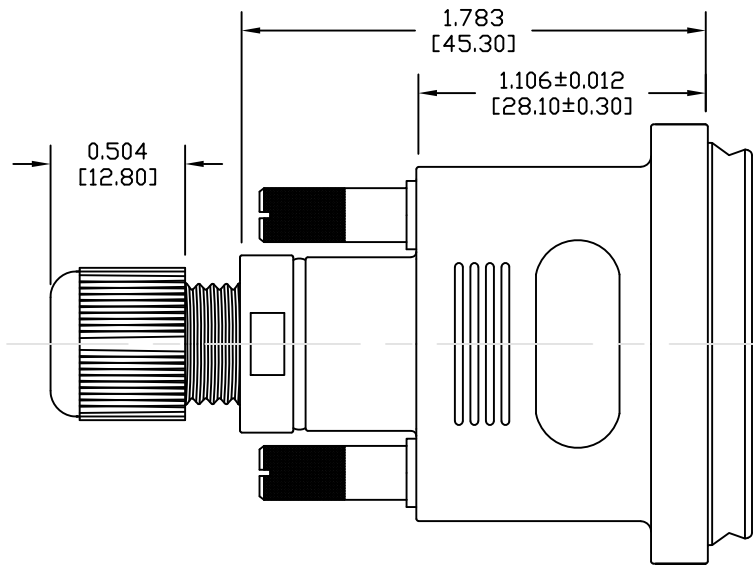


DESCRIPTION: IP67 - 9 POSITION PLASTIC BACKSHELL - ONLY



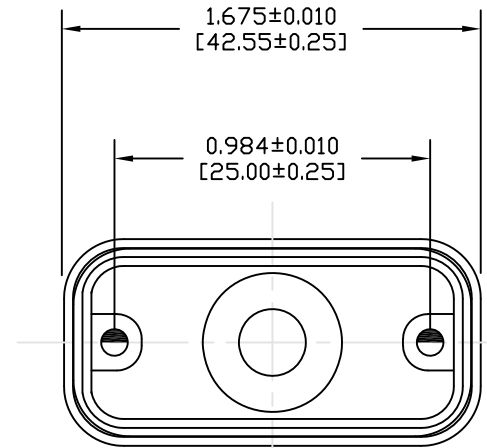
TORQUE
SETTING
6.075-9.547 in.lbs
[7-11 kgf.cm]

MATERIAL & FINISH:

BACKSHELL: ABS - UL HB RATED, BLACK COLOR
 BUSHING & BAFFLE: SILICONE
 THUMBSCREWS: BRASS, NICKEL PLATED
 TEMPERATURE: ABS: 0°C TO +80°C
 SILICON: -35°C TO +116°C
 CABLE DIAMETER: 0.260 inches [6.60mm] Max.
 0.100 inches [2.54mm] Min.

MATING PANEL:

*INTENDED TO MATE TO REAR MOUNTED DSUB
 RECOMMENDED MAX PANEL THICKNESS: 0.065"
 RECOMMENDED MIN PANEL THICKNESS: 0.040"



DO NOT SCALE FROM DRAWING



THESE DRAWINGS AND SPECIFICATIONS ARE THE PROPERTY OF NorComp AND SHALL NOT BE REPRODUCED, COPIED OR USED AS THE BASIS FOR THE MANUFACTURE OF SALE OF APPARATUS WITHOUT WRITTEN PERMISSION.

DRAWN: M. SIGMON		DATE: 12-2-10	
SCALE: NTS	SHEET 1	OF 1	REV 6
DWG NO.		967-009-010R011	

NorComp

RoHS COMPLIANT

Mouser Electronics

Authorized Distributor

Click to View Pricing, Inventory, Delivery & Lifecycle Information:

[NorComp:](#)

[967-009-010R011](#)