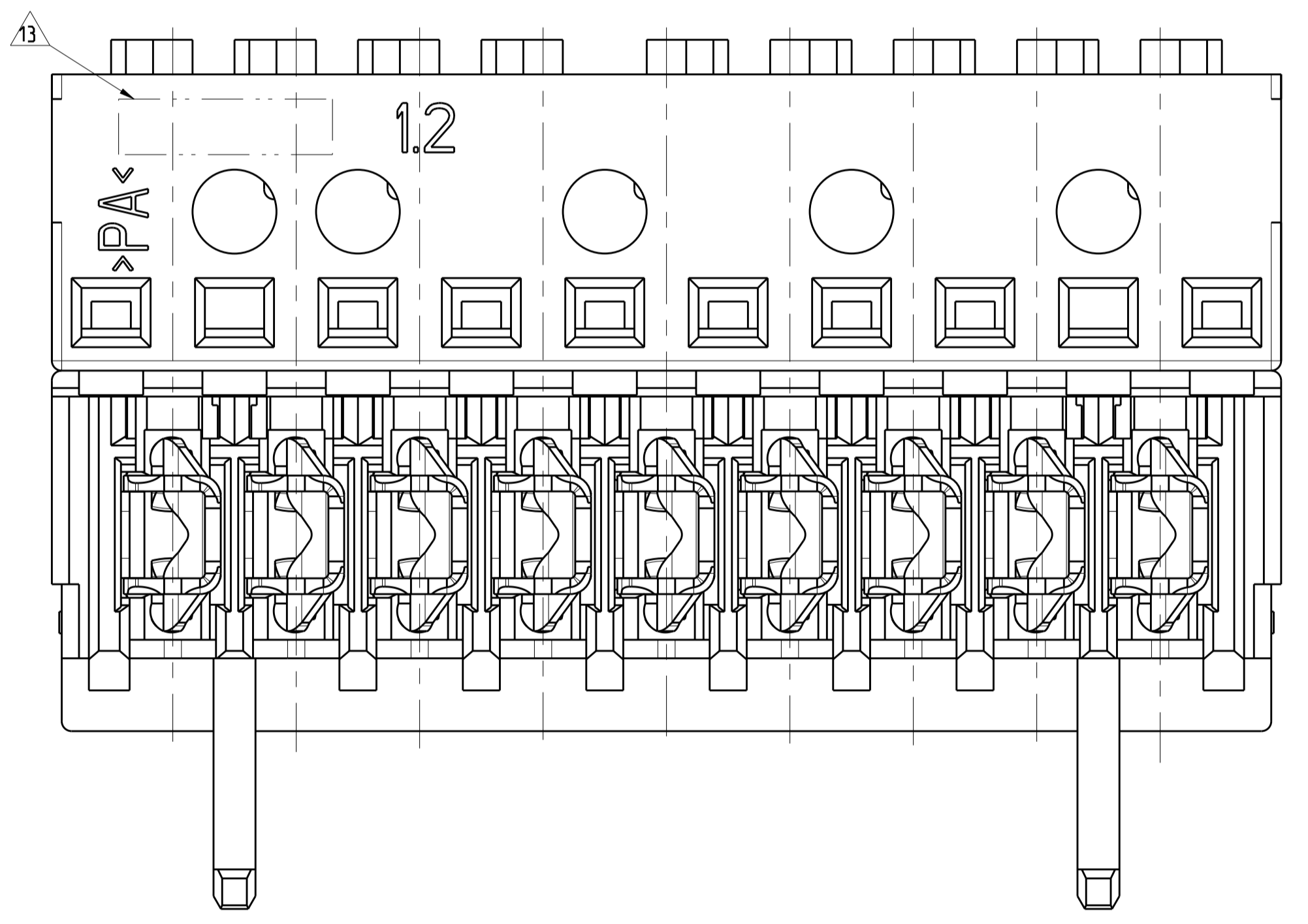
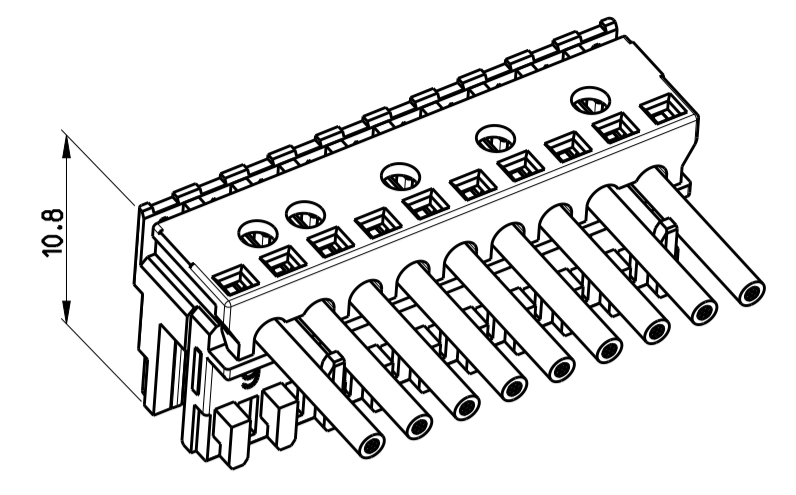
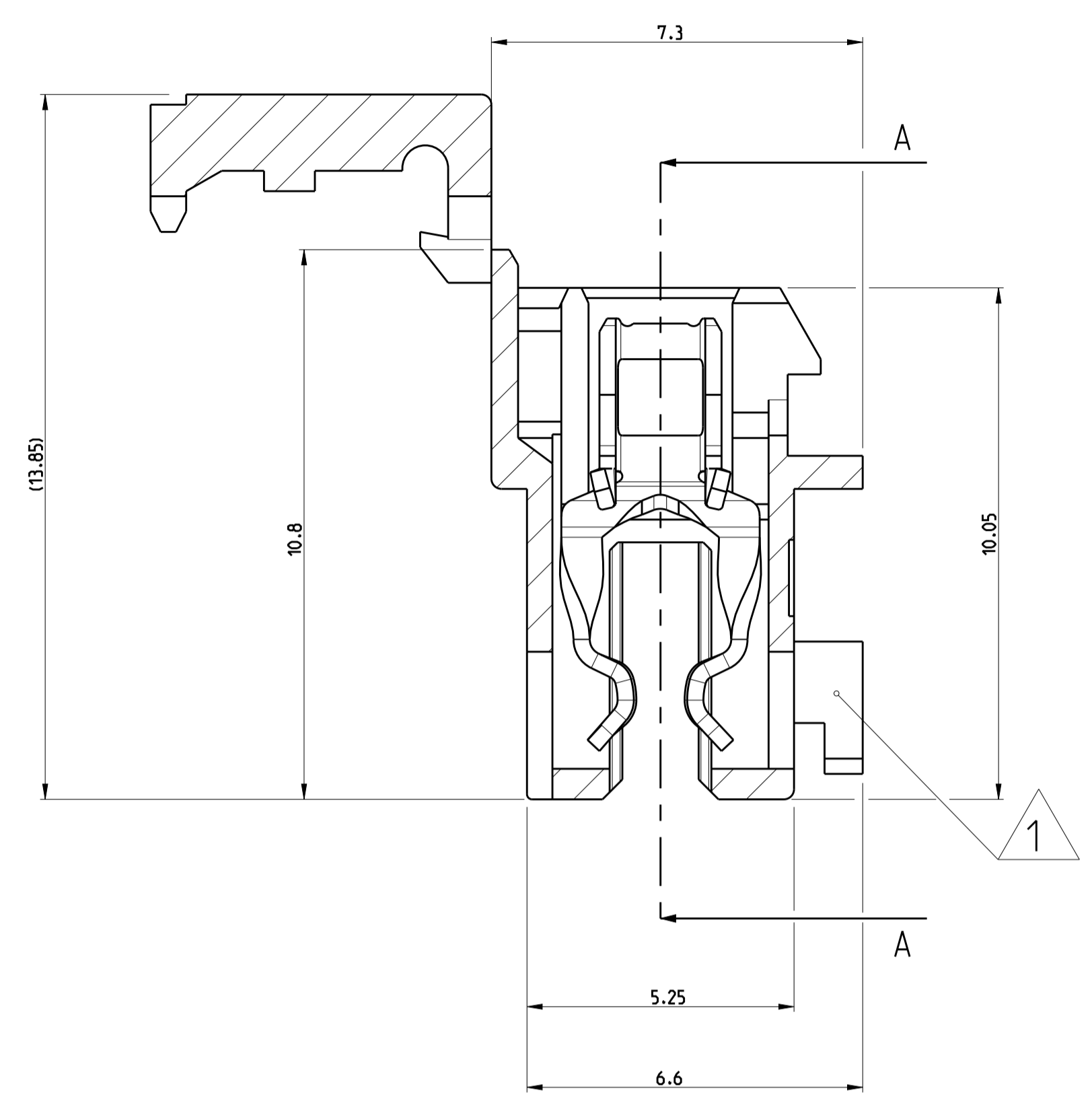
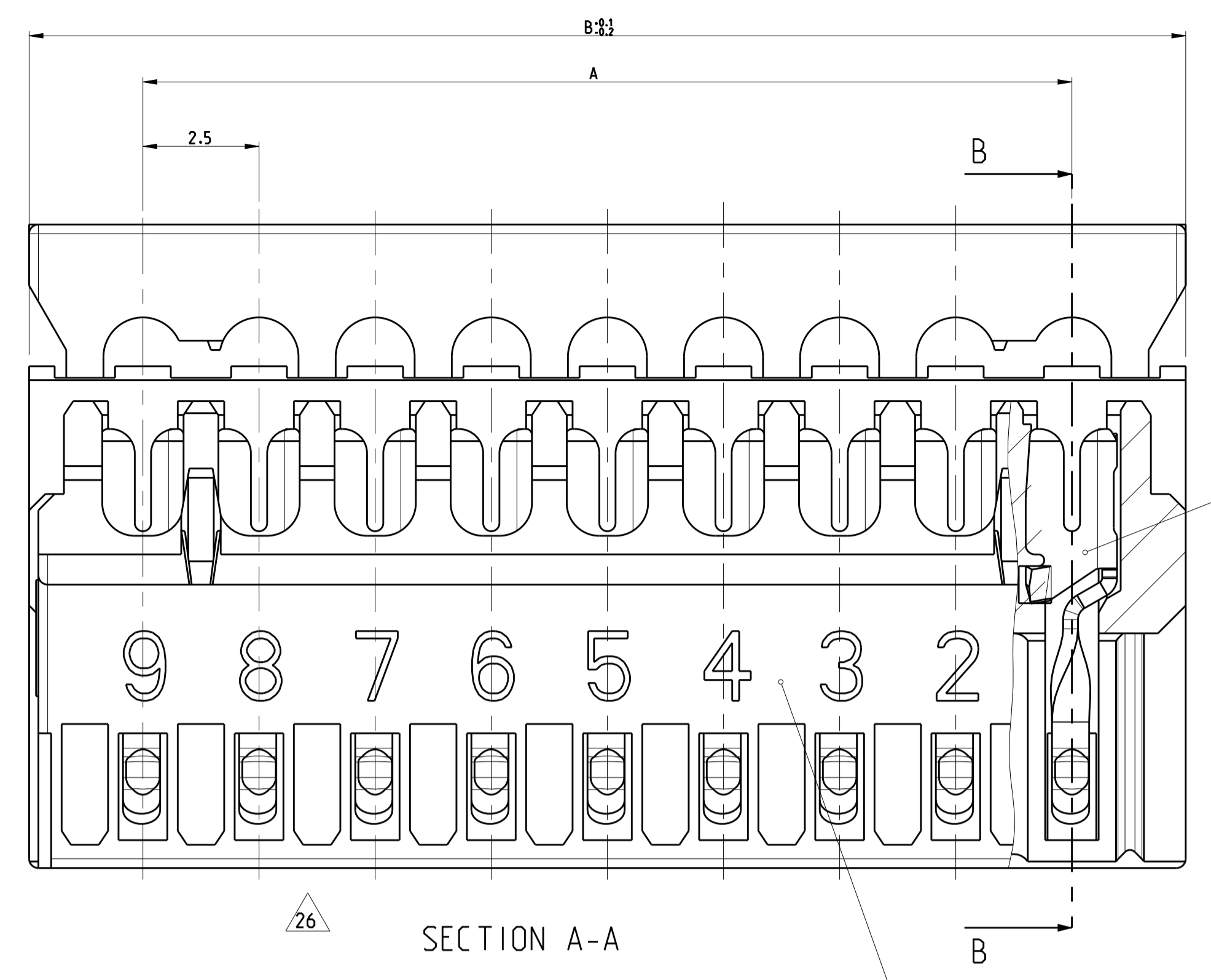
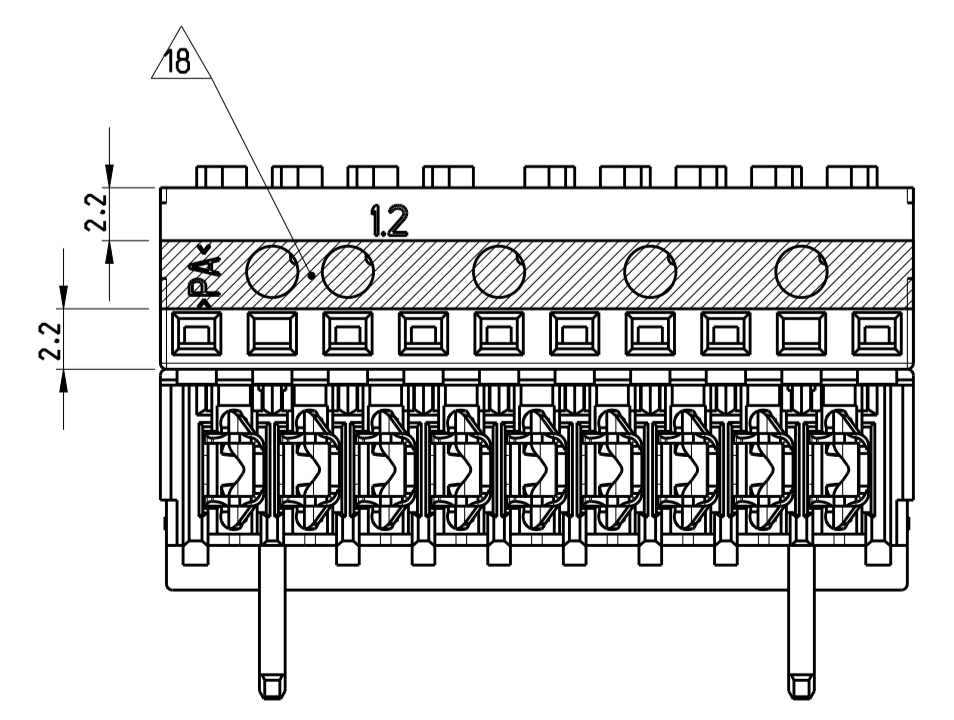
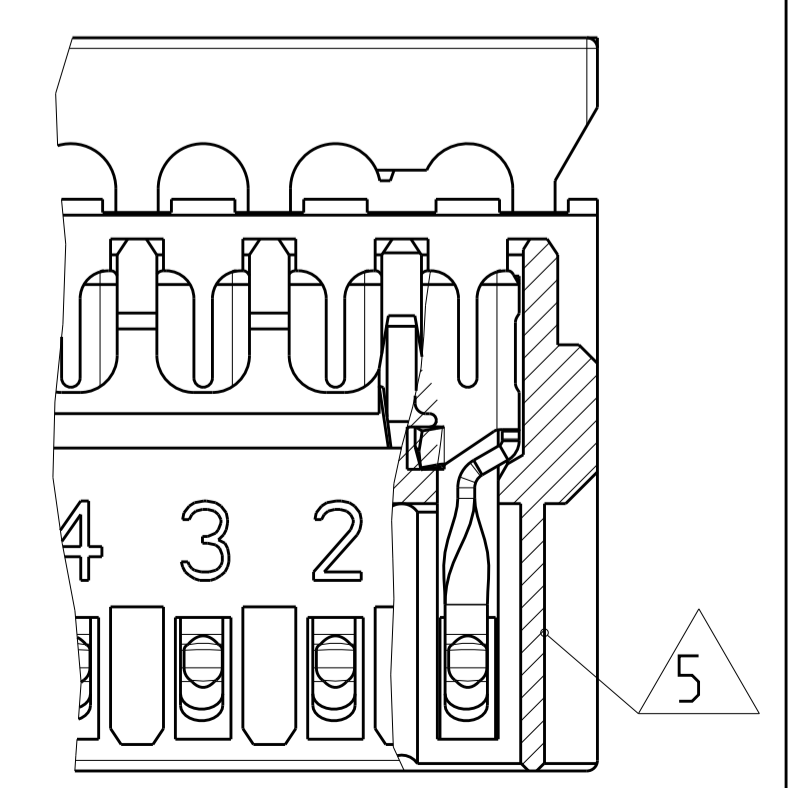
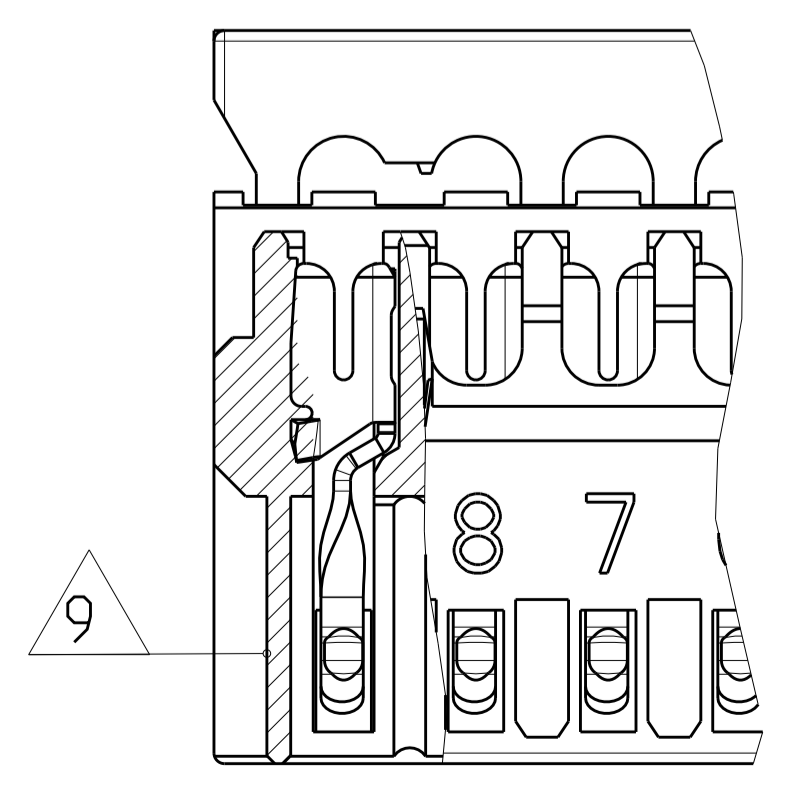


LOC	DIST	REVISIONS					
		P	LTR	DESCRIPTION	DATE	DWN	APVD
		D55	ECR-19-019006		12DEC2019	KD	FL
		D56	ECR-20-001606		10FEB2020	KD	FL
		D57	ECR-20-003410		09MAR2020	DC	FL
		D58	ECR-20-004006		23MAR2020	SM	FL



- 26 DIMENSION AVAILABE ONLY FOR PART X-2304525-X, X-2304526-X.
- 25 WITH SPECIAL CHAIN FEATURE
- 24 SIDE KEYING ON LAST CAVITY, THICK-1.5mm
- 23 -
- 19 SIDE KEYING, THICK, ON CAVITY No.1
- 18 COLOR STRIP ON COVER OF HOUSING, NOT THE COLOR OF HOUSING.
- 17 SLOT FOR KEYING, SLIM, BETWEEN POSITION
- 16 SLOT FOR KEYING, THICK, BETWEEN POSITION
- 15 KEYING, THICK, BETWEEN POSITION
- 14 COLOR CODE
- 13 TE LOGO
- 12 PRELIMINARY PART NOT RELEASED FOR PRODUCTION
- 11 KEYING, SLIM, BETWEEN POSITION
- 10 SLOT FOR SIDE KEYING, ON LAST CAVITY
- 9 SIDE KEYING, SLIM, ON LAST CAVITY
- 8 INCLUSIVE COPPER LOADING
- 7 PCB PREFERABLY CHAMFERED
- 6 SLOT FOR SIDE KEYING, ON CAVITY NO 1
- 5 SIDE KEYING, ON CAVITY NO. 1
- 4 WIRE RANGE: 0.22-0.35mm² SEE APPLICATION SPEC. 114-18467
- 3 IEC 60695-2-11 / IEC 60335-1 GLOW WIRE TEST 750 °C WITHOUT FLAME
- 2 MATING PART: PCB (WITH FRAMES ACC. RAST 2.5 E.G. PN 964 575/576)
TAB HEADER (FOR EXAMPLE: X-1971817/818-Y)
- 1 KEYING RIBS: CUTTING WITH TERMINATION MACHINE POSSIBLE



THIS DRAWING IS A CONTROLLED DOCUMENT.

DIMENSIONS:	TOLERANCES UNLESS OTHERWISE SPECIFIED:	DWN: H. Karabiyik 24MAY2002	CHK: B. Schnaubel 24MAY2002	APVD: T. Klenner 24MAY2002
mm	0 PLC ±0.2 1 PLC ±0.2 2 PLC ±0.2 3 PLC ±0.2 4 PLC ±0.2 ANGLES ±°	NAME: AMP DUOPLUG 2.5 MARK II FEMALE CONNECTOR 2-20 POSITION		
MATERIAL:	FINISH:	SIZE: 114-18467	CAGE CODE: 00779	DRAWING NO: C-1534796
Customer Drawing		SCALE: 10:1	SHEET: 1 of 4	REV: D58

THIS DRAWING IS UNPUBLISHED. RELEASED FOR PUBLICATION 2001
COPYRIGHT 2001 ALL RIGHTS RESERVED.

LOC		DIST		REVISIONS			
A	1	P	LTR	DESCRIPTION	DATE	DRN	APVD
				SEE SHEET 1			

GWEPT 750°C NO FLAME & UL94-V2, TIN PLATED VERSION (2-9 POSITION)

SL NO	PN	DESCRIPTION	MATERIAL	COLOUR/FINISH
9	20	24.9	2/3	5-1534796-9
9	20	24.9	4/5	2-1534796-9 Δ_{12}
9	20	24.9		3-1534796-9
9	20	24.9	X 3/4	4-1534796-9 Δ_{12}
Brown	8	17.5	2/3	9-1534796-8
8	17.5	22.4	X 3/4	8-1534796-8
8	17.5	22.4	3/4 X	7-1534796-8
8	17.5	22.4	3/4	6-1534796-8
8	17.5	22.4	X	5-1534796-8
8	17.5	22.4		3-1534796-8
8	17.5	22.4	5/6	2-1534796-8
7	15	19.9	2/3	7-1534796-7
BLUE	7	15	2/3	6-1534796-7
BLUE	7	15	2/3 X	4-1534796-7 Δ_{12}
7	15	19.9	5/6	5-1534796-7 Δ_{12}
7	15	19.9		3-1534796-7
6	12.5	17.4	2/3 X X	9-1534796-6 Δ_{12}
6	12.5	17.4	1/2	8-1534796-6 Δ_{12}
6	12.5	17.4	3/4	7-1534796-6 Δ_{12}
6	12.5	17.4	2/3	6-1534796-6
BLUE	6	12.5	4/5	2-1534796-6
6	12.5	17.4	4/5	5-1534796-6
6	12.5	17.4	X	4-1534796-6
6	12.5	17.4		3-1534796-6
RED	5	10	4/5	8-1534796-5
5	10	14.9	1/2	9-1534796-5
5	10	14.9	1/2	4-1534796-5 Δ_{12}
GREEN	5	10	3/4	7-1534796-5
BROWN	5	10	2/3	6-1534796-5
5	10	14.9	X	5-1534796-5 Δ_{12}
5	10	14.9		3-1534796-5
BROWN	5	10	1/2	0-1534796-5 Δ_{12}
4	7.5	12.4	X	0-2825353-4 Δ_{12}
RED	4	7.5	12.4	9-1534796-4
BLACK	4	7.5	12.4	8-1534796-4
BLACK	4	7.5	12.4	X 2-1534796-4 Δ_{12}
BLACK	4	7.5	12.4	3/4 5-1534796-4
4	7.5	12.4	1/2	6-1534796-4
4	7.5	12.4	X 1/2	1534796-4 Δ_{12}
4	7.5	12.4	3/4	7-1534796-4 Δ_{12}
4	7.5	12.4	X	4-1534796-4
4	7.5	12.4		3-1534796-4
RED	3	5	9.9	2-1534796-3
3	5	9.9	2/3	8-1534796-3 Δ_{12}
RED	3	5	9.9	9-1534796-3
3	5	9.9	2/3	6-1534796-3
3	5	9.9	1/2	7-1534796-3
3	5	9.9	2/3 X	4-1534796-3 Δ_{12}
3	5	9.9		3-1534796-3
2	2.5	7.4	1/2	1-1534796-2 Δ_{12}
2	2.5	7.4		1534796-2

GWEPT 750°C NO FLAME & UL94-V2, TIN PLATED VERSION (10-20 POSITION)

SL NO	PN	DESCRIPTION	MATERIAL	COLOUR/FINISH
	20	47.5	52.4	3-1534797-0 Δ_{12}
	19	45	49.9	5-1534797-9 Δ_{12}
	19	45	49.9	4-1534797-9
	19	45	49.9	3-1534797-9
	16	37.5	42.4	3-1534797-6
	15	35	39.9	3-1534797-5
	14	32.5	37.4	3-1534797-4
	13	30	34.9	3-1534797-3
	12	27.5	32.4	11/12 5-1534797-2 Δ_{12}
	12	27.5	32.4	X 4-1534797-2
	12	27.5	32.4	3-1534797-2
	12	27.5	32.4	X X 10/11 2/3 2-1534797-2
	11	25	29.9	5/6 7-1534797-1
	11	25	29.9	10/11 6-1534797-1 Δ_{12}
	11	25	29.9	10/11 X 5-1534797-1 Δ_{12}
	11	25	29.9	9/10 4-1534797-1
	11	25	29.9	3-1534797-1
	10	22.5	27.4	2/3 6-1534796-0
	10	22.5	27.4	8/9 4-1534796-0 Δ_{12}
	10	22.5	27.4	3-1534796-0
	10	22.5	27.4	7/8 7-1534796-0

COLOR CODE Δ_{14}	POS.	DIM A	DIM B	Δ_{24} KEYING	Δ_{19} KEYING	Δ_{15} KEYING	Δ_{11} KEYING	Δ_{9} KEYING	Δ_{5} KEYING	TE P/N Δ_{20}
2	SEE TABLE			CONTACT		CuSn		TINNED		
1	SEE TABLE			HOUSING		HIGH TEMP PLASTIC Δ_{3}		NATUR		
SL NO	PN	DESCRIPTION	MATERIAL	COLOUR/FINISH						

GWEPT 750°C NO FLAME & UL94-V2, SILVER PLATED VERSION

SL NO	PN	DESCRIPTION	MATERIAL	COLOUR/FINISH
	20	47.5	52.4	1-2319614-0
	13	30	34.9	2319614-3 Δ_{12}
	9	20	24.9	2319613-9 Δ_{12}
	6	12.5	17.4	2319613-6 Δ_{12}
	2	2.5	7.4	2319613-2 Δ_{12}

COLOR CODE Δ_{14}	POS.	DIM A	DIM B	Δ_{24} KEYING	Δ_{19} KEYING	Δ_{15} KEYING	Δ_{11} KEYING	Δ_{9} KEYING	Δ_{5} KEYING	TE P/N
2	SEE TABLE			CONTACT		CuSn		SILVERED		
1	SEE TABLE			HOUSING		HIGH TEMP PLASTIC Δ_{3}		NATUR		
SL NO	PN	DESCRIPTION	MATERIAL	COLOUR/FINISH						

COLOR CODE Δ_{14}	POS.	DIM A	DIM B	Δ_{24} KEYING	Δ_{19} KEYING	Δ_{15} KEYING	Δ_{11} KEYING	Δ_{9} KEYING	Δ_{5} KEYING	TE P/N Δ_{20}
2	SEE TABLE			CONTACT		CuSn		TINNED		
1	SEE TABLE			HOUSING		HIGH TEMP PLASTIC Δ_{3}		NATUR		
SL NO	PN	DESCRIPTION	MATERIAL	COLOUR/FINISH						

THIS DRAWING IS A CONTROLLED DOCUMENT.

Drn: H. Karabiyik, 24MAY2002
 Ck: B. Schnaubel, 24MAY2002
 Apvd: T. Klenner, 24MAY2002

STE TE Connectivity

NAME: AMP DUOPLUG 2.5 MARK II FEMALE CONNECTOR 2-20 POSITION

SIZE: A1 CAGE CODE: 00779 DRAWING NO: C=1534796

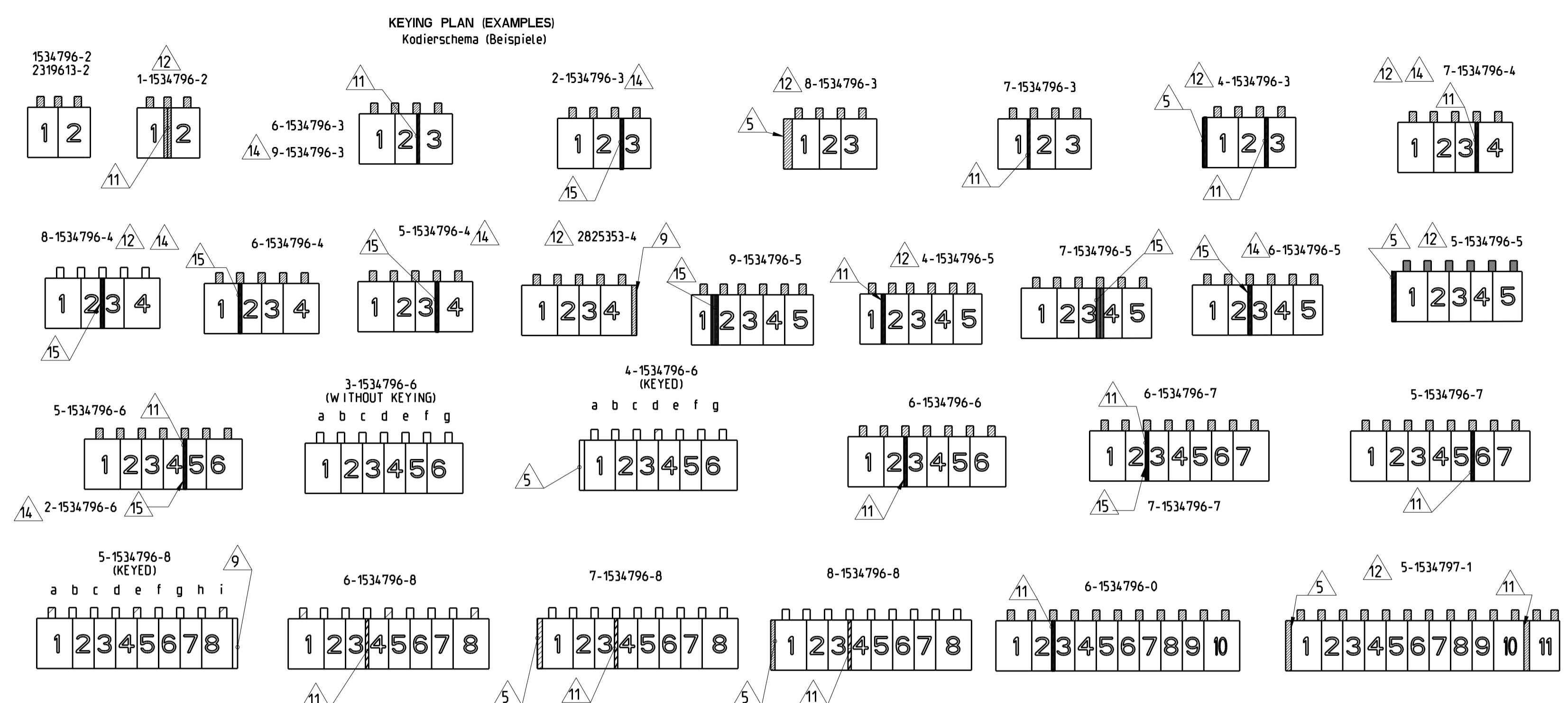
RESTRICTED TO: -

Customer Drawing SCALE: 10:1 SHEET: 2 OF 4 REV: 058

MATERIAL: - FINISH: - WEIGHT: -

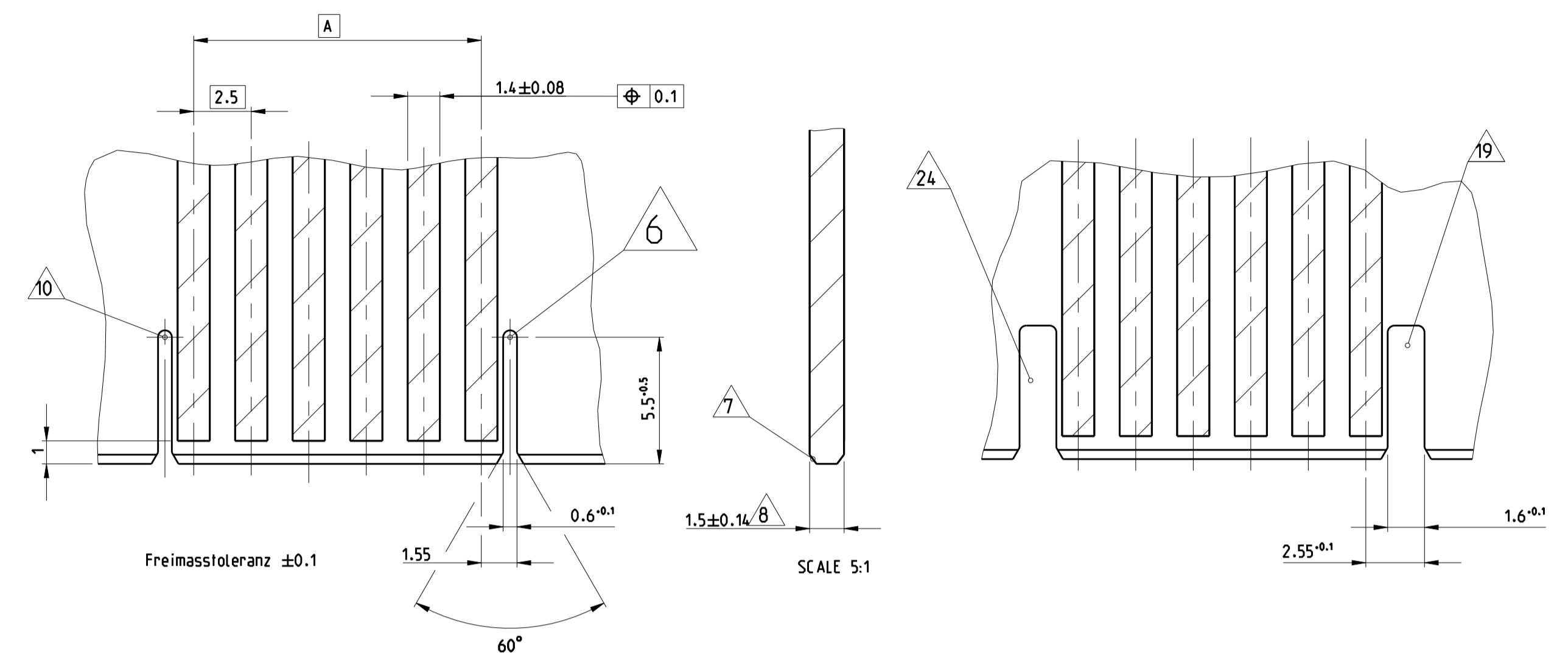
DIMENSIONS: mm TOLERANCES UNLESS OTHERWISE SPECIFIED: 0 PLC ±0.2, 1 PLC ±0.2, 2 PLC ±0.2, 3 PLC ±0.2, 4 PLC ±, ANGLES ±1*

LOC	DIST	REVISIONS			
P	LTR	DESCRIPTION	DATE	DRW	APVD
-	-	SEE SHEET 1	-	-	-

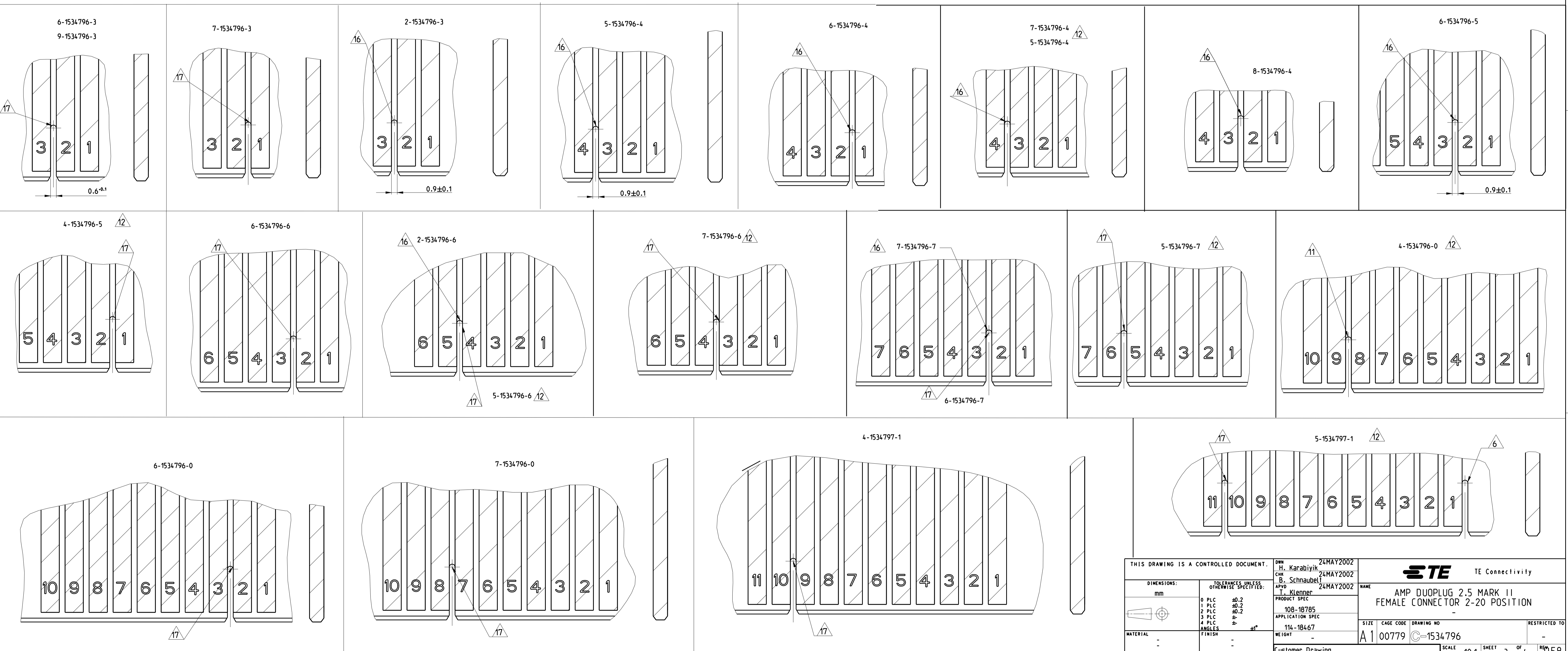


PCB LAYOUT KEYED / CONNECTED ONLY WITH ADDITIONAL FRAME

Leiterplattenanschluss kodiert / nur in Verbindung mit zusätzlichem Rahmen

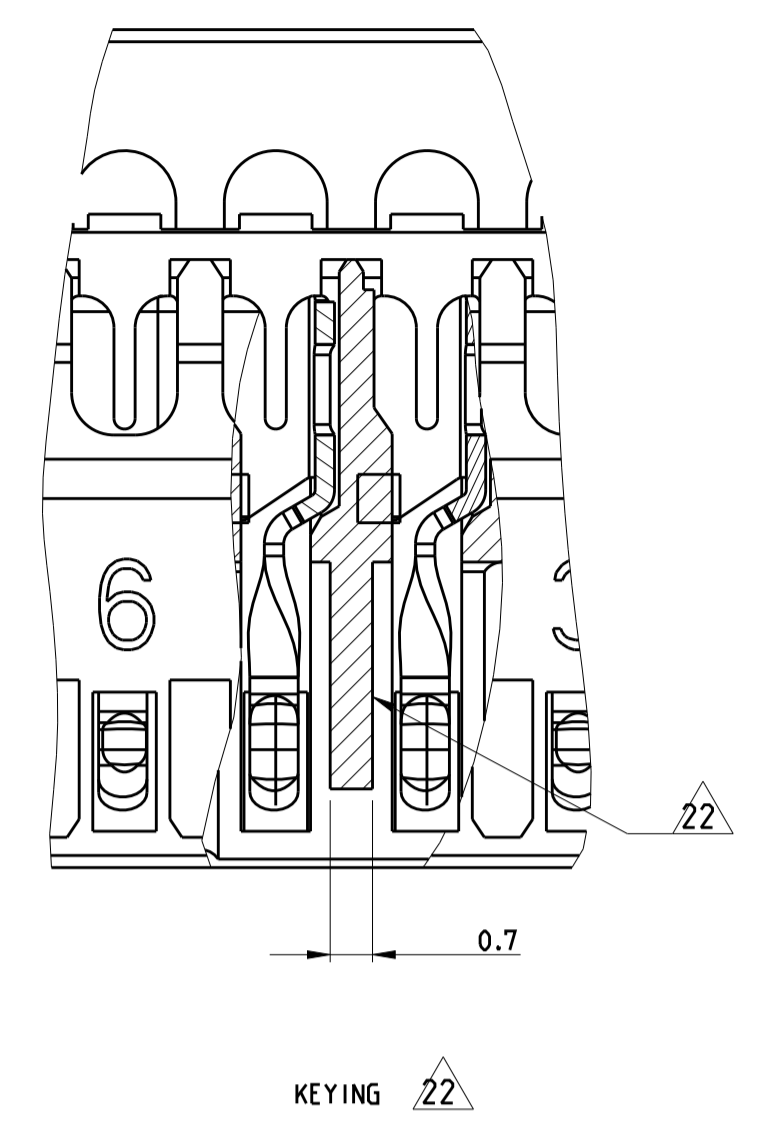
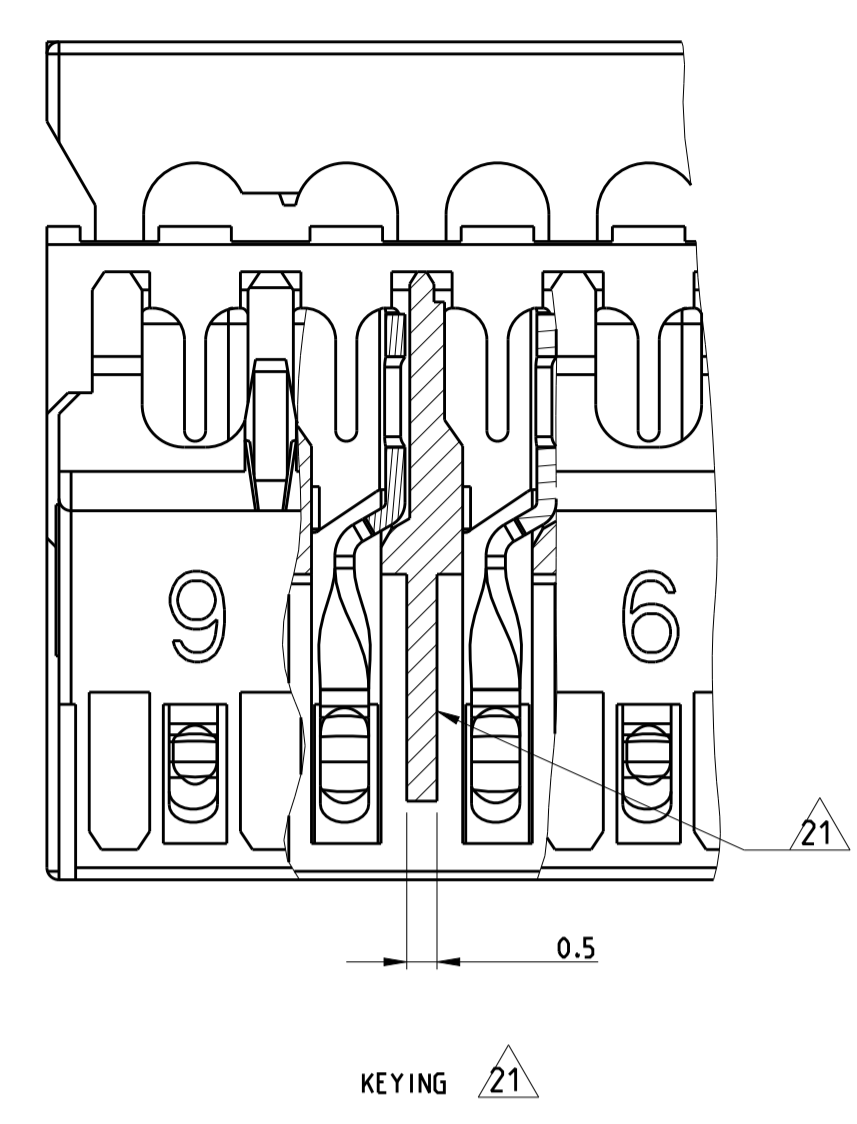


PCB LAYOUT FOR KEYING BETWEEN POSITION

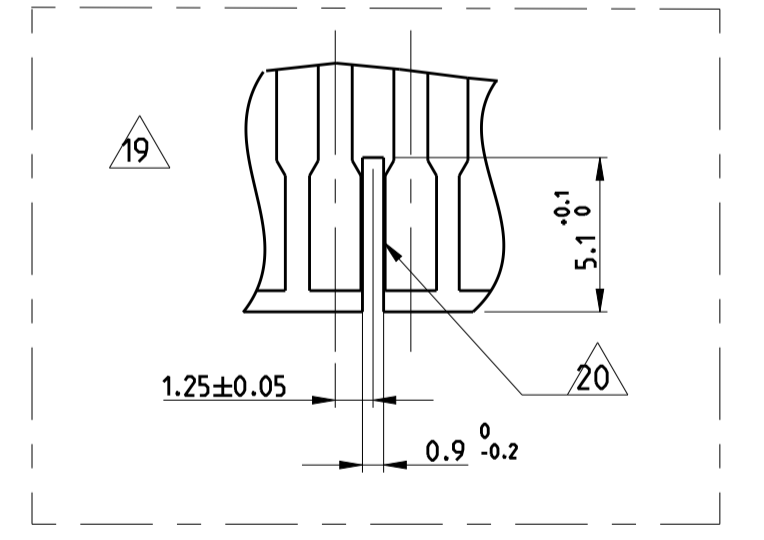


THIS DRAWING IS A CONTROLLED DOCUMENT.		DRW: H. Karabiyik 24MAY2002	 TE Connectivity
DIMENSIONS: mm		CHK: B. Schnaubel 24MAY2002	
 TOLERANCES UNLESS OTHERWISE SPECIFIED: 0 PLC ±0.2 1 PLC ±0.2 2 PLC ±0.2 3 PLC ±0.2 4 PLC ±0.2 ANGLES ±° FINISH ±*		NAME: AMP DUOPLUG 2.5 MARK 11 FEMALE CONNECTOR 2-20 POSITION PRODUCT SPEC: 108-18785 APPLICATION SPEC: 114-18467 WEIGHT: - MATERIAL: -	SIZE: 114-18467 CAGE CODE: A1 00779 DRAWING NO: C-1534796 SHEET: 3 OF 4 SCALE: 10:1 RESTRICTED TO: 058

LOC	DIST	P	LYR	REVISIONS	DATE	DWN	APVD
A1	-	-	-	SEE SHEET 1	-	-	-



- 22 KEYING. SPECIAL THICK. BETWEEN POSITION
- 21 KEYING. SPECIAL THIN. BETWEEN POSITION
- 20 SLOT FOR KEYING SPECIAL. BETWEEN POSITION
- 19 RECOMMENDED PCB CUTOFF DIMENSION FOR THE KEYING SPECIAL. BETWEEN POSITION



GWEPT 750°C NO FLAME & UL94-V0. TIN PLATED VERSION										
Color Code	POS. Polzahl	DIM A	DIM B	KEYING	KEYING	KEYING	KEYING	KEYING	KEYING	PN Bestell-Nr.
14	32.5	37.4								2304526-4 12
12	27.5	32.4								2304526-2
10	22.5	27.4								1-2304525-0
9	20	24.9	-	-	-	-	-	-	-	3-2304525-9
Blue	8	17.5	22.4	-	-	-	-	-	-	2-2304525-8
8	17.5	22.4	-	-	-	-	-	-	-	1-2304525-8
Brown	8	17.5	22.4	-	-	-	-	2/3	-	2304525-8
7	15	19.9	-	-	-	-	-	-	-	2304525-7
Black	6	12.5	17.4	-	-	-	-	-	-	4-2304525-6
GREEN	6	12.5	17.4	-	-	-	-	1/2	-	3-2304525-6 12
Red	6	12.5	17.4	-	-	-	-	2/3	-	2-2304525-6
6	12.5	17.4	-	-	-	-	-	-	-	1-2304525-6
Blue	6	12.5	17.4	-	-	-	-	4/5	-	2304525-6
5	10	14.9	4/5	-	-	-	-	-	-	5-2304525-5
5	10	14.9	-	-	-	1/2	-	-	-	4-2304525-5
Green	5	10	14.9	-	-	-	-	3/4	-	2-2304525-5
Brown	5	10	14.9	-	-	-	-	2/3	-	1-2304525-5
5	10	14.9	-	-	-	-	-	-	-	2304525-5
Black	4	7.5	12.4	-	-	3/4	-	-	-	4-2304525-4
Blue	4	7.5	12.4	-	-	-	-	-	-	3-2304525-4
4	7.5	12.4	-	-	-	-	-	-	-	2-2304525-4
Brown	4	7.5	12.4	-	-	-	-	1/2	-	1-2304525-4
Black	4	7.5	12.4	-	-	-	-	3/4	-	2304525-4
Red	3	5	9.9	-	-	2/3	-	-	-	3-2304525-3
3	5	9.9	-	-	-	-	-	-	X	2-2304525-3 12
3	5	9.9	-	-	-	-	-	-	-	1-2304525-3
Black	3	5	9.9	-	-	1/2	-	-	-	2304525-3

GWEPT 750°C NO FLAME & UL94-V0. SILVER PLATED VERSION										
Color Code	POS. Polzahl	DIM A	DIM B	KEYING	KEYING	KEYING	KEYING	KEYING	KEYING	PN Bestell-Nr.
6	12.5	17.4	-	-	-	-	-	-	-	1-2369988-6 12
4	7.5	12.4	-	-	-	-	-	-	-	2-2369988-4 12
3	5	9.9	-	-	-	-	-	-	-	1-2369988-3 12

2	SEE TABLE	CONTACT	CuSn	TINNED
1	SEE TABLE	HOUSING	HIGH TEMP PLASTIC 3	NATUR
SL NO	PN	DESCRIPTION	MATERIAL	COLOUR/FINISH

2	SEE TABLE	CONTACT	CuSn	SILVERED
1	SEE TABLE	HOUSING	HIGH TEMP PLASTIC 3	NATUR
SL NO	PN	DESCRIPTION	MATERIAL	COLOUR/FINISH

THIS DRAWING IS A CONTROLLED DOCUMENT.

DIMENSIONS: mm

TOLERANCES UNLESS OTHERWISE SPECIFIED:

0 PLC	±0.2
1 PLC	±0.2
2 PLC	±0.2
3 PLC	±0.2
4 PLC	±0.2
ANGLES	±0.1
FINISH	±0.1

MATERIAL: -

Customer Drawing

DWN: H. Karabiyik 24MAY2002
 CHK: B. Schnaubel 24MAY2002
 APVD: T. Klenner 24MAY2002

NAME: AMP DUOPLUG 2.5 MARK II FEMALE CONNECTOR 2-20 POSITION

PRODUCT SPEC: 108-18785
 APPLICATION SPEC: 116-18467

SIZE: A1
 CAGE CODE: 00779
 DRAWING NO: 1534796

RESTRICTED TO: -

SCALE: 10:1 SHEET 4 OF 4