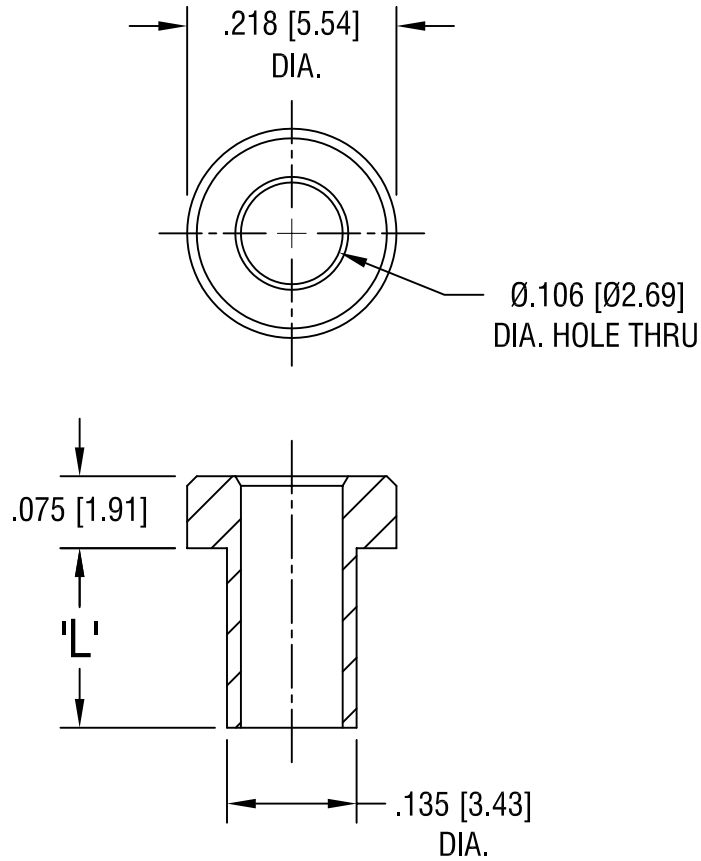


THIS DOCUMENT IS THE PROPERTY OF
KEYSTONE ELECTRONICS CORP. AND
SHALL NOT BE REPRODUCED, DISTRIBUTED
OR USED AS A BASIS FOR MANUFACTURE
WITHOUT PRIOR WRITTEN PERMISSION
FROM KEYSTONE ELECTRONICS CORP.



PART NO.	'L' DIM.
476-2	.125 [3.18]
476-3	.165 [4.19]
476-4	.187 [4.75]

KEYSTONE ELECTRONICS CORP.

ASTORIA, N.Y. 11105-2017

PART NAME

NON-INSULATED MINIATURE JACK

MATERIAL

BRASS

FINISH

TIN PLATE

DRN BY

BOONE

DATE

2.16.82

APP'D

LN

SCALE

5X

3.26.08

CHANGE AS PER ECN 08-097

B

8.30.04

CHANGE AS PER ECN 04-078

A

TOLERANCES

INCH [MM]

DECIMAL

± .005 [± 0.15]

ANGULAR

± 1°

UNLESS OTHERWISE SPECIFIED

CODE

C

DWG NO.

476-

DATE

DESCRIPTION

REV.

Mouser Electronics

Authorized Distributor

Click to View Pricing, Inventory, Delivery & Lifecycle Information:

[Keystone Electronics:](#)

[476-4](#)