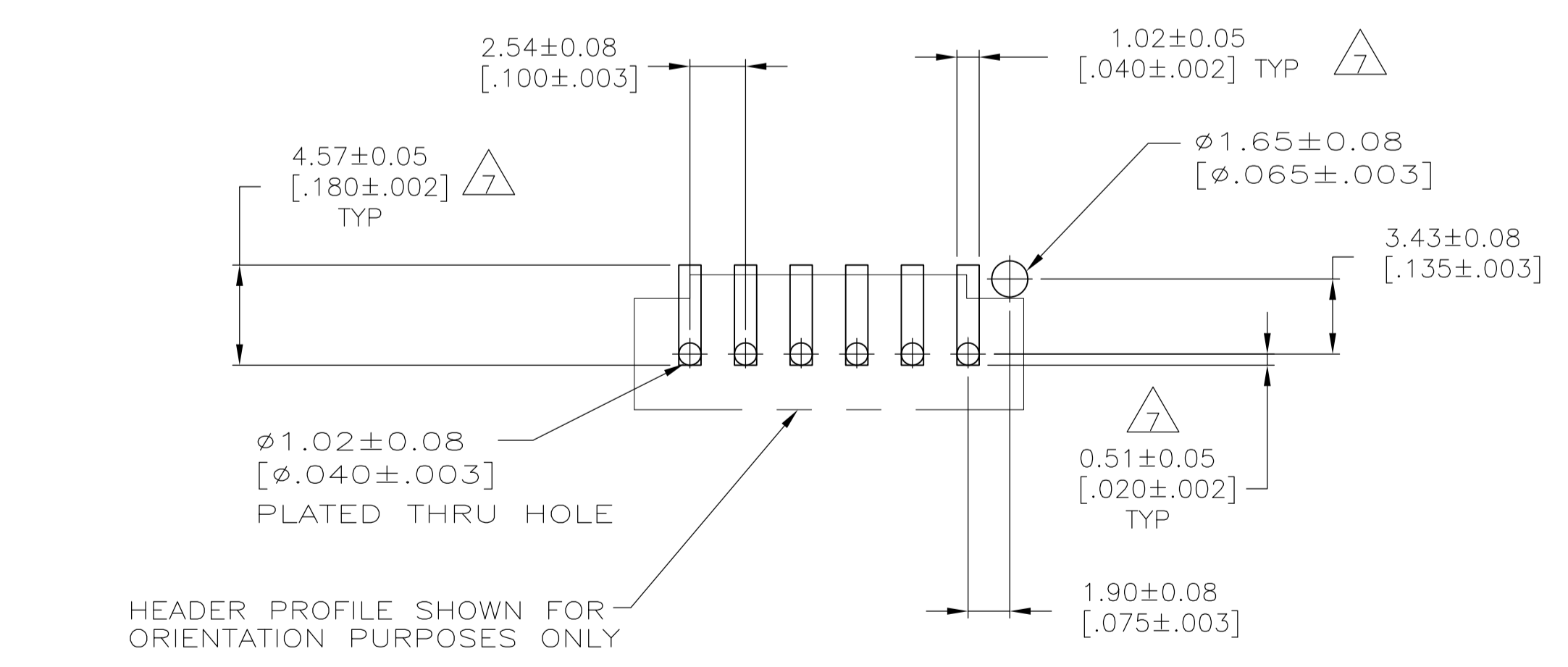
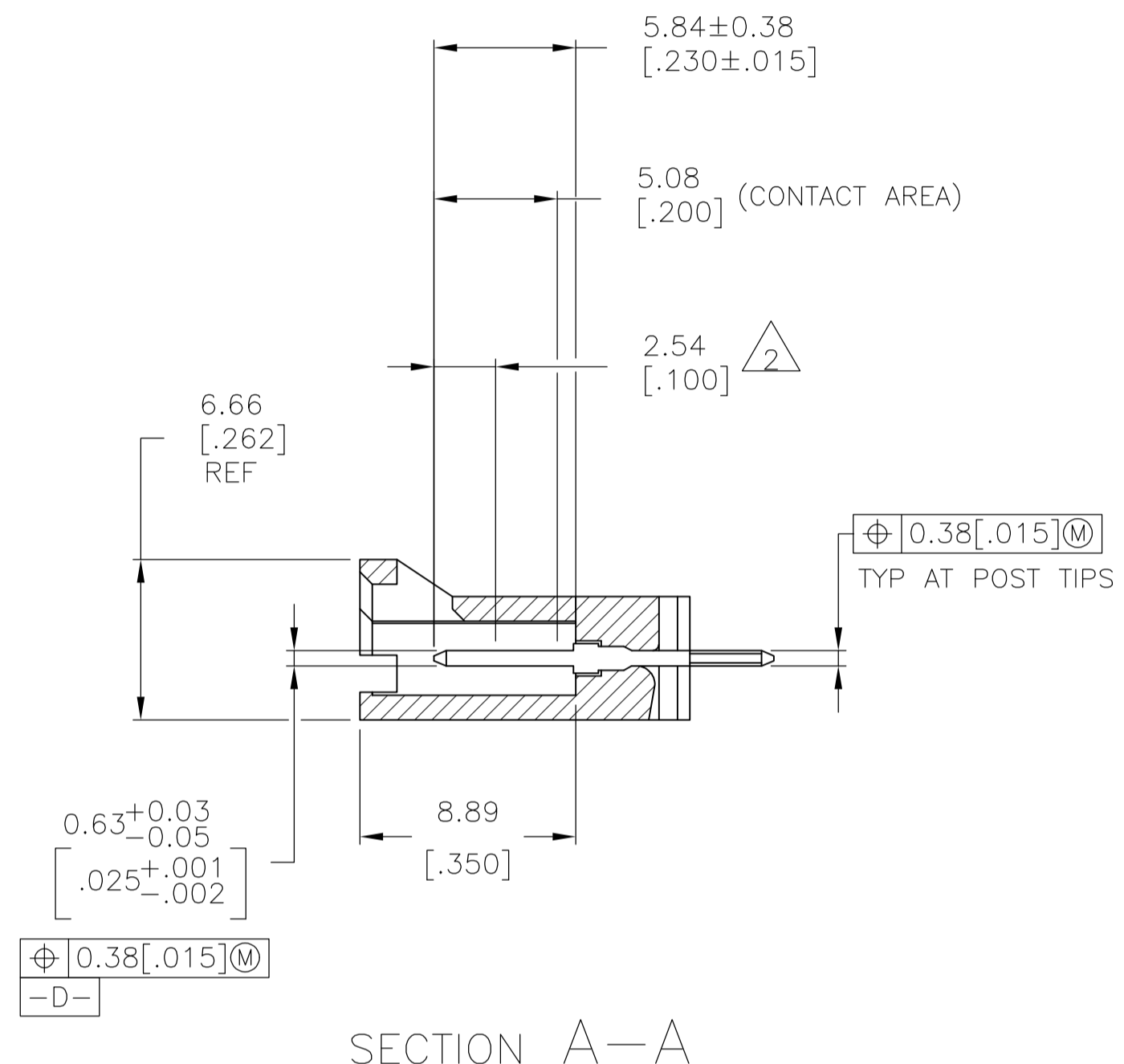
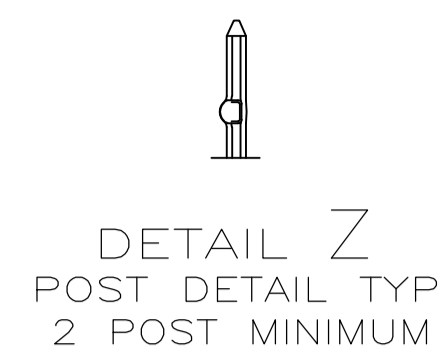
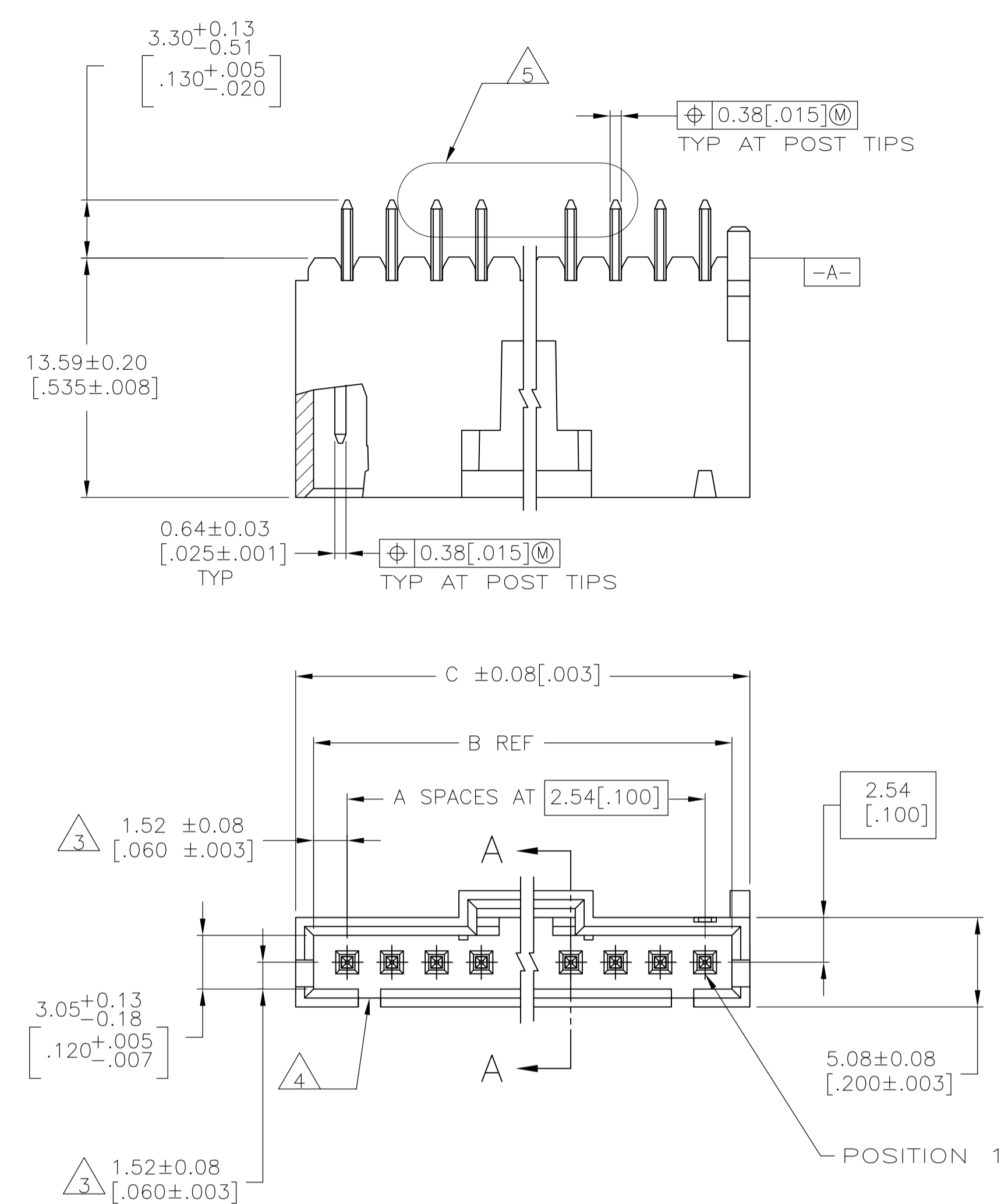


| REVISIONS |                           |             |           |     |      |
|-----------|---------------------------|-------------|-----------|-----|------|
| P         | LTR                       | DESCRIPTION | DATE      | DMN | APVD |
| L1        | REVISED PER ECO-11-004917 |             | 11MAR11   | RK  | HMR  |
| M         | REVISED PER ECO-17-002212 |             | 10APR2017 | RS  | MM   |



RECOMMENDED PC BOARD MOUNTING DIMENSIONS  
RECOMMENDED STENCIL THICKNESS = 0.25[.010]

- 1 FINISH: .00038[.000015] GOLD IN THE CONTACT AREA, .00254[.000100] MATTE TIN-LEAD ON REMAINDER OF CONTACT, ALL OVER .00127[.000050] NICKEL.
- 2 POINT OF MEASUREMENT FOR PLATING THICKNESS.
- 3 THE NOTED DIMENSIONS APPLY FROM THE BASIC DIMENSION CENTER LINE (NOT THE POST CENTER LINE) TO THE SURFACE INDICATED.
- 4 ONE POLARIZATION SLOT FOR 2 AND 3 POSITION ASSEMBLIES ONLY.
- 5 SELECT POST TAILS FORMED TO PROVIDE CONNECTOR HOLD DOWN UNTIL SOLDERED, CONFIGURATION ACCEPTS 0.69[.027]-2.03[.080] THICK PRINTED CIRCUIT BOARD. (SEE DETAIL Z).
- 6 PARTS ARE PACKAGED IN GANG OF TUBES.
- 7 DIMENSIONS NOTED ARE FOR SOLDER STENCIL LAYOUT FOR USE WITH 1.58±0.20[.062±.008] THICK PRINTED CIRCUIT BOARDS.
- 8 MATERIAL- HOUSING: LCP, COLOR-BLACK. POSTS: BRASS.
- 9 FINISH: .00038[.000015] GOLD IN THE CONTACT AREA, .00254[.000100] MATTE TIN-LEAD ON REMAINDER OF CONTACT, ALL OVER .00127[.000050] NICKEL.

|         |               |               |    |             |            |
|---------|---------------|---------------|----|-------------|------------|
| 9       | 32.89 [1.295] | 30.99 [1.220] | 11 | 12          | 6-104809-1 |
| 9       | 30.35 [1.195] | 28.45 [1.120] | 10 | 11          | 6-104809-0 |
| 9       | 27.81 [1.095] | 25.91 [1.020] | 9  | 10          | 5-104809-9 |
| 9       | 25.27 [.995]  | 23.37 [.920]  | 8  | 9           | 5-104809-8 |
| 9       | 22.73 [.895]  | 20.83 [.820]  | 7  | 8           | 5-104809-7 |
| 9       | 20.19 [.795]  | 18.29 [.720]  | 6  | 7           | 5-104809-6 |
| 9       | 17.65 [.695]  | 15.75 [.620]  | 5  | 6           | 5-104809-5 |
| 9       | 15.11 [.595]  | 13.21 [.520]  | 4  | 5           | 5-104809-4 |
| 9       | 12.57 [.495]  | 10.67 [.420]  | 3  | 4           | 5-104809-3 |
| 9       | 10.03 [.395]  | 8.13 [.320]   | 2  | 3           | 5-104809-2 |
| 9       | 7.49 [.295]   | 5.59 [.220]   | 1  | 2           | 5-104809-1 |
| 1       | 32.89 [1.295] | 30.99 [1.220] | 11 | 12          | 1-104809-1 |
| 1       | 30.35 [1.195] | 28.45 [1.120] | 10 | 11          | 1-104809-0 |
| 1       | 27.81 [1.095] | 25.91 [1.020] | 9  | 10          | 104809-9   |
| 1       | 25.27 [.995]  | 23.37 [.920]  | 8  | 9           | 104809-8   |
| 1       | 22.73 [.895]  | 20.83 [.820]  | 7  | 8           | 104809-7   |
| 1       | 20.19 [.795]  | 18.29 [.720]  | 6  | 7           | 104809-6   |
| 1       | 17.65 [.695]  | 15.75 [.620]  | 5  | 6           | 104809-5   |
| 1       | 15.11 [.595]  | 13.21 [.520]  | 4  | 5           | 104809-4   |
| 1       | 12.57 [.495]  | 10.67 [.420]  | 3  | 4           | 104809-3   |
| 1       | 10.03 [.395]  | 8.13 [.320]   | 2  | 3           | 104809-2   |
| 1       | 7.49 [.295]   | 5.59 [.220]   | 1  | 2           | 104809-1   |
| PLATING | C             | B             | A  | NO. OF POSN | PART NO.   |

THIS DRAWING IS A CONTROLLED DOCUMENT.

APPROVED: R. BROWN, 09FEB01  
CHK: K. WRIGHT, 09FEB01  
NAME: PLZD HDR ASSY, AMPMODU MTE, VERTICAL SINGLE ROW, 2.54[.100] CL, 0.64[.025] SQ POSTS, WITH LATCHING & HOLD DOWN

PRODUCT SPEC: PLZD HDR ASSY, AMPMODU MTE, VERTICAL SINGLE ROW, 2.54[.100] CL, 0.64[.025] SQ POSTS, WITH LATCHING & HOLD DOWN

APPLICATION SPEC: PLZD HDR ASSY, AMPMODU MTE, VERTICAL SINGLE ROW, 2.54[.100] CL, 0.64[.025] SQ POSTS, WITH LATCHING & HOLD DOWN

SIZE: A1, 00779, 104809  
WEIGHT: -  
CUSTOMER DRAWING

SCALE: 4:1, SHEET: 1 OF 1, REV: M

# Mouser Electronics

Authorized Distributor

Click to View Pricing, Inventory, Delivery & Lifecycle Information:

[TE Connectivity:](#)

[5-104809-6](#)