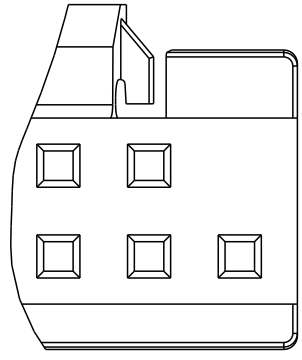
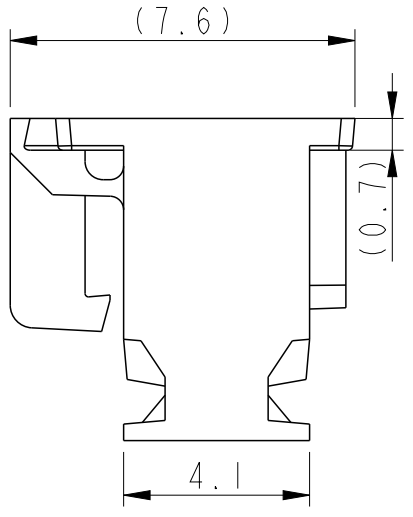
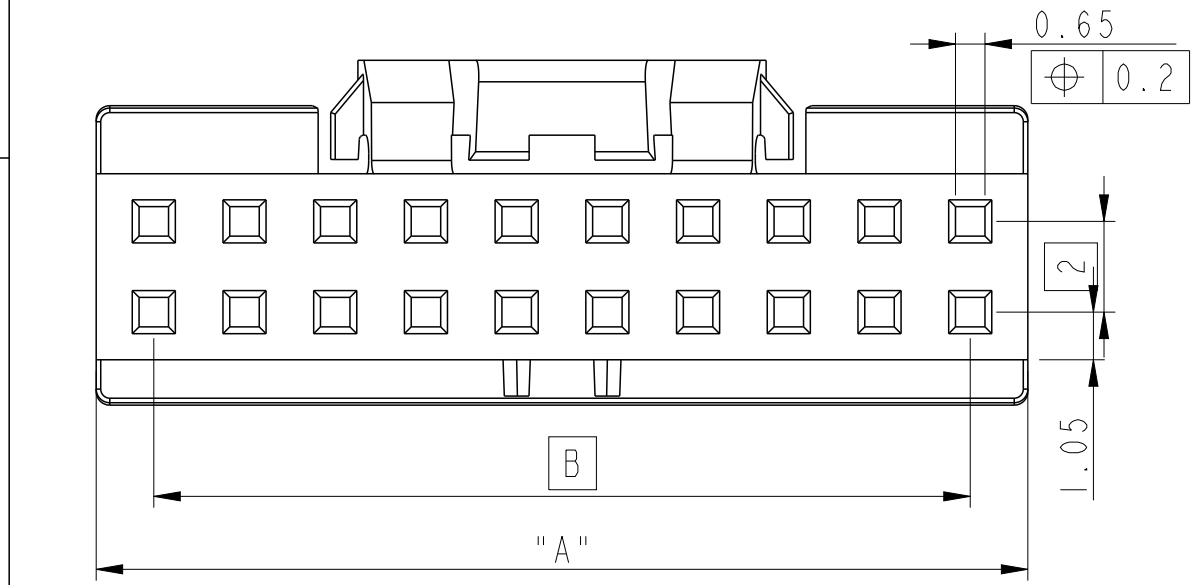
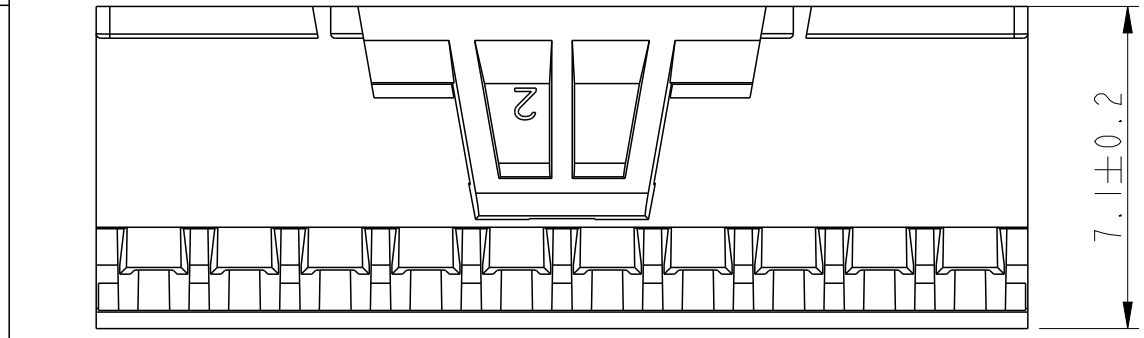
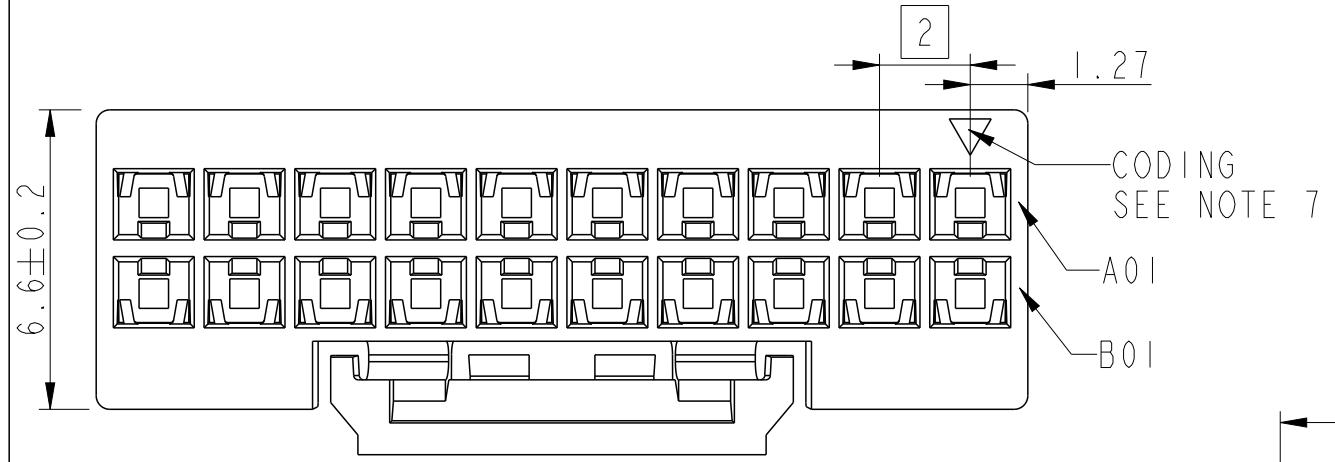


# 10073599-YXX-ZZZLF

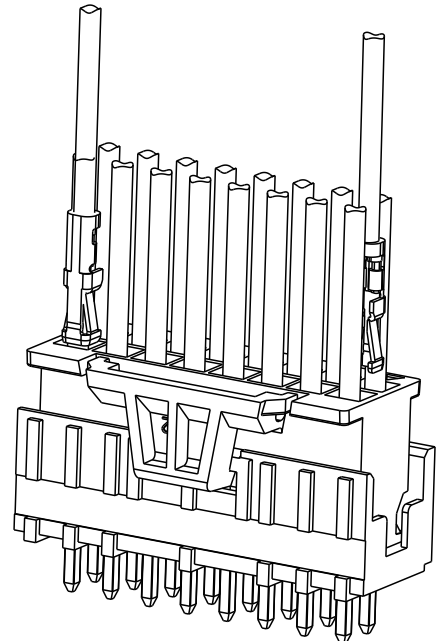
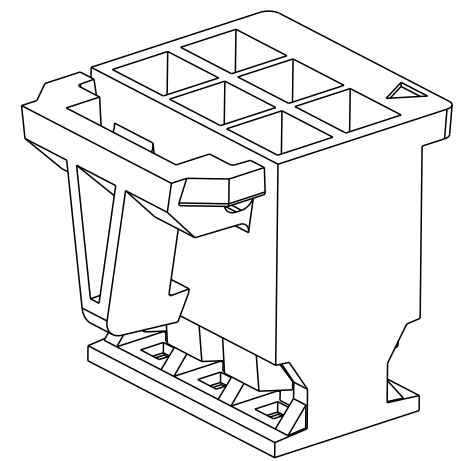


POLARIZATION CODE (OPTIONAL) SEE NOTE 7

TOTAL NUMBER OF CONTACTS

0 : COLOR BLACK  
1 : COLOR CREAM

PART NUMBER	NBR OF POS	A+/-0.2	B
10073599-Y06LF	2x3	6.54	4
10073599-Y08LF	2x4	8.54	6
10073599-Y10LF	2x5	10.54	8
10073599-Y12LF	2x6	12.54	10
10073599-Y14LF	2x7	14.54	12
10073599-Y16LF	2x8	16.54	14
10073599-Y18LF	2x9	18.54	16
10073599-Y20LF	2x10	20.54	18
10073599-Y22LF	2x11	22.54	20
10073599-Y24LF	2x12	24.54	22
10073599-Y26LF	2x13	26.54	24
10073599-Y28LF	2x14	28.54	26
10073599-Y30LF	2x15	30.54	28
10073599-Y32LF	2x16	32.54	30
10073599-Y34LF	2x17	34.54	32
10073599-Y36LF	2x18	36.54	34
10073599-Y38LF	2x19	38.54	36
10073599-Y40LF	2x20	40.54	38
10073599-Y42LF	2x21	42.54	40
10073599-Y44LF	2x22	44.54	42
10073599-Y46LF	2x23	46.54	44
10073599-Y48LF	2x24	48.54	46
10073599-Y50LF	2x25	50.54	48



DESIGN FOR 10073599-006LF & 10073599-008LF ONLY

APPLICATION SEE NOTE 2 & 3

- NOTES :
- MATERIAL : PA6.6 25% GLASSFILLED, UL-94V-0
  - FOR USE WITH MINITEK CTW CONTACTS:  
AWG 26-30, SERIE 77138  
AWG 22-24 SERIE 10044403
  - TO BE MATED WITH MINITEK HEADERS SERIES 98414 / 98416 / 98424 AND 10075025.
  - PRODUCT SPECIFICATIONS : GS12-415
  - PACKAGING BULK.
  - RoHS COMPLIANT, THE PRODUCT IS NOT INTENDED TO BE EXPOSED TO ANY SOLDER PROCESS.
  - THE TRIANGLE INDICATES THE FIRST POSITION
  - PRODUCT MEETS EUROPEAN UNION DIRECTIVES AND OTHERS COUNTRY REGULATIONS AS PER GS-022-008.
  - FOR POLARIZATION, NUMBER THE CAVITY NUMBER TO BE SPECIFIED.  
EXAMPLE: -B01 = CAVITY 01 UNFILLED.  
OMIT FORM PART NUMBER IS FEATURE NOT APPLICABLE.

spec ref	-	dr	Benoit Vernier	2015/10/26	projection	mm	size	A3	scale	6:1
tolerance std	ISO 406 ISO 1101	eng	Julien Fabre	2016/03/02			ecn no	ELX-F-23417-1	rel level	Released
TOLERANCES UNLESS OTHERWISE SPECIFIED		chr	J Dalibard	2016/03/02						
surface	linear	appr	J M Maire	2016/03/02	product family					
	angular									



MINITEK CTW  
ACTIVE LATCH HOUSING

dwg no 10073599  
rev C

Product - Customer Drw sheet 1 of 1

# Mouser Electronics

Authorized Distributor

Click to View Pricing, Inventory, Delivery & Lifecycle Information:

## [FCI / Amphenol:](#)

[10073599-040LF](#) [10073599-048LF](#) [10073599-050LF](#) [10073599-028LF](#) [10073599-036LF](#) [10073599-038LF](#)  
[10073599-012LF](#) [10073599-022LF](#) [10073599-046LF](#) [10073599-014LF](#) [10073599-008LF](#) [10073599-030LF](#)  
[10073599-006LF](#) [10073599-032LF](#) [10073599-016LF](#) [10073599-034LF](#) [10073599-044LF](#) [10073599-010LF](#)  
[10073599-020LF](#) [10073599-026LF](#) [10073599-018LF](#) [10073599-042LF](#) [10073599-024LF](#) [10073599-120LF](#)  
[10073599-106LF](#) [10073599-112LF](#) [10073599-116LF](#) [10073599-122LF](#) [10073599-144LF](#) [10073599-110B01LF](#)  
[10073599-142LF](#) [10073599-110LF](#) [10073599-132LF](#) [10073599-124LF](#) [10073599-006-A03LF](#) [10073599-108LF](#)